



REV.	ECN NO.	REVISED	DATE

## NOTE:

## 1.MATERIAL:

a.HOUSING:PP RESIN BLACK

b.CONTACT:BRONZE

(SURFACE PLATING: NI100u"~120u")

SEE ORDERING INFORMATION

## 2.ELECTRIC:

a.CONTACT RESISTANCE: 30 MILLIOHMS MAX

b.INSULATION RESISTANCE: 1000 MEGA OHMS MIN

c.DIELECTRIC VOLTAGE: 500V AC ONE SEC LEVEL

d.OPERATING TEMPERATURE: -10°C~ +80°C

## ORDERING INFORMATION

BH-AAA-A\*\*\*001

电池盒

电池型号

DIP 90° TYPE

PLATING:

A-Au1U"

J-Ni100U"~120U"

K-Sn100U"~120U"

MATERIAL:

1A-PP BLACK

1B-PA66 BLACK

2A-PPA BROWN

2B-PPA BLACK

3A-PPS BROWN

3B-PPS BLACK

4A-LCP WHITE

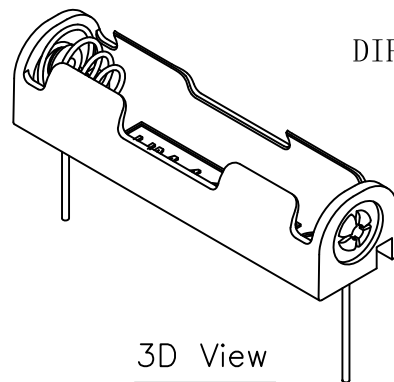
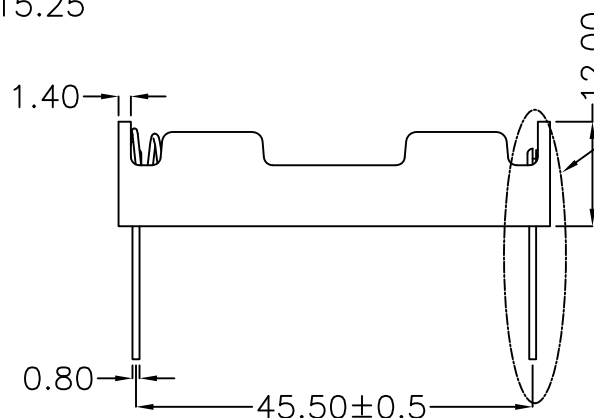
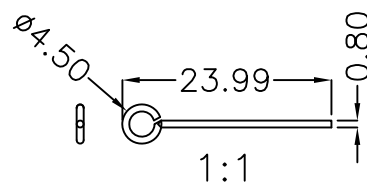
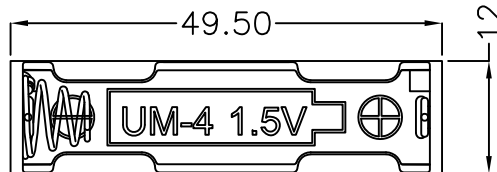
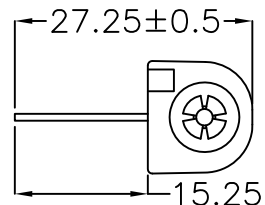
4B-LCP BLACK

5A-PA9T BLACK

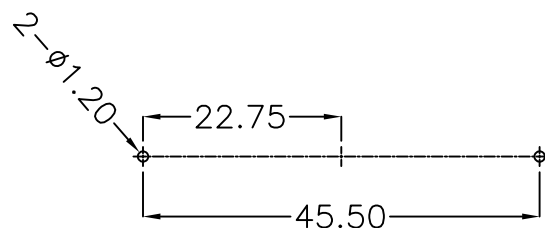
工程部

2019-03-27

LQ. HUANG



3D View

PCB Layout Diagram  
Top ViewUNLESS OTHERWISE  
SPECIFIED TOLERANCES

MYOUNG 美阳 www.meiyangdz.com

DECIMALS: ANGLES:  
X :±0.30 X :±1°  
X.X :±0.25 X.X :±0.5°  
X.XX :±0.20  
X.XXX :±0.10

DSND YangFeng DATE 2018-09-09

CHKD ZhouRuicai DATE 2018-09-09

APVD XueShunyong DATE 2018-09-09

TITLE:

电池盒BH-AAA-03 DIP

PART NO.:

BH-AAA-A1AJ001

WEIGHT:

SCALE: SIZE: A4 VIEW:

SHEET 1 OF 1

UNIT: mm REV.: A/1

OBJECT: MY DRAW NO.:WD-CP-0043

NO.	PART NAME	Q'TY	MATERIAL	PLATING & COLOR
2	TERMINAL	1	BRONZE, $\phi$ 0.8MM	Ni-Plating
1	HOUSING	1	PP Resin	BLACK

NO.	PART NAME	Q'TY	MATERIAL	PLATING & COLOR
-----	-----------	------	----------	-----------------