



REV.	ECN NO.	REVISED	DATE

NOTE:

1.MATERIAL:

- a.HOUSING:PP BLACK
- b.SPRING:MUSIC WIRE
(SURFACE PLATING: Ni100u"~120u")

SEE ORDERING INFORMATION

2.ELECTRIC:

- a.DIELECTRIC VOLTAGE: 270V AC ONE SEC LEVEL
- b.OPERATING TEMPERATURE: -10° C~ +100° C

ORDERING INFORMATION

BH-AA-B1AJ036-100

电池盒

电池型号

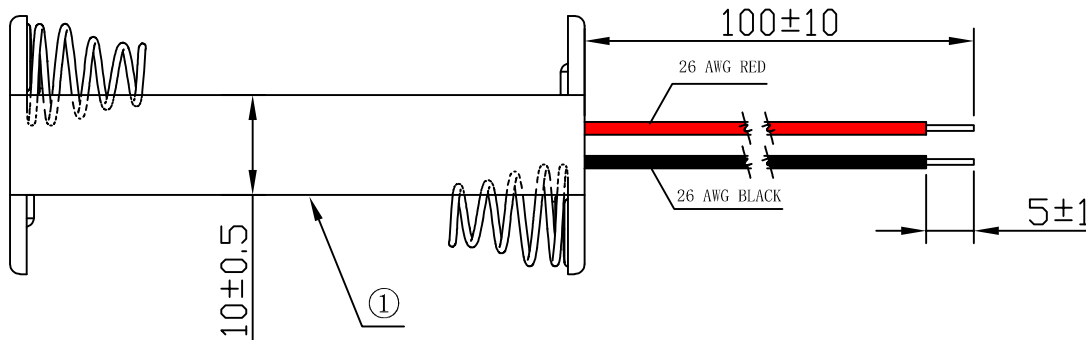
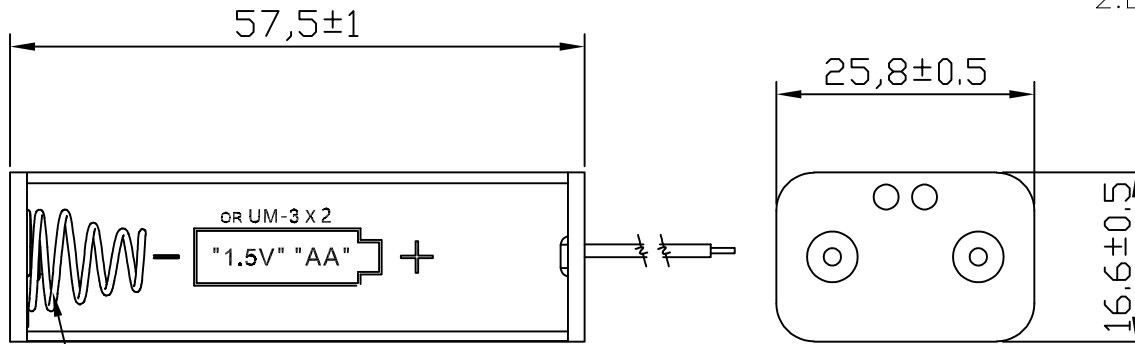
SMT 180° TYPE

PLATING:

- A-Au1U"
- J-Ni100U"~120U"
- K-Sn100U"~120U"

MATERIAL:

- 1A-PP BLACK
- 1B-PA66 BLACK
- 2A-PPA BROWN
- 2B-PPA BLACK
- 3A-PPS BROWN
- 3B-PPS BLACK
- 4A-LCP WHITE
- 4B-LCP BLACK



UNLESS OTHERWISE SPECIFIED TOLERANCES		MYOUNG 美阳 www.meiyangdz.com	
DECIMALS: X :±0.30 X.X :±0.25 X.XX :±0.20 X.XXX :±0.10	ANGLES: X :±1° X.X :±0.5°	DSND YangFeng	DATE 2022-08-22
WEIGHT:		CHKD ZhouRuicai	DATE 2022-08-22
SHEET 1 OF 1		APVD XueShunyong	DATE 2022-08-22
SCALE:		SIZE: A4	VIEW:
UNIT: mm		REV.: A/1	OBJECT: MY
TITLE: 电池盒BH-AA-2J双面靠背无挡板 (26#线长100mm剥皮上锡5mm)		PART NO.: BH-AA-B1AJ036-100	
DRAW NO.:WD-CP-0226			

2	SPRING	2	MUSIC WIRE	Ni-Plating
1	HOUSING	1	PP	BLACK
NO.	PART NAME	Q'TY	MATERIAL	PLATING & COLOR