



REV.	ECN NO.	REVISED	DATE

NOTE:

1.MATERIAL:

a.HOUSING:ABS BLACK

b.CONTACT:SUS 301(SURFACE PLATING:

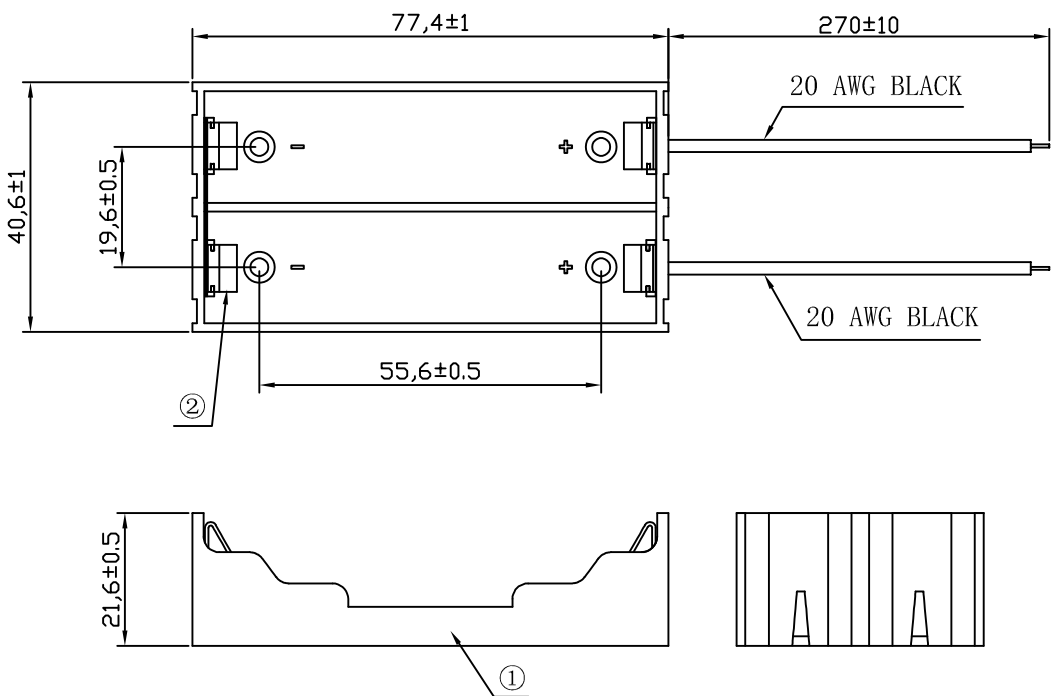
NI100u"~120u")

SEE ORDERING INFORMATION

2.ELECTRIC:

a.DIELECTRIC VOLTAGE: 270V AC ONE SEC LEVEL

b.OPERATING TEMPERATURE: -40° C~ +80° C



ORDERING INFORMATION BH-18650-B5BJ004

电池盒

电池型号

SMT 180° TYPE

PLATING:

A-Au1U"

J-Ni100U"~120U"

K-Sn100U"~120U"

MATERIAL:

1A-PP BLACK

1B-PA66 BLACK

2A-PPA BROWN

2B-PPA BLACK

3A-PPS BROWN

3B-PPS BLACK

4A-LCP WHITE

4B-LCP BLACK

5B-ABS BLACK

工程部

2021-01-08

H. WANG

UNLESS OTHERWISE SPECIFIED TOLERANCES		MYOUNG 美阳 www.meiyangdz.com	
DECIMALS: X :±0.30 X.X :±0.25 X.XX :±0.20 X.XXX :±0.10	ANGLES: X :±1° X.X :±0.5°	DSND YangFeng	DATE 2021-01-08
WEIGHT: SHEET 1 OF 1		CHKD ZhouRuicai	DATE 2021-01-08
		APVD XueShunyong	DATE 2021-01-08
TITLE: 电池盒BH-18650-2J (20#线长270mm带DC插头)		PART NO.: BH-18650-B5BJ004	
SCALE: UNIT: mm		SIZE: A4	VIEW:
REV.: A/1		OBJECT: MY	DRAW NO.:WD-CP-0115

②	CONTACT	4	SUS 301	Ni-Plating
①	HOUSING	1	ABS	BLACK
NO.	PART NAME	Q'TY	MATERIAL	PLATING & COLOR