



REV.	ECN NO.	REVISED	DATE

NOTE:

1.MATERIAL:

a.HOUSING:PP BLACK

b.SPRING:MUSIC WIRE

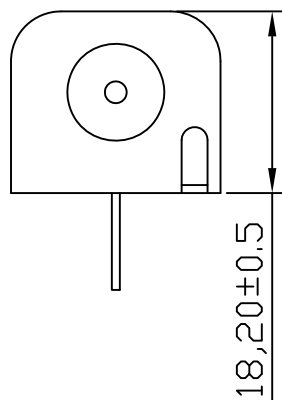
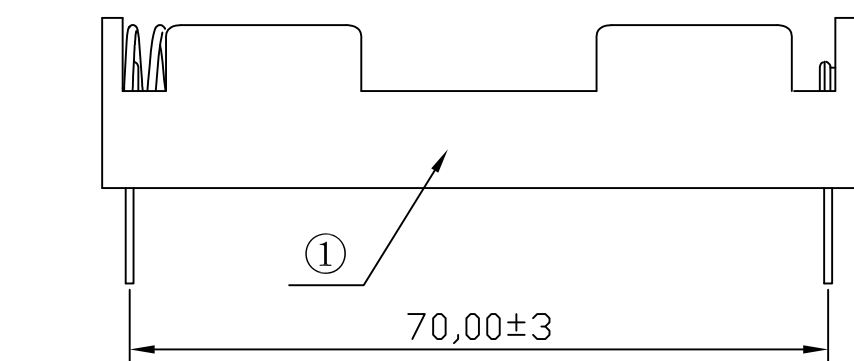
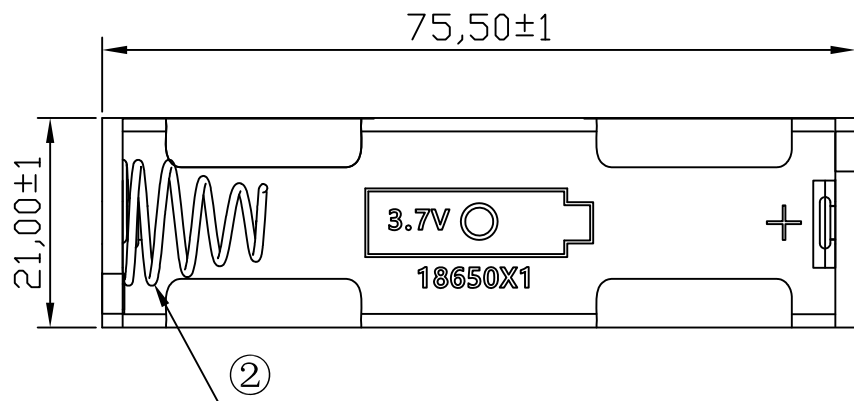
(SURFACE PLATING: NI100u"~120u")

SEE ORDERING INFORMATION

2.ELECTRIC:

a.DIELECTRIC VOLTAGE: 270V AC ONE SEC LEVEL

b.OPERATING TEMPERATURE: -10° C~ +100° C



ORDERING INFORMATION

BH-18650-A\*\*\*005

电池盒

电池型号

DIP 90° TYPE

PLATING:

A-Au1U"

J-Ni100U"~120U"

K-Sn100U"~120U"

MATERIAL:

1A-PP BLACK

1B-PA66 BLACK

2A-PPA BROWN

2B-PPA BLACK

3A-PPS BROWN

3B-PPS BLACK

4A-LCP WHITE

4B-LCP BLACK



UNLESS OTHERWISE SPECIFIED TOLERANCES		<b>MYOUNG 美阳</b> www.meiyangdz.com			
DECIMALS: X :±0.30 X.X :±0.25 X.XX :±0.20 X.XXX :±0.10	ANGLES: X :±1° X.X :±0.5°	DSND	YangFeng	DATE	2021-01-18
WEIGHT:		CHKD	ZhouRuicai	DATE	2021-01-18
SHEET 1 OF 1		APVD	XueShunyong	DATE	2021-01-18
SCALE:		SIZE: A4		VIEW:	⊕ ⊖
UNIT: mm		REV.:	A/1	OBJECT:	MY
TITLE:		电池盒BH-18650-1J Ni DIP			
PART NO.:		BH-18650-A1AJ005			
DRAW NO.:		WD-CP-0117			

2	SPRING	1	MUSIC WIRE, 0.8MM	Ni-Plating
1	HOUSING	1	PP	BLACK
NO.	PART NAME	Q'TY	MATERIAL	PLATING & COLOR