



| | | | |
|------|---------|---------|------|
| REV. | ECN NO. | REVISED | DATE |
| | | | |

NOTE:

1.MATERIAL:

a.HOUSING:PP RESIN BLACK

b.CONTACT:BRASS

(SURFACE PLATING: NI100u"~120u")

SEE ORDERING INFORMATION

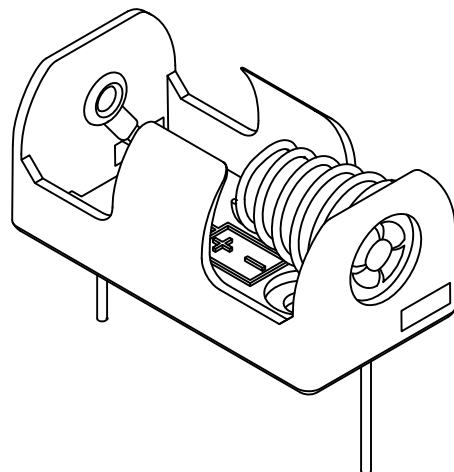
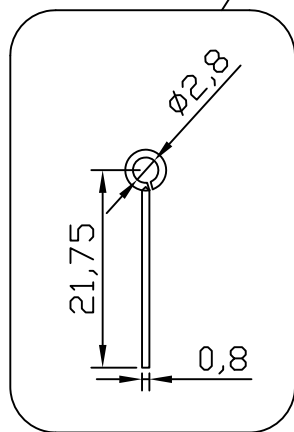
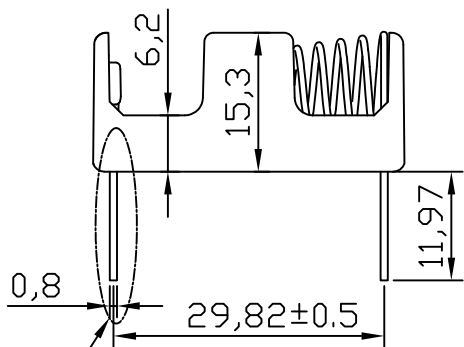
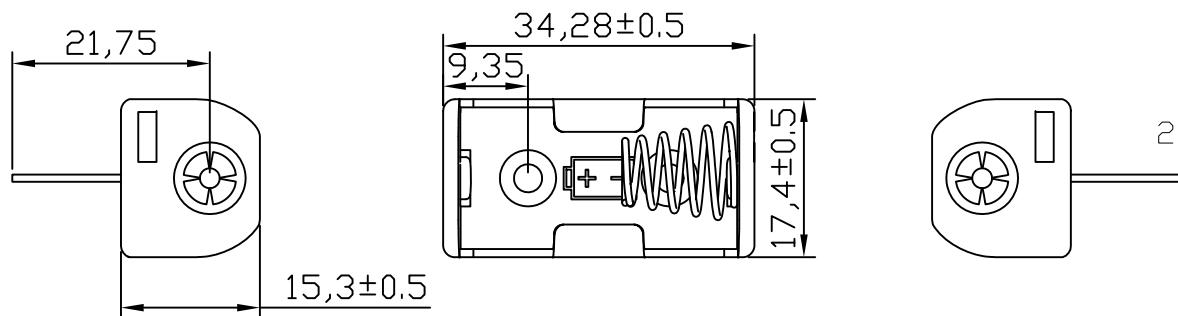
2.ELECTRIC:

a.CONTACT RESISTANCE: 30 MILLIOHMS MAX

b.INSULATION RESISTANCE: 1000 MEGA OHMS MIN

c.DIELECTNIC VOLTAGE: 500V AC ONE SEC LEVEL

d.OPERATING TEMPERATURE: -10° C~ +80° C



ORDERING INFORMATION

BH-AAA-A***001

电池盒

电池型号

DIP 90° TYPE

PLATING:

A-Au1U"

J-Ni100U"~120U"

K-Sn100U"~120U"

MATERIAL:

1A-PP BLACK

1B-PA66 BLACK

2A-PPA BROWN

2B-PPA BLACK

3A-PPS BROWN

3B-PPS BLACK

4A-LCP WHITE

4B-LCP BLACK

5A-PA9T BLACK

工程部

2019-12-25

LQ. HUANG

UNLESS OTHERWISE SPECIFIED TOLERANCES

MYOUNG 美阳 www.meiyangdz.com

DECIMALS: ANGLES:
X :±0.30 X :±1°
X.X :±0.25 X.X :±0.5°
X.XX :±0.20
X.XXX :±0.10

| | | | |
|------|-------------|------|------------|
| DSND | YangFeng | DATE | 2019-12-25 |
| CHKD | ZhouRuicai | DATE | 2019-12-25 |
| APVD | XueShunyong | DATE | 2019-12-25 |

TITLE:
电池盒BH-14250-01 DIP

| | | | | |
|-----|-----------|------|---------------|-----------------|
| 2 | TERMINAL | 1 | BRASS, φ0.8MM | Ni-Plating |
| 1 | HOUSING | 1 | PP Resin | BLACK |
| NO. | PART NAME | Q'TY | MATERIAL | PLATING & COLOR |

| | | | |
|--------------|----------|-----------|------------------|
| WEIGHT: | SCALE: | SIZE: A4 | VIEW: |
| SHEET 1 OF 1 | UNIT: mm | REV.: A/1 | OBJECT: MY |
| PART NO.: | | | BH-14250-A1AJ001 |
| DRAW NO.: | | | WD-CP-0077 |