

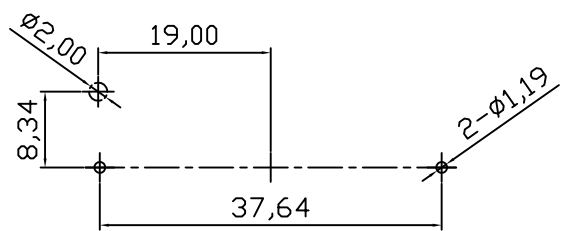
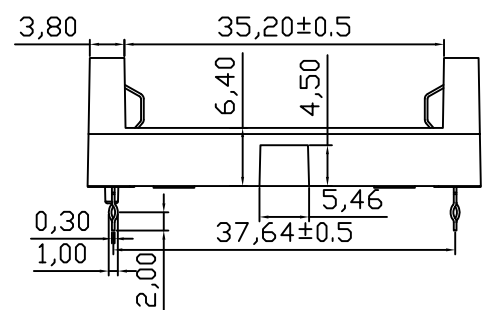
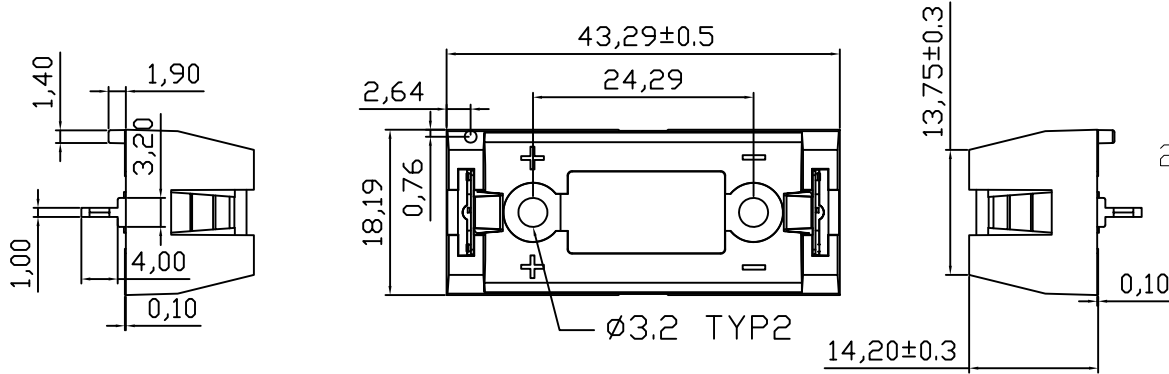


REV.	ECN NO.	REVISED	DATE

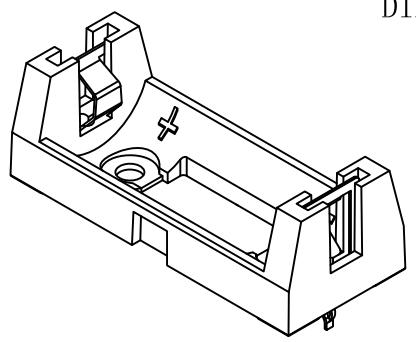
NOTE:

1.MATERIAL:
 a.HOUSING:ABS BLACK
 b.CONTACT:SUS304
 (SURFACE PLATING: NI100u"~120u")
 SEE ORDERING INFORMATION

2.ELECTRIC:
 a.CONTACT RESISTANCE: 30 MILLIOHMS MAX
 b.INSULATION RESISTANCE: 1000 MEGA OHMS MIN
 c.DIELECTNIC VOLTAGE: 500V AC ONE SEC LEVEL
 d.OPERATING TEMPERATURE: -10° C~ +80° C



PCB Layout Diagram
Top View



ORDERING INFORMATION
BH-123A-A*002**

电池盒 — PLATING:
 A-Au1U"
 J-Ni100U"~120U"
 K-Sn100U"~120U"
 电池型号 — MATERIAL:
 1A-PP BLACK
 1B-PA66 BLACK
 2A-PPA BROWN
 2B-PPA BLACK
 3A-PPS BROWN
 3B-PPS BLACK
 4A-LCP WHITE
 4B-LCP BLACK
 5A-PA9T BLACK
 5B-ABS BLACK
 DIP 90° TYPE



UNLESS OTHERWISE SPECIFIED TOLERANCES		MYOUNG 美阳 www.meiyangdz.com	
DECIMALS: X :±0.30 X.X :±0.25 X.XX :±0.20 X.XXX :±0.10	ANGLES: X :±1° X.X :±0.5°	DSND YangFeng	DATE 2020-05-19
WEIGHT:		CHKD ZhouRuicai	DATE 2020-05-19
SHEET 1 OF 1		APVD XueShunyong	DATE 2020-05-19
SCALE: VIEW:		SIZE: A4	TITLE: 电池盒BH-CR123A-02 DIP
UNIT: mm		REV.: A/1	PART NO.: BH-123A-A5BJ002
OBJECT: MY		DRAW NO.:WD-CP-00078	

2	TERMINAL	1	SUS304, $\phi 0.30$ MM	Ni-Plating
1	HOUSING	1	ABS	BLACK
NO.	PART NAME	Q'TY	MATERIAL	PLATING & COLOR