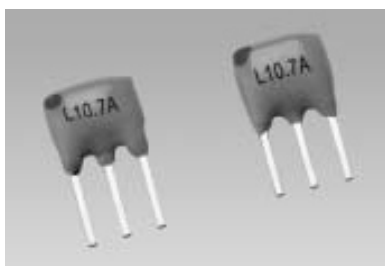


**LGE**

LT10.7M SERIES OF CERAMIC FILTER

**10.7MHz**

The LT10.7 series ceramic filter is the miniature high profile filter for FM use

FEATURES

- Low Cost
- FM Use
- Low Profile
- Excellent temperature stability
- High durability

LT10.7M SERIES OF CERAMIC FILTER FOR FM RECEIVER

● 技术特性 TECHNICAL CHARACTERISTICS

型号 Part Number	3分贝带宽 3dB Band Width (KHz)	20分贝带宽 20dB Band Width (KHz) max	插入损耗 Insertion Loss (dB)(max)	阻带衰耗 Spurious Attenuation (9~12MHz)(dB)min
LT10.7MA5	280 ± 50	650	6	30
LT10.7MS2	230 ± 50	600	6	40
LT10.7MS3	180 ± 40	520	7	40
LT10.7MJ	150 ± 40	400	10	38

输入/输出阻抗:330Ω
Input/Output Impedance:330Ω

LT10.7M □ A10 SERIES OF CERAMIC FILTER (LOW-LOSS TYPE)

● 技术特性 TECHNICAL CHARACTERISTICS

型号 Part Number	3分贝带宽 3dB Band Width (KHz)	20分贝带宽 20dB Band Width (KHz) max	插入损耗 Insertion Loss (dB)	阻带衰耗 Spurious Attenuation (9~12MHz)(dB)min
LT10.7MA5A10	280 ± 50	590	2.5 ± 2.0	30
LT10.7MS2A10	230 ± 50	520	3.0 ± 2.0	35
LT10.7MS3A10	180 ± 40	470	3.5 ± 1.5	35
LT10.7MJA10	150 ± 40	360	4.5 ± 2.0	35

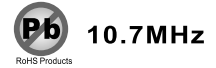
输入/输出阻抗:330Ω
Input/Output Impedance:330Ω

WIDE/NARROW BAND-WIDTH TYPE LT10.7M SERIES OF CERAMIC FILTER

● 技术特性 TECHNICAL CHARACTERISTICS

型号 Part Number	3分贝带宽 3dB Band Width (KHz)	20分贝带宽 20dB Band Width (KHz) max	插入损耗 Insertion Loss (dB)	阻带衰耗 Spurious Attenuation (9~12MHz)(dB) min
LT10.7MA19	350min	950	3 ± 2	20
LT10.7MA20	330 ± 50	680	4 ± 2	30
LT10.7MHY	110 ± 30	350	7 ± 2	30
LT10.7MFP	20min	95	6.0max	24(10.7 ± 1.0MHz)

*输入/输出阻抗:470Ω (MA19),330Ω (MA20,MHY),600Ω (MFP)
Input/Output Impedance:470Ω (MA19),330Ω (NA20,MHY),600Ω (MFP)
*LT10.7MFP阻带衰耗范围: 10.7±1MHz
Spurious Attenuation range of LT10.7MFP:10.7±1MHz

**LGE****LT10.7M SERIES OF CERAMIC FILTER****LT10.7 □ ML SERIES OF CERAMIC FILTER (LOW-PROFILE TYPE)**

● 技术特性 TECHNICAL CHARACTERISTICS

型号 Part Number	3分贝带宽 3dB Band Width (KHz)	20分贝带宽 20dB Band Width (KHz) max	插入损耗 Insertion Loss (dB)(max)	阻带衰耗 Spurious Attenuation (9~12MHz)(dB)min
LT10.7MA5L	280 ± 50	650	6	30
LT10.7MS2L	230 ± 50	600	6	40
LT10.7MS3L	180 ± 40	520	7	40
LT10.7MJL	150 ± 40	400	10	40

输入/输出阻抗:330 Ω
Input/Output Impedance:330 Ω

LT10.7M □ LA10 SERIES OF CERAMIC FILTER (LOW-LOSS/LOW-PROFILE TYPE)

● 技术特性 TECHNICAL CHARACTERISTICS

型号 Part Number	3分贝带宽 3dB Band Width (KHz)	20分贝带宽 20dB Band Width (KHz) max	插入损耗 Insertion Loss (dB)	阻带衰耗 Spurious Attenuation (9~12MHz)(dB)min
LT10.7MA5LA10	280 ± 50	590	2.5 ± 2.0	30
LT10.7MS2LA10	230 ± 50	520	3.0 ± 2.0	35
LT10.7MS3LA10	180 ± 40	470	3.5 ± 1.5	35
LT10.7MJLA10	150 ± 40	360	5.5 ± 2.0	35

输入/输出阻抗:330 Ω
Input/Output Impedance:330 Ω

WIDE/NARROW BAND-WIDTH TYPE LT10.7M □ SERIES OF CERAMIC FILTER (LOW-PROFILE TYPE)

● 技术特性 TECHNICAL CHARACTERISTICS

型号 Part Number	3分贝带宽 3dB Band Width (KHz)	20分贝带宽 20dB Band Width (KHz) max	插入损耗 Insertion Loss (dB)	阻带衰耗 Spurious Attenuation (9~12MHz)(dB) min
LT10.7MA19L	380 ± 50	720	5.0	30
LT10.7MA20L	330 ± 50	680	6.0	30
LT10.7MHYL	110 ± 30	350	10.0	30

*输入/输出阻抗:330 Ω
Input/Output Impedance:330 Ω



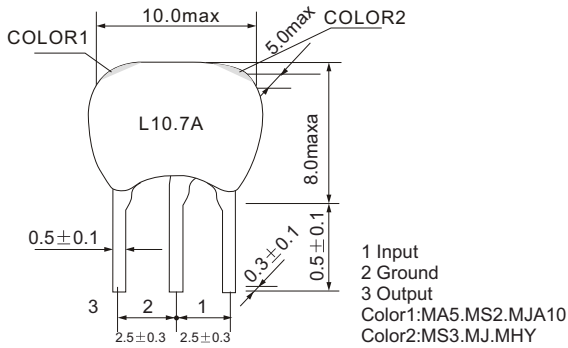
LGE

LT10.7M SERIES OF CERAMIC FILTER



10.7MHz

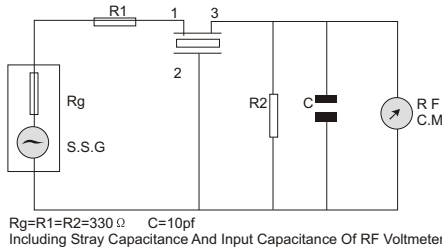
Mechanical Dimensions(mm)



Standard Rule

Center Frequency	Color
D:10.64MHz 30kHz	Black
B:10.67MHz 30kHz	Blue
A:10.70MHz 30kHz	Red
C:10.73MHz 30kHz	Orange
E:10.76MHz 30kHz	White

Test Circuit For MOS IC



Characteristics

