

## LQB18 Series Reference Specification

### 1. Scope

This reference specification applies to LQB18N series, Chip Coil.

### 2. Part Numbering

(ex.)  $\frac{\text{LQ}}{(1)} \frac{\text{B}}{(2)} \frac{18}{(3)} \frac{\text{N}}{(4)} \frac{\text{N}}{(5)} \frac{\text{R22}}{(6)} \frac{\text{N}}{(7)} \frac{1}{(8)} \frac{0}{(9)} \frac{\text{D}}{(10)}$   
 (1)Product ID (2)Type (3)Dimension(LxW) (4)Category (5)Applications and Characteristics  
 (6)Inductance (7)Tolerance (8)Features (9)Electrode (10)Packaging (D:Taping / \*B:Bulk)

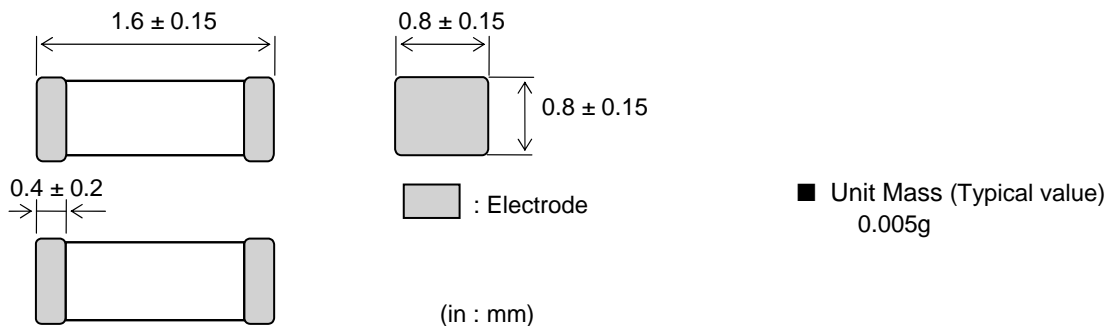
\*Bulk packing also available.

### 3. Rating

Customer Part Number	MURATA Part Number	Inductance		Q (min.)	Self Resonant Frequency (MHz min.)	Rated Current (mA)	DC Resistance ( $\Omega$ max.)	
		(nH)	Tolerance				Initial Values	Values After Testing
	LQB18NNR22J10D	220	J : $\pm 5\%$	25	80	450	0.37	0.47
	LQB18NNR22K10D		K : $\pm 10\%$					
	LQB18NNR22M10D		M : $\pm 20\%$					
	LQB18NNR22N10D		N : $\pm 30\%$					
	LQB18NNR27J10D	270	J : $\pm 5\%$					
	LQB18NNR27K10D		K : $\pm 10\%$					
	LQB18NNR27M10D		M : $\pm 20\%$					
	LQB18NNR27N10D		N : $\pm 30\%$					
	LQB18NNR33J10D	330	J : $\pm 5\%$					
	LQB18NNR33K10D		K : $\pm 10\%$					
	LQB18NNR33M10D		M : $\pm 20\%$					
	LQB18NNR33N10D		N : $\pm 30\%$					
	LQB18NNR39J10D	390	J : $\pm 5\%$					
	LQB18NNR39K10D		K : $\pm 10\%$					
	LQB18NNR39M10D		M : $\pm 20\%$					
	LQB18NNR39N10D		N : $\pm 30\%$					
	LQB18NNR47J10D	470	J : $\pm 5\%$					
	LQB18NNR47K10D		K : $\pm 10\%$					
	LQB18NNR47M10D		M : $\pm 20\%$					
	LQB18NNR47N10D		N : $\pm 30\%$					
	LQB18NNR56J10D	560	J : $\pm 5\%$					
	LQB18NNR56K10D		K : $\pm 10\%$					
	LQB18NNR56M10D		M : $\pm 20\%$					
	LQB18NNR56N10D		N : $\pm 30\%$					

- Operating Temperature : -55°C to +125°C
- Storage Temperature : -55°C to +125°C

**4. Style and Dimensions**



**5. Marking**

No marking.

**6. Standard Testing Conditions**

< Unless otherwise specified >

Temperature : Ordinary Temp. (15 °C to 35 °C )  
 Humidity : Ordinary Humidity (25%(RH) to 85%(RH))

< In case of doubt >

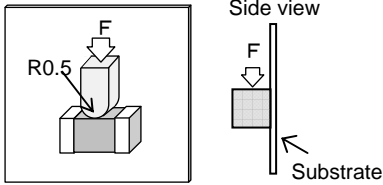
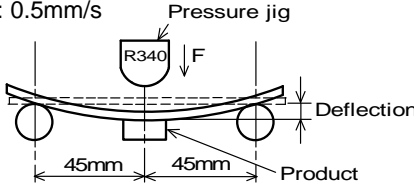
Temperature : 20°C±2 °C  
 Humidity : 60%(RH) to 70%(RH)  
 Atmospheric pressure : 86kPa to 106kPa

**7. Specifications**

**7-1. Electrical Performance**

No.	Item	Specification	Test Method
7-1-1	Inductance	Meet item 3.	Measuring Frequency : 25MHz Measuring Equipment : Agilent 4291A or the equivalent Test Fixture : Agilent 16192A or the equivalent
7-1-2	Q		
7-1-3	SRF		
7-1-4	DC Resistance	Meet item 3.	Measuring Equipment : Digital multi meter
7-1-5	Rated Current	Self temperature rise shall be limited to 25°C max.	The rated current is applied.

**7-2. Mechanical Performance**

No.	Item	Specification	Test Method				
7-2-1	Appearance and Dimensions	Meet item 4.	Visual Inspection and measured with Slide Calipers.				
7-2-2	Bonding Strength	Meet Table 1.  <table border="1"> <caption>Table 1</caption> <tr> <td>Appearance</td> <td>No damage</td> </tr> <tr> <td>DC Resistance</td> <td>Meet item 3.</td> </tr> </table>	Appearance	No damage	DC Resistance	Meet item 3.	It shall be soldered on the substrate. Applying Force (F) : 6.8N Applying Time : 5s±1s Applied direction: Parallel to substrate 
Appearance	No damage						
DC Resistance	Meet item 3.						
7-2-3	Bending Strength		It shall be soldered on the substrate. Substrate: Glass-epoxy 100mm×40mm×1.6mm Deflection : 1.0mm Speed of Applying Force : 0.5mm/s Keeping Time : 30s 				
7-2-4	Vibration		It shall be soldered on the substrate. Oscillation Frequency : 10Hz to 55Hz to 10Hz for 1 min Total Amplitude : 1.5mm Testing Time : A period of 2 hours in each of 3 mutually perpendicular directions. (Total 6h)				
7-2-5	Resistance to Soldering Heat		Pre-Heating : 150°C±10°C, 60s~90s Solder : Sn-3.0Ag-0.5Cu Solder Temperature : 270°C±5°C Immersion Time : 10s±0.5s Immersion and emersion rates : 25mm/s Then measured after exposure in the room condition for 48h±4h.				
7-2-6	Drop	Products shall be no failure after tested.	It shall be dropped on concrete or steel board. Method : free fall Height : 75cm Attitude from which the product is dropped : 3 direction The number of times : 3 times for each direction (Total 9 times)				
7-2-7	Solderability	The electrodes shall be at least 95% covered with new solder coating.	Flux : Ethanol solution of rosin, 25(wt)% Pre-Heating : 150°C±10°C, 60s~90s Solder : Sn-3.0Ag-0.5Cu Solder Temperature : 240°C±5°C Immersion Time : 3s±1s Immersion and emersion rates : 25mm/s				

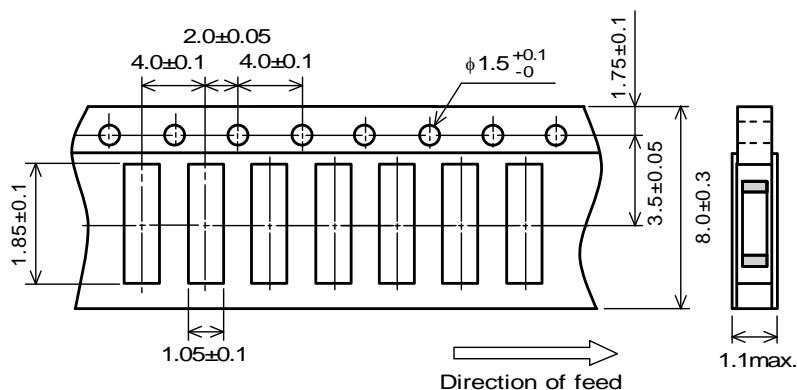
### 7-3. Environmental Performance

It shall be soldered on the substrate.

No.	Item	Specification	Test Method
7-3-1	Temperature Cycle	Meet Table 1.	1 cycle: 1 step: -55°C (+0°C, -3°C) / 30min±3min 2 step: Ordinary temp. / 10min to 15min 3 step: +125°C (+3°C, -0°C) / 30min±3min 4 step: Ordinary temp. / 10min to 15min Total of 100 cycles Then measured after exposure in the room condition for 48h±4h.
7-3-2	Humidity		Temperature : 40°C±2°C Humidity : 90%(RH) to 95%(RH) Time : 1000h (+48h, -0h) Then measured after exposure in the room condition for 48h±4h.
7-3-3	Heat Life		Temperature : 125°C±3°C Applying Current : Rated Current Time : 1000h (+48h, -0h) Then measured after exposure in the room condition for 48h±4h.
7-3-4	Cold Resistance		Temperature : -55°C±2°C Time : 1000h (+48h, -0h) Then measured after exposure in the room condition for 48h±4h.

## 8. Specification of Packaging

### 8-1. Appearance and Dimensions (8mm-wide paper tape 4mm-pitch)



(in mm)

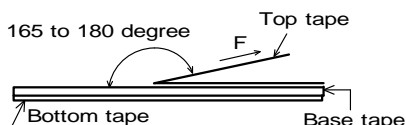
- (1) Taping  
Products shall be packaged in the cavity of the base tape continuously and sealed by top tape and bottom tape.
- (2) Sprocket hole: The sprocket holes are to the right as the tape is pulled toward the user.
- (3) Spliced point: The base tape and top tape have no spliced point
- (4) Cavity: There shall not be burr in the cavity.
- (5) Missing components number  
Missing components number within 0.1% of the number per reel or 1 pc., whichever is greater, and are not continuous. The specified quantity per reel is kept.

### 8-2. Tape Strength

#### (1) Pull Strength

Top tape	5N min.
Bottom tape	

- (2) Peeling off force of Top tape  
0.1N to 0.6N (Minimum value is typical.)  
\*Speed of Peeling off: 300mm/ min



**8-3. Taping Condition**

- (1) Standard quantity per reel: 4000pcs. / reel
- (2) There shall be leader-tape (top tape and empty tape ) and trailer- tape (empty tape) as follows.
- (3) On paper tape, the top tape and the base tape shall not be adhered at the tip of the empty leader tape for more than 5 pitch.
- (4) Marking for reel

The following items shall be marked on a label and the label is stuck on the reel.

(Customer part number, MURATA part number, Inspection number (\*1), RoHS marking (\*2), Quantity, etc)

\*1) « Expression of Inspection No. »  $\frac{\square\square}{(1)} \frac{0000}{(2)} \frac{\times\times\times}{(3)}$

(1) Factory Code

(2) Date First digit : Year / Last digit of year

Second digit : Month / Jan. to Sep. → 1 to 9, Oct. to Dec. → O, N, D

Third, Fourth digit : Day

(3) Serial No.

\*2) « Expression of RoHS marking »  $ROHS - \frac{Y(\Delta)}{(1)(2)}$

(1) RoHS regulation conformity parts.

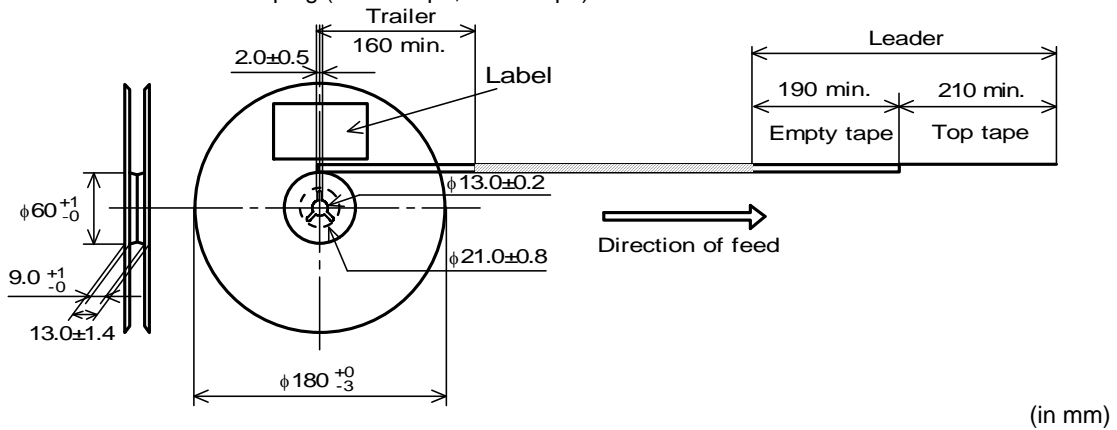
(2) MURATA classification number

- (5) Outside package

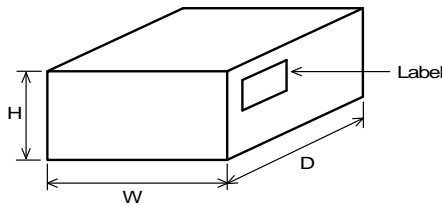
These reels shall be packed in the corrugated cardboard package and the following items shall be marked on a label and the label is stuck on the box.

(Customer name, Purchasing order number, Customer part number, MURATA part number, RoHS marking (\*2), Quantity, etc)

- (6) Dimensions of reel and taping (leader-tape, trailer-tape)



**8-4. Specification of Outer Case**



Outer Case Dimensions (mm)			Standard Reel Quantity in Outer Case (Reel)
W	D	H	
186	186	93	5

\* Above Outer Case size is typical. It depends on a quantity of an order.

9. **⚠ Caution**

9-1. **Limitation of Applications**

**Limitation of Applications**

Please contact us before using our products for the applications listed below which require especially high reliability for the prevention of defects which might directly cause damage to the third party's life, body or property.

- (1) Aircraft equipment
- (2) Aerospace equipment
- (3) Undersea equipment
- (4) Power plant control equipment
- (5) Medical equipment
- (6) Transportation equipment (vehicles, trains, ships, etc.)
- (7) Traffic signal equipment
- (8) Disaster prevention / crime prevention equipment
- (9) Data-processing equipment
- (10) Applications of similar complexity and /or reliability requirements to the applications listed in the above

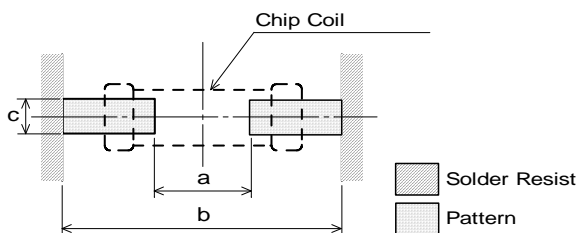
10. **Notice**

This product is designed for solder mounting.

Please consult us in advance for applying other mounting method such as conductive adhesive.

10-1. **Land pattern designing**

- Standard land dimensions



Soldering	a	b	c
Flow	0.7	2.2 to 2.6	0.7
Reflow		1.8 to 2.0	

(in mm)

10-2. **Soldering Conditions**

Products can be applied to reflow and flow soldering.

(1) Flux, Solder

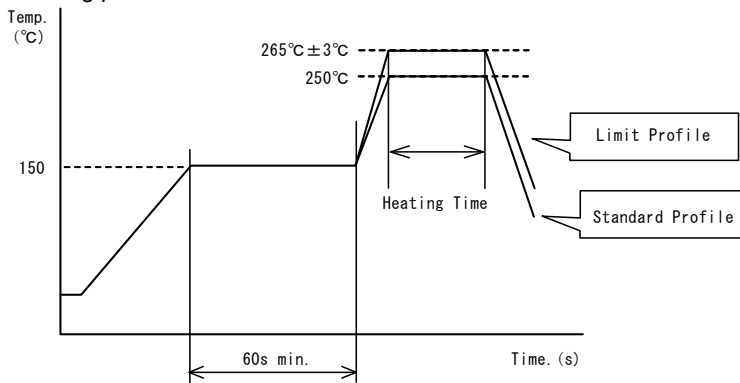
Flux	Use rosin-based flux, but not highly acidic flux (with chlorine content exceeding 0.2(wt)%.) Do not use water-soluble flux.
Solder	Use Sn-3.0Ag-0.5Cu solder Standard thickness of solder paste : 100 μm to 200 μm

(2) Soldering conditions

- Pre-heating should be in such a way that the temperature difference between solder and ferrite surface is limited to 150°C max. Also cooling into solvent after soldering should be in such a way that the temperature difference is limited to 100°C max.  
Insufficient pre-heating may cause cracks on the ferrite, resulting in the deterioration of product quality.
- Standard soldering profile and the limit soldering profile is as follows.  
The excessive limit soldering conditions may cause leaching of the electrode and / or resulting in the deterioration of product quality.

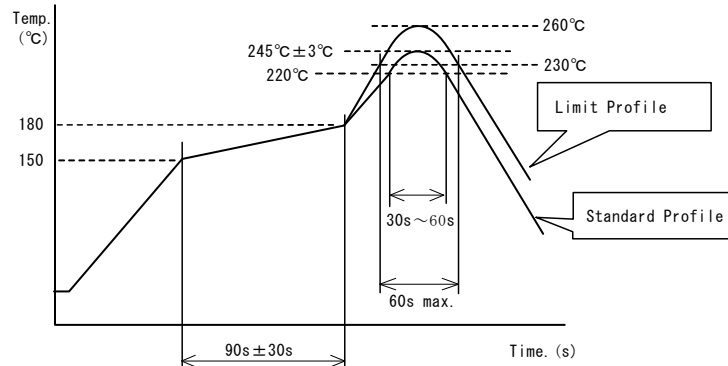
(3) soldering profile

• Flow soldering profile



	Standard Profile	Limit Profile
Pre-heating	150°C, 60s min.	
Heating	250°C, 4s~6s	265°C ±3°C, 5s max.
Cycle of flow	2 times	2 times

• Reflow soldering profile



	Standard Profile	Limit Profile
Pre-heating	150°C~180°C, 90s ± 30s	
Heating	above 220°C, 30s~60s	above 230°C, 60s max.
Peak temperature	245°C ± 3°C	260°C, 10s
Cycle of reflow	2 times	2 times

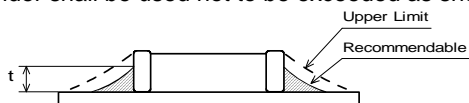
**10-3. Reworking with soldering iron**

- Pre-heating: 150°C, 1 min
- Tip temperature: 350°C max.
- Soldering time : 3(+1, -0) seconds.
- Soldering iron output: 80W max.
- Tip diameter: φ3mm max.
- Times : 2times max.

Note : Do not directly touch the products with the tip of the soldering iron in order to prevent the crack on the ferrite material due to the thermal shock.

**10-4. Solder Volume**

Solder shall be used not to be exceeded as shown below.



$$\frac{1}{3}T \leq t \leq T$$

(T: Chip thickness)

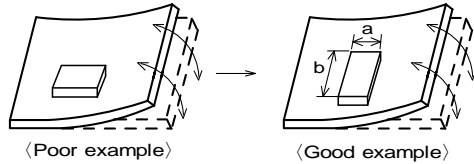
Accordingly increasing the solder volume, the mechanical stress to product is also increased. Exceeding solder volume may cause the failure of mechanical or electrical performance.

### 10-5. Attention regarding P.C.B. bending

The following shall be considered when designing and laying out P.C.B.'s.

- (1) P.C.B. shall be designed so that products are not subject to the mechanical stress for board warpage.

<Products direction>

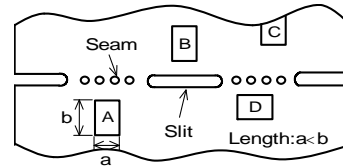


Products shall be located in the sideways direction (Length:  $a < b$ ) to the mechanical stress.

- (2) Products location on P.C.B. separation.

Products (A, B, C, D) shall be located carefully so that products are not subject to the mechanical stress due to warping the board.

Because they may be subjected the mechanical stress in order of  $A > C > B \cong D$ .



### 10-6. Mounting density

Add special attention to radiating heat of products when mounting the inductor near the products with heating.

The excessive heat by other products may cause deterioration at joint of this product with substrate.

### 10-7. Operating Environment

Do not use this product under the following environmental conditions, on deterioration of the Insulation Resistance of the Ferrite material and / or corrosion of Inner Electrode may result from the use.

- (1) in the corrodible atmosphere (acidic gases, alkaline gases, chlorine, sulfur gases, organic gases and etc.)
- (2) in the atmosphere where liquid such as organic solvent, may splash on the products.
- (3) in the atmosphere where the temperature / humidity changes rapidly and it is easy to dew.

### 10-8. Resin coating

The inductance value may change and/or it may affect on the product's performance due to high cure-stress of resin to be used for coating / molding products. So please pay your careful attention when you select resin. In prior to use, please make the reliability evaluation with the product mounted in your application set.

### 10-9. Cleaning Conditions

Products shall be cleaned on the following conditions.

- (1) Cleaning temperature shall be limited to 60°C max. (40°C max. for IPA.)
- (2) Ultrasonic cleaning shall comply with the following conditions, avoiding the resonance phenomenon at the mounted products and P.C.B.

Power: 20W/l max. Frequency: 28kHz to 40kHz Time: 5 min max.

- (3) Cleaner

1. Alternative cleaner
  - Isopropyl alcohol (IPA)
2. Aqueous agent
  - PINE ALPHA ST-100S

- (4) There shall be no residual flux and residual cleaner after cleaning.

In the case of using aqueous agent, products shall be dried completely after rinse with de-ionized water in order to remove the cleaner.

- (5) Other cleaning

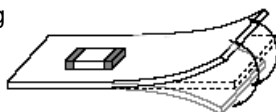
Please contact us.

### 10-10. Handling of a substrate

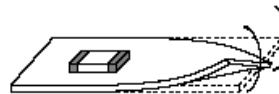
After mounting products on a substrate, do not apply any stress to the product caused by bending or twisting to the substrate when cropping the substrate, inserting and removing a connector from the substrate or tightening screw to the substrate.

Excessive mechanical stress may cause cracking in the product.

Bending



Twisting





### 10-11. Storage Conditions

(1) Storage period

Use the products within 6 months after delivered.  
Solderability should be checked if this period is exceeded.

(2) Storage conditions

- Products should be stored in the warehouse on the following conditions.

Temperature : -10°C to 40°C

Humidity : 15% to 85% relative humidity

No rapid change on temperature and humidity

- Don't keep products in corrosive gases such as sulfur, chlorine gas or acid, or it may cause oxidization of electrode, resulting in poor solderability.
- Products should be stored on the palette for the prevention of the influence from humidity, dust and so on.
- Products should be stored in the warehouse without heat shock, vibration, direct sunlight and so on.
- Products should be stored under the airtight packaged condition.

(3) Delivery

Care should be taken when transporting or handling product to avoid excessive vibration or mechanical shock.

### 11. Notes

- (1) Please make sure that your product has been evaluated in view of your specifications with our product being mounted to your product.
- (2) You are requested not to use our product deviating from the reference specifications.
- (3) The contents of this reference specification are subject to change without advance notice.  
Please approve our product specifications or transact the approval sheet for product specifications before ordering.