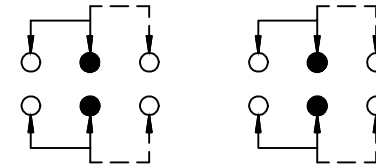


PCB LAYOUT BOTTOM VIEW



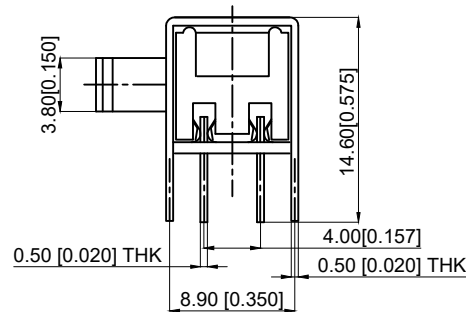
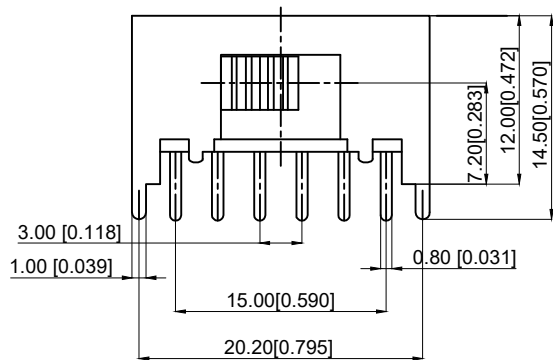
SCHEMATIC(SHORTING)

1.Specification:

1. 规范:
2. Rating:1.0A/DC24V
3. 额定值: 1.0A/DC24V
3. Contact resistance:≤50mΩ
4. 接触电阻: ≤50mΩ
4. Insulation Resistance:≥100MΩ DC250V
4. 绝缘电阻: ≥100MΩDC250V
5. Compressive strength:AC250V 1minute
5. 抗压强度: AC250V 1分钟

6.Operating temperature:-25℃ to +70℃

6. 工作温度: -25℃至 +70℃
7. Storage humidity:<85%RH
7. 储存湿度: <85%RH
8. Electrical life:10,000Cycles
8. 电气寿命: 10000次
9. Operating Force:260±80gf
9. 操作力: 260±80gf



7	STEEL BALL 钢珠	STEEL	1	NATURAL
6	SPRING PLATE 簧片	STEEL WIRE	1	TEMPER
5	CONTACT CLIP 接触片	PBS STRIP	4	Ag CLAD
4	TERMINAL 端子	BRASS	12	Ag PLATED
3	BASE 基座	PHENOLIC RESIN	1	NATURAL
2	FRAME 框架	STEEL	1	Ni PLATED
1	KBOB 手柄	PA66	1	BLACK
NO 序号	Part name 部件名	Material 材料	QTY 数量	Remark 备注

A4				
A3				
A2				
A1				
REV	DATE	REVISION	DESCRIPTION	ISSUE



COMMON TOLERANCE

X.XX	± 0.10
X.X	± 0.15
X	± 0.25

ANGULAR

UNIT	MM	PROJECTED		PRODUCT NAME:
DRAWN BY	FUYUAN	CHECKED BY	COCO	MODEL NO: TP60421126
DATE	2019	APPROVAL B	ALEN	Https: www.rocpu.tw
ROCPCU TECHNOLOGY CO.,LTD				
Copies are issued in strict confidence and shall not be reproduced or copied, or used as the basic of manufacture or sale of apparatus without permission				