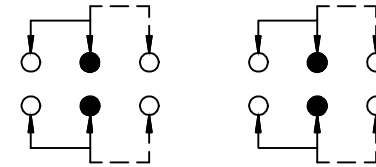
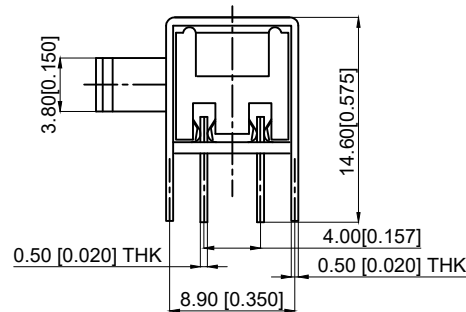
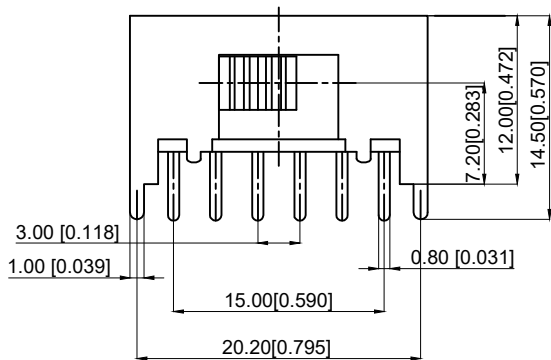


PCB LAYOUT BOTTOM VIEW



SCHEMATIC(SHORTING)

1. Specification:
1. 规范:
 2. Rating: 1.0A/DC24V
 3. 额定值: 1.0A/DC24V
 4. Contact resistance: $\leq 50\text{m}\Omega$
 5. 接触电阻: $\leq 50\text{m}\Omega$
 6. Operating temperature: -25°C to $+70^\circ\text{C}$
 7. 工作温度: -25°C 至 $+70^\circ\text{C}$
 8. Electrical life: 10,000 Cycles
 9. 电气寿命: 10000次
 7. Storage humidity: $< 85\% \text{RH}$
 8. 储存湿度: $< 85\% \text{RH}$
 9. Operating Force: $260 \pm 80\text{gf}$
 9. 操作力: $260 \pm 80\text{gf}$
 4. Insulation Resistance: $\geq 100\text{M}\Omega$ DC250V
 5. 绝缘电阻: $\geq 100\text{M}\Omega$ DC250V
 5. Compressive strength: AC250V 1minute
 5. 抗压强度: AC250V 1分钟



7	STEEL BALL 钢珠	STEEL	1	NATURAL
6	SPRING PLATE 簧片	STEEL WIRE	1	TEMPER
5	CONTACT CLIP 接触片	PBS STRIP	4	Ag CLAD
4	TERMINAL 端子	BRASS	12	Ag PLATED
3	BASE 底座	PHENOLIC RESIN	1	NATURAL
2	FRAME 框架	STEEL	1	Ni PLATED
1	KBOB 手柄	PA66	1	BLACK
NO 序号	Part name 部件名	Material 材料	QTY 数量	Remark 备注

A4				
A3				
A2				
A1				
REV	DATE	REVISION	DESCRIPTION	ISSUE
		A		B



COMMON TOLERANCE	
X.XX	± 0.10
X.X	± 0.15
X	± 0.25
ANGULAR	—

UNIT	MM	PROJECTED		PRODUCT NAME:
DRAWN BY	FUYUAN	CHECKED BY	COCO	MODEL NO: TP60421125
DATE	2019	APPROVAL B	ALEN	Https: www.rocpu.tw
ROCPCU TECHNOLOGY CO.,LTD				
Copies are issued in strict confidence and shall not be reproduced or copied, or used as the basic of manufacture or sale of apparatus without permission				