

电器性能规格 Electrical Characteristics:

额定电压 Rated Voltage: 24Vdc

接触电阻 Contact Resistance: 30 Mohm MAX

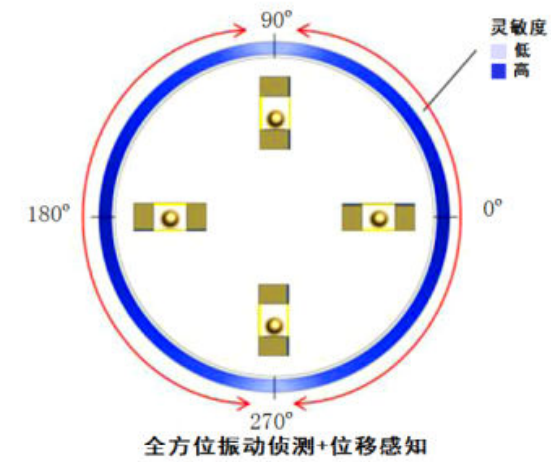
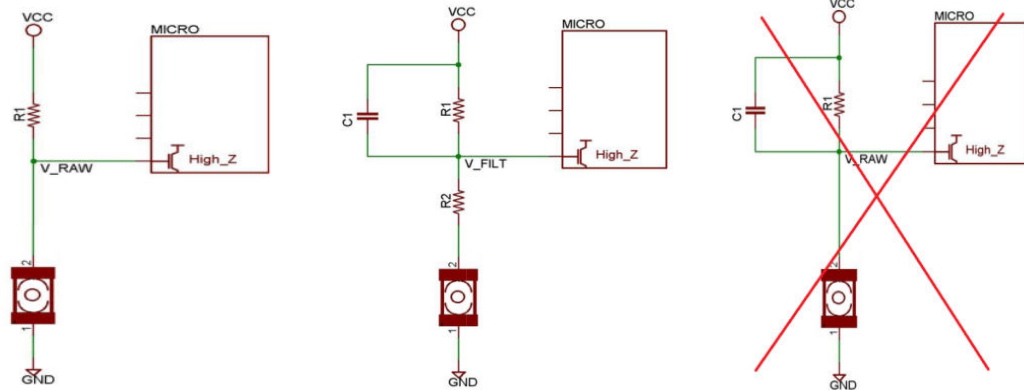
耐温 Temperature Range: -50 ~ 100

潮湿敏感等级 MSL : 1级

额定电流 Rated Current: 50nA(0.05uA)-10mA

绝缘电阻 Insulation Resistance: 100 Ohm Min

振动寿命 Vibration durability: 500 000 cycles



| | | | | |
|-----|------|----------|-------------|-------|
| A4 | | | | |
| A3 | | | | |
| A2 | | | | |
| A1 | | | | |
| REV | DATE | REVISION | DESCRIPTION | ISSUE |



| COMMON TOLERANCE | |
|------------------|--------|
| X.XX | ± 0.10 |
| X.X | ± 0.15 |
| X | ± 0.25 |
| ANGULAR | — |

| | | | | |
|----------|--------|------------|------|----------------------|
| UNIT | MM | PROJECTED | | PRODUCT NAME: |
| DRAWN BY | FUYUAN | CHECKED BY | COCO | MODEL NO: TP1625 |
| DATE | 2019 | APPROVAL B | ALEN | Https: www.rocpcu.tw |

ROCPCU TECHNOLOGY CO., LTD

Copies are issued in strict confidence and shall not be reproduced or copied, or used as the basis of manufacture or sale of apparatus without permission