

# GT-TC128X-HXXXXX-LX

**G-SWITCH**

**Operating Force**

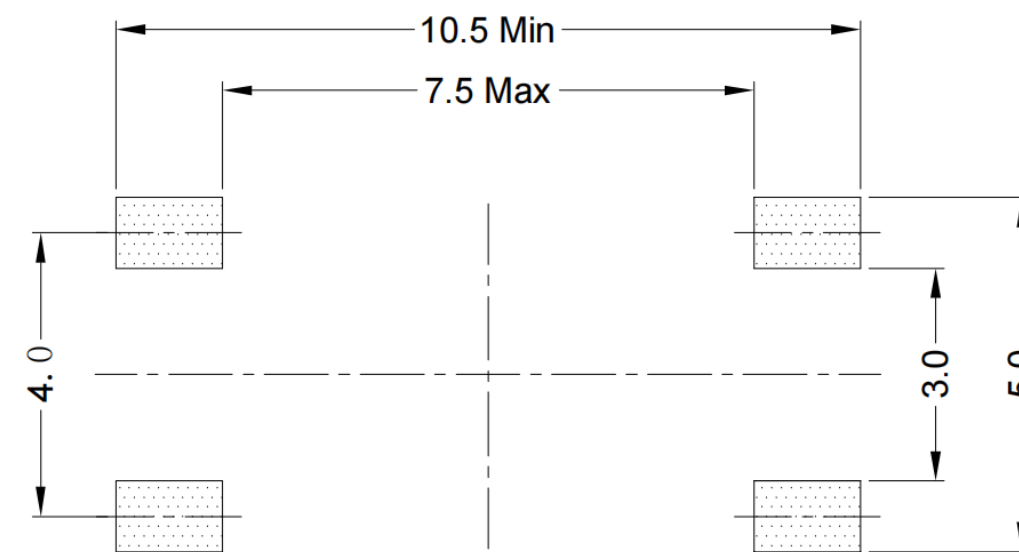
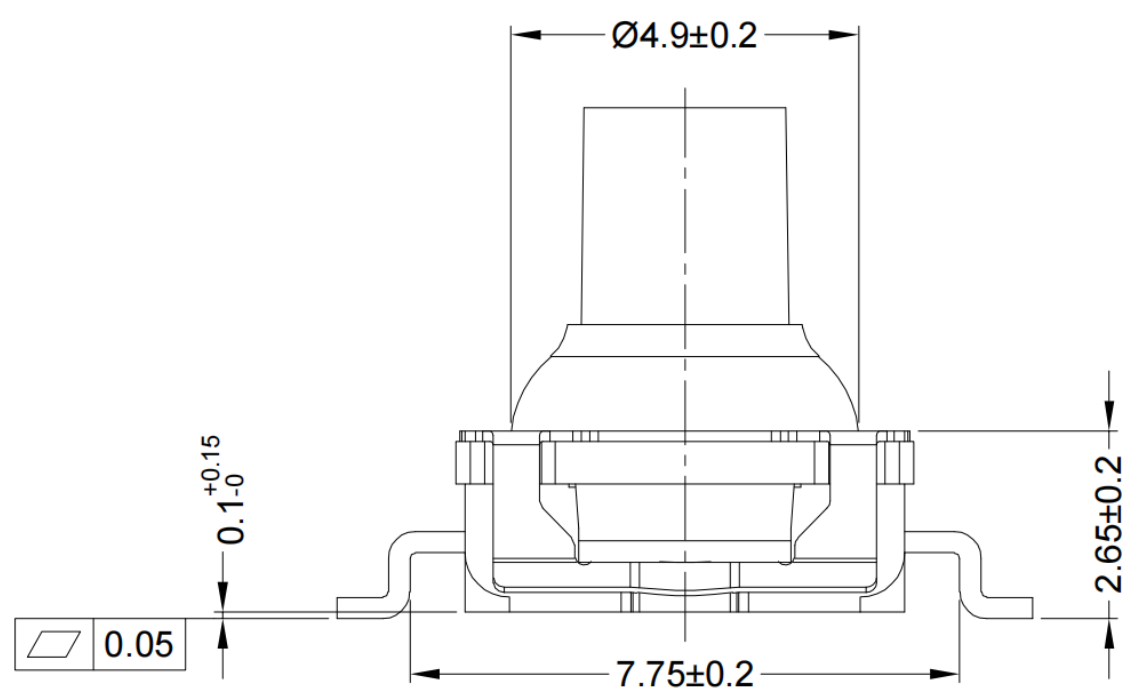
A=180gf  
B=250gf  
S=160gf

**Switch Height (mm)**

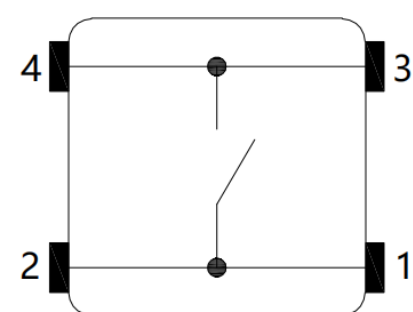
H072BB=7.2mm(黑柄蓝垫 160/250gf)  
H072RB=7.2mm(红柄蓝垫 180gf)  
H077RO=7.7mm(红柄橙垫 180gf)  
H077BB=7.7mm(黑柄蓝垫 250gf)  
H077B0=7.7mm(黑柄橙垫 250gf)

**Switch lifetime (Force)**

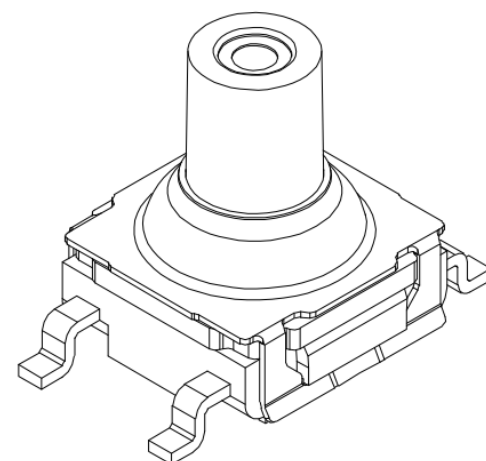
L3=300,000 Cycles(A、B)  
L5=500,000 Cycles(A)



**P.C.B LAND DIMENSION  
TOP VIEW**

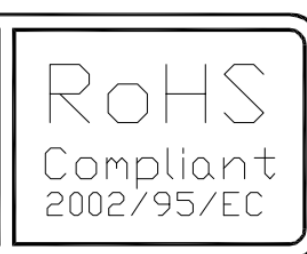
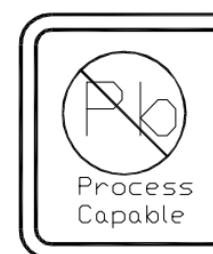


**CIRCUIT DIAGRAM**



**G-Switch Specification:**

Operating temperature range: -40°C to +85°C  
Rating: 50mA, 12V DC  
Insulation resistance: 100MΩ min, 100V DC  
Dielectric strength: 250V AC for 1 min  
Contact resistance: 100m Ω max.  
Travel: 0.40±0.2mm  
Water Resistance: IP67



**G-Switch Electronic (HongKong) CO.,Ltd.**

Unless otherwise specified, Tolerance:  
X. ±0.30  
X.x ±0.20  
X.xx ±0.15  
X.xxx ±0.10  
Angles ±3°

DESIGN FengFengChen DATE 2019.05.29  
CHECKED DATE  
APPROVED DATE  
<http://www.dg-switch.com>  
TEL:0769-82388879

Molde code:  
**GT-TC128X-HXXXXX-LX**  
REV.: X1 SCALE: 4:1 UNIT: mm  
SIZE: A4 SHEET: 1/1