

■ Features

- High current type.
- Ferrite bobbin core and compact size.
- Low core loss for high frequency power application.
- Large terminal surface for good PCB bonding.
- Operating temperature: -40°C ~ +125°C.

■ Applications

- Portable communication equipment.
- Notebook PC, digital camera, LCD television set.
- Power supply for VTR, OA equipment.
- DC/DC converters.

■ Product Identification

YPRH □□□□ - □□□ □
(1) (2) (3) (4)

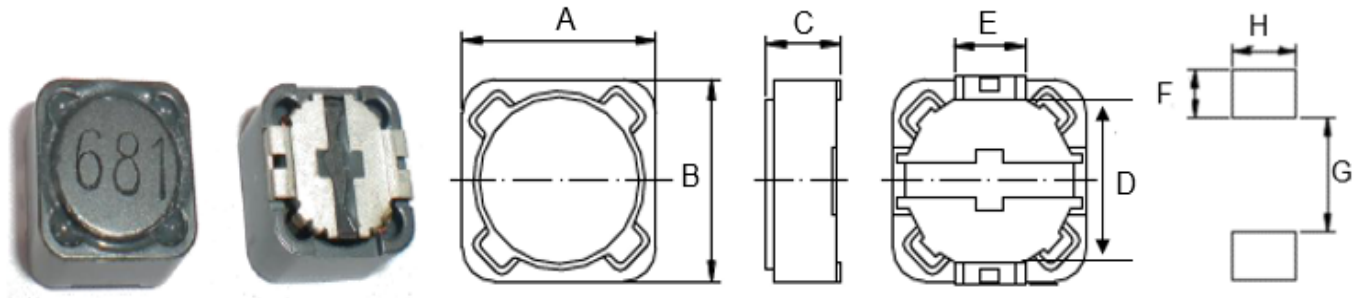
(1) : Type

(2) : Dimensions

(3) : Inductance value

(4) : Inductance Tolerance; N=±30%, M=±20%, K=±10%

■ Shapes and Dimensions (Unit: mm)



TYPE	A	B	C max	D	E	F Ref.	G Ref.	H Ref.
YPRH1209	12.0±0.5	12.0±0.5	10.0	7.60±0.2	5.0	2.8	7.0	5.4

■ YPRH1209 Series

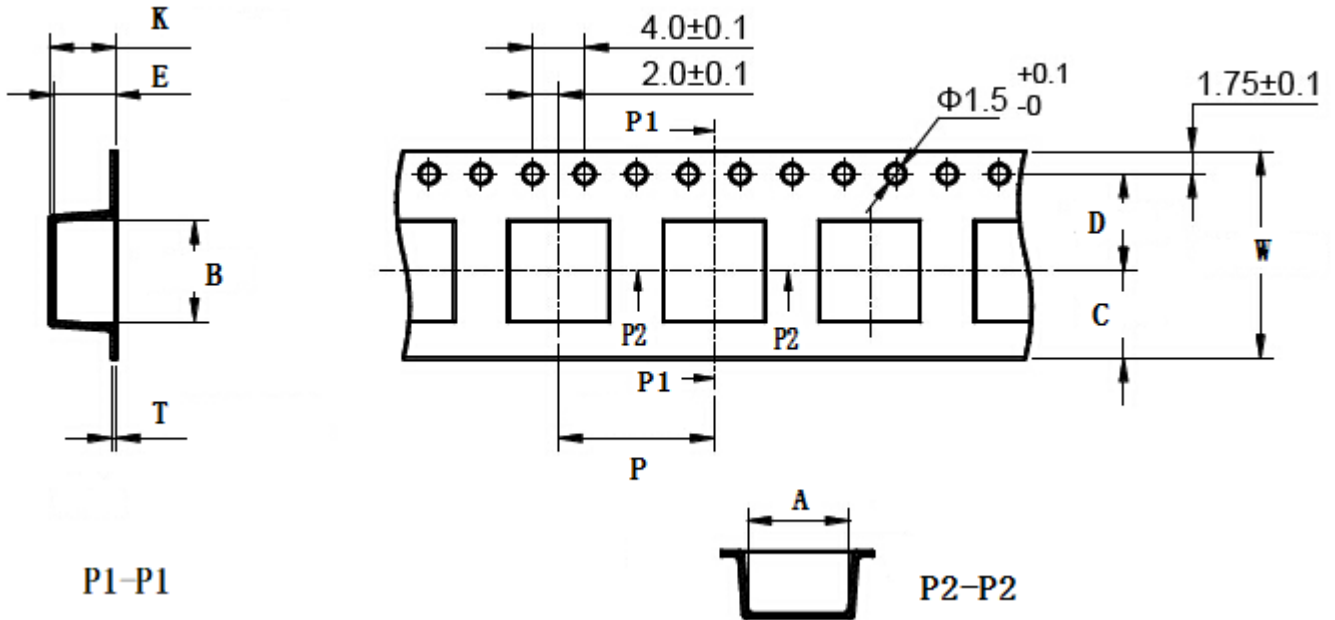
Part Number	Inductance (uH)	L Test Frequency (KHz)	Max.DCR (Ω)	I sat (A)
YPRH1209-1R5□	1.5uH	100	0.017	13.00
YPRH1209-2R2□	2.2uH	100	0.020	9.50
YPRH1209-3R3□	3.3uH	100	0.023	9.00
YPRH1209-5R6□	5.6uH	100	0.025	8.50
YPRH1209-8R2□	8.2uH	100	0.028	8.00
YPRH1209-272□	2700uH	100	3.450	0.51
YPRH1209-332□	3300uH	100	5.090	0.49
YPRH1209-472□	4700uH	100	6.200	0.41
YPRH1209-682□	6800uH	100	9.000	0.35
YPRH1209-822□	8200uH	100	10.00	0.31
YPRH1209-103□	10000uH	100	13.50	0.28

※ The saturation current value is the DC current value having inductance decrease down to 30%. (at 20°C)

※ The temperature rise current value is the DC current value having temperature increase up to 40°C. (at 20°C)

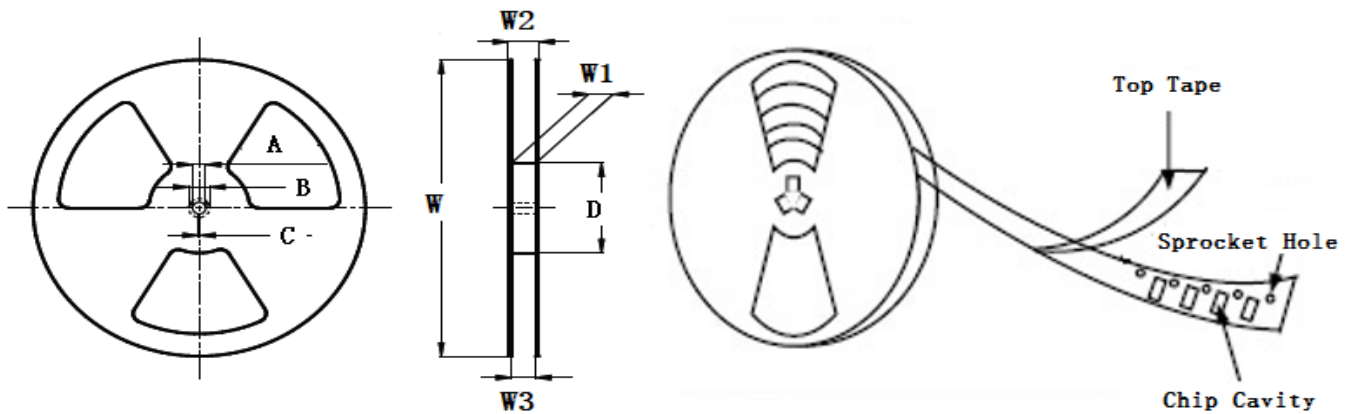
※ The rated current is the DC current value that satisfies both of current value saturation current value and temperature rise current value.

■ Taping Dimensions(Unit:mm)



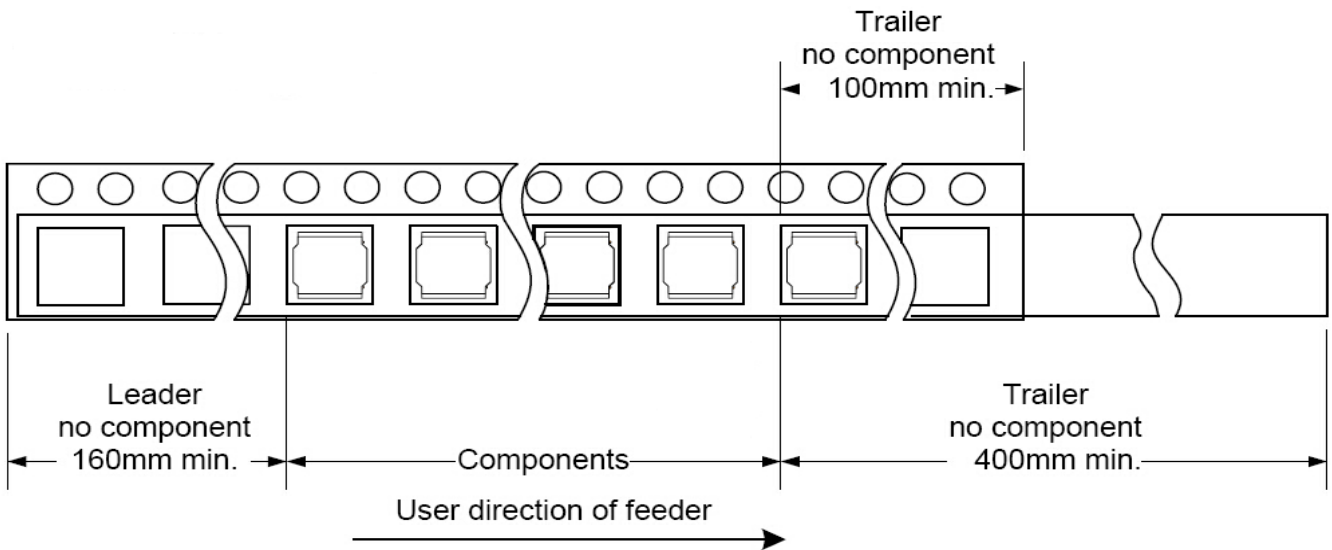
TYPE	MPQ	W	A	B	C	D	E	P	K	T
YPRH1209	400	24±0.3	12.6±0.1	12.6±0.1	10.75	11.5±0.1	8.2±0.1	20±0.1	10 Ref	0.4±0.05

■ Reel Dimensions(Unit:mm)

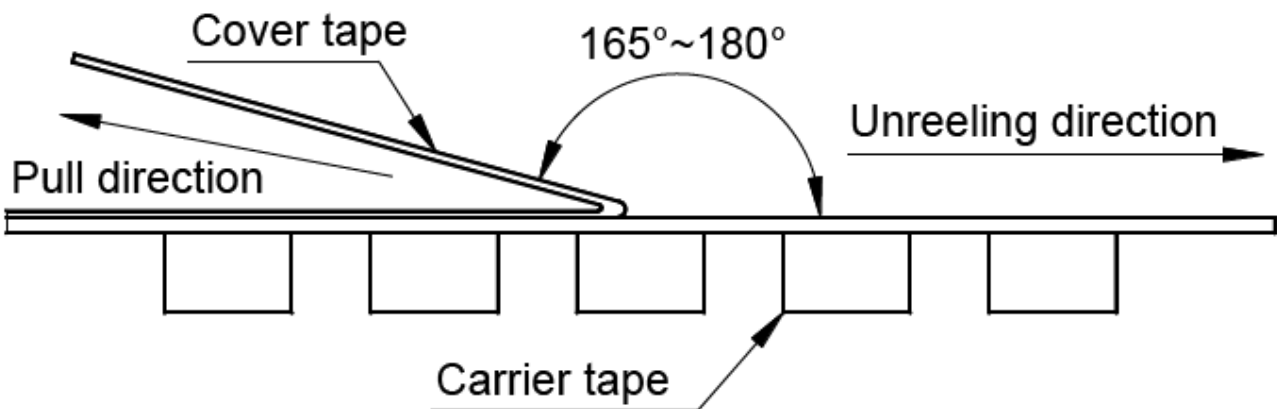


TYPE	W	W1	W2	W3	A	B	C	D
YPRH1209	330±2.00	24.4±1.50	30.40 Max	23.90 Min	13.0±0.50	21.0±0.80	2.0±0.50	100 Min

Direction of rolling



Cover tape peel off condition



Cover tape peel force shall be 0.1N to 1.3N.

Reference peel speed 300±10mm/min.