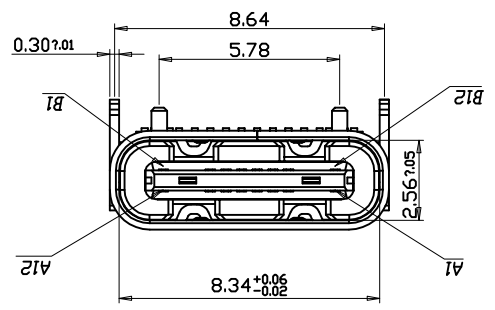
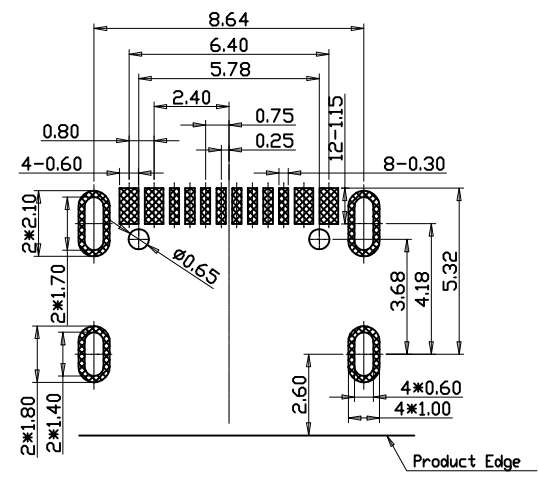
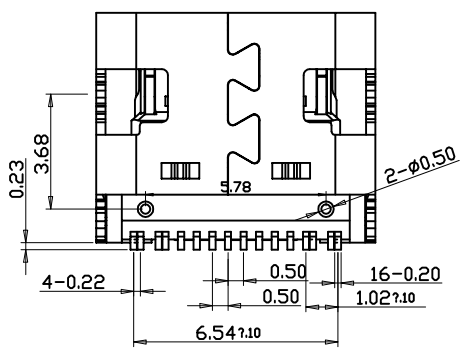
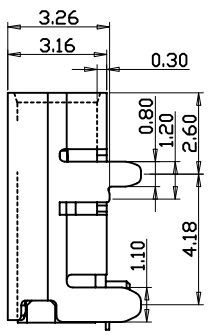
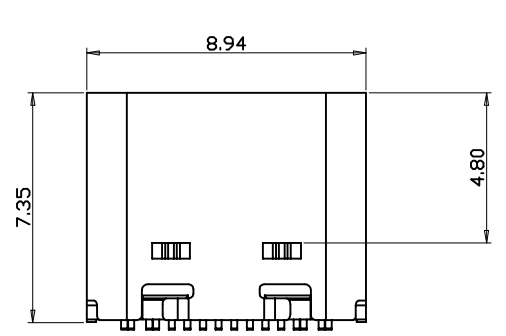


|     |      |                      |           |            |
|-----|------|----------------------|-----------|------------|
| 修改  | 标记   | 修改摘要                 | 签名        | 日期         |
| REV | MARK | REVISION DESCRIPTION | SIGNATURE | DATE       |
| AO  |      | NEW DRG              |           | 2016-03-12 |

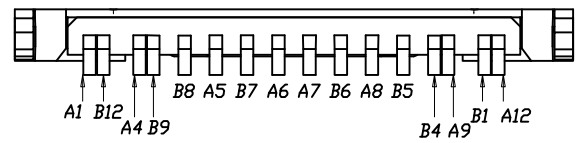
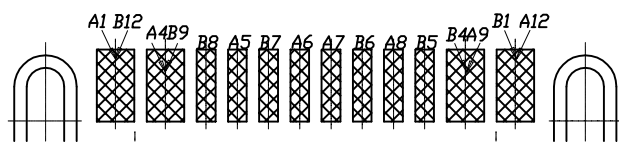
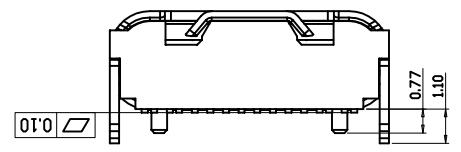


**SPECIFICATIONS:**

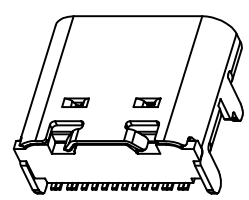
- ELECTRICAL CHARACTERISTICS:**
  - CONTACT RESISTANCE: 30mΩ MAX.
  - DIELECTRIC WITHSTANDING VOLTAGE: 100V AC FOR ONE MINUTE.
  - INSULATION RESISTANCE: 100MΩ MIN. MEASURED BY 500 VDC
- MECHANICAL CHARACTERISTICS:**
  - INSERTION FORCE :0.5-2.0Kgf(REF.)
  - WITHDRAWAL FORCE :0.8-2.0Kgf(REF.)
- LIFE TEST:** 10,000 CYCLES.
- TO CONFORM TO THE KRCONN HAZARDOUS SUBSTANCE FREE SPEC.**




RECOMMENDED P.C.B. LAYOUT (T:1.00mm)  
TOLERANCE UNSPECIFIED ±0.05mm




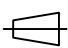
|     |             |     |             |
|-----|-------------|-----|-------------|
| A1  | GND         | B12 | GND         |
| A4  | VBUS        | B9  | VBUS        |
| A5  | CC1         | B8  | SBU2        |
| A6  | DP1         | B7  | DN2         |
| A7  | DN1         | B6  | DP2         |
| A8  | SBU1        | B5  | CC2         |
| A9  | VBUS        | B4  | VBUS        |
| A12 | GND         | B1  | GND         |
| PIN | SIGNAL NAME | PIN | SIGNAL NAME |



|     |                 |                          |              |      |
|-----|-----------------|--------------------------|--------------|------|
| 6   | SHELL           | STAINLESS STEEL          | NI Plated    | 1PCS |
| 5   | SHIELDING PLATE | STAINLESS STEEL          | ---          | 1PCS |
| 4   | MD              | HIGH TEMPERATURE PLASTIC |              | 1PCS |
| 3   | CONTACT         | COPPER ALLOY             | Au/Ni Plated | 1SET |
| 2   | CONTACT         | COPPER ALLOY             | Au/Ni Plated | 1SET |
| 1   | HOUSING         | HIGH TEMPERATURE PLASTIC |              | 1PCS |
| NO. | DESCRIPTION     | MATERIAL                 | REMARKS      | QTY  |



深圳市华德共创科技有限公司  
Shenzhen Huade co-create Technology Co., LTD  
电话: 0755-23304126 传真: 0755-29940187

|   |            |   |   |             |
|---|------------|---|---|-------------|
| -TOLERANCES-<br>UNLESS OTHERWISE SPECIFIED<br>公差参数表 |            |   | TITLE:<br>产品名称: TYPE C 16PIN卧式带钢片浅蓝色 (980C) |             |
| X.X ±0.30   | X.X* ±3°   | APPD:<br>核准:  | PART NO:<br>产品编号: TYPE C-ZL-104PWB          |             |
| X.XX ±0.20  | X.XX* ±2°  | CHECK:<br>校对: 王建业   | DATE  | SCALE       |
| X.XXX ±0.10   | X.XXX* ±1° | DRAW:<br>绘图: 黄艳兰  | UNIT  | CODE NUMBER |
|   |            |   | 2016-03-12                                  | 1:1 mm A001 |

由Autodesk教育版产品制作

由Autodesk教育版产品制作