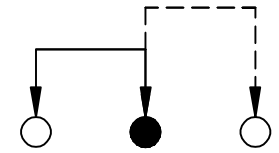
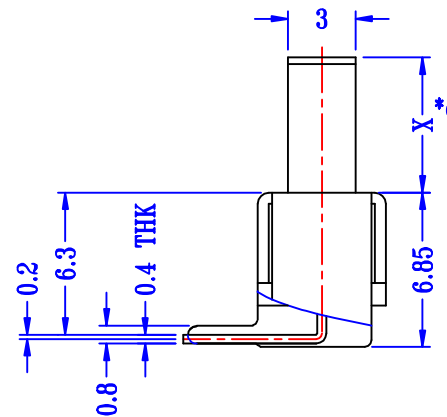
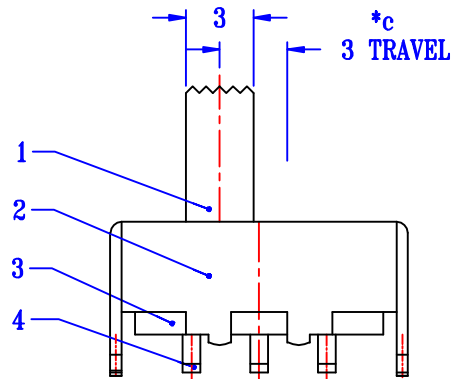
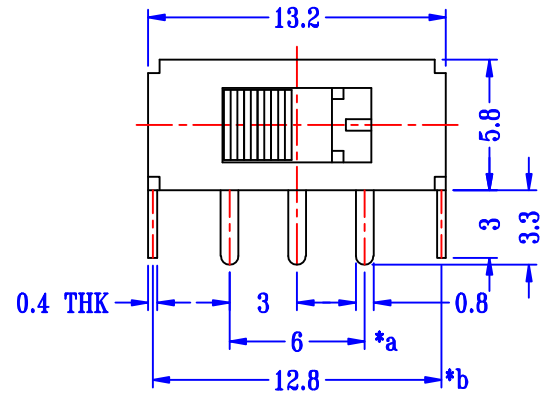
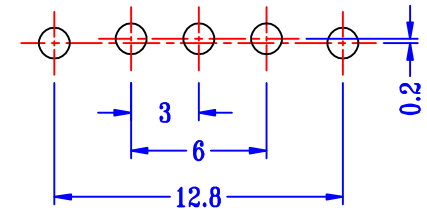


CAD FILE:

Kinghelm®



SCHEMATIC (NON-SHORTING)



P.C.B LAYOUT
BOTTOM VIEW

注：“*” 表示关键尺寸(4个).

NO.	PARTS	MATERIALS	Q'TY	FINISH	TOLERANCE UNLESS SPECIFIED				
8									
7									
6	SPRING	STEEL WIRE	1	NATURAL	WITHIN 1.5mm : ±0.1mm	A	2012-8-20	初版	李燕
5	CONTACT	BRASS STRIP	1	Ag PLATED	OVER 1.5mm : ±0.2mm	ISSUE	DATE	DESCRIPTIONS OF REVISION	APPD.
4	TERMINAL	BRASS STRIP	3	Ag PLATED	TITLE : VERTICAL SLIDE SWITCH		UNIT : mm	DRWG NO.: SS12F23	
3	BASE	PHENOLIC RESIN	1	NATURAL	MODEL: SS12F23		SCALE: 3:1	DWN.	李丽珍 2012-8-20
2	FRAME	STEEL STRIP	1	Ni PLATED	深圳市金航标电子有限公司		www.kinghelm.com.cn	CHK'D	李燕 2012-8-20
1	KNOB	POM	1	BLACK	KH-SS12F23-G6		0755-28190160	APPD.	李燕 2012-8-20