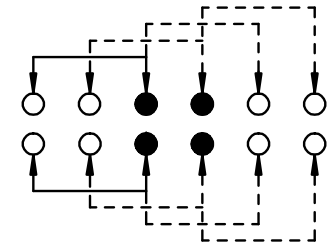
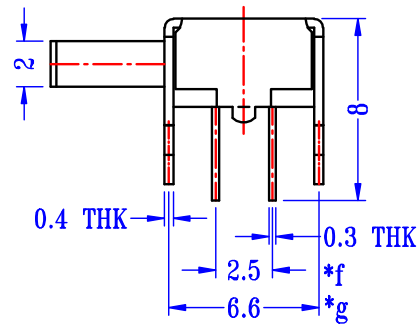
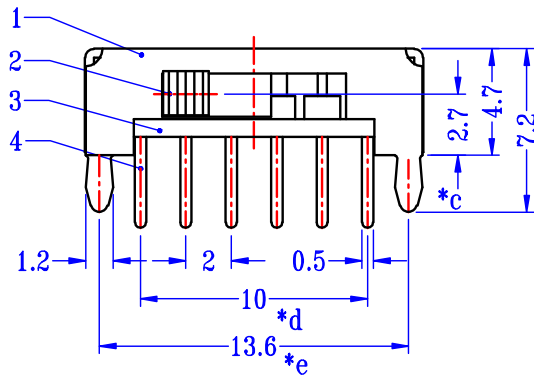
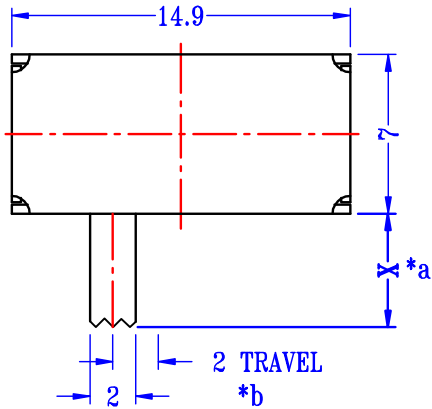
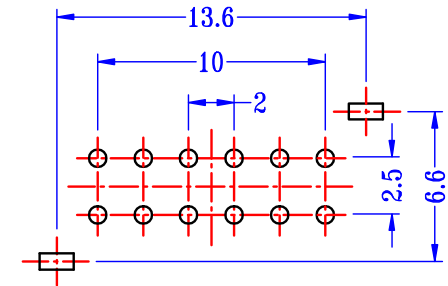


CAD FILE:

Kinghelm®



SCHMATIC (SHORTING)



P.C.B LAYOUT
BOTTOM VIEW

注: *表示关键尺寸(7个).

| NO. | PARTS | MATERIALS | Q'TY | FINISH | TOLERANCE UNLESS SPECIFIED | | | | | | | | |
|-----|--------------|----------------|------|-----------|---------------------------------|--------|-------|-----------|--------------------------|-------------------|-------|-----------|-----------|
| 8 | | | | | WITHIN 1.5mm | ±0.1mm | A | 2012-9-25 | 初版 | | | 李燕 | |
| 7 | | | | | OVER 1.5mm | ±0.2mm | ISSUE | DATE | DESCRIPTIONS OF REVISION | | | APPD. | |
| 6 | SPRING PLATE | PBS STRIP | 1 | NATURAL | TITLE : HORIZONTAL SLIDE SWITCH | | | | UNIT : mm | DRWG NO.: SK24D02 | | | |
| 5 | CONTACT CLIP | PBS STRIP | 2 | Ag PLATED | MODEL: SK24D02 | | | | SCALE: 3:1 | DWN. | 吴开明 | 2012-9-25 | |
| 4 | TERMINAL | BRASS STRIP | 12 | Ag PLATED | 深圳市金航标电子有限公司 | | | | www.kinghelm.com.cn | | CHK'D | 李燕 | 2012-9-25 |
| 3 | BASE | PHENOLIC RESIN | 1 | NATURAL | KH-SK24D02-VG4 | | | | 0755-28190160 | | APPD. | 李燕 | 2012-9-25 |
| 2 | KNOB | POM | 1 | BLACK | | | | | | | | | |
| 1 | FRAME | STEEL STRIP | 1 | Ni PLATED | | | | | | | | | |