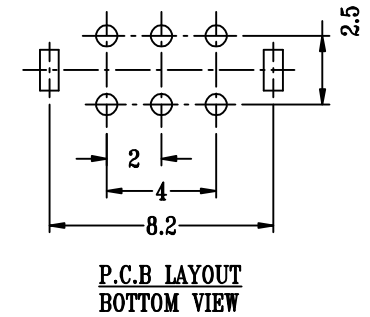
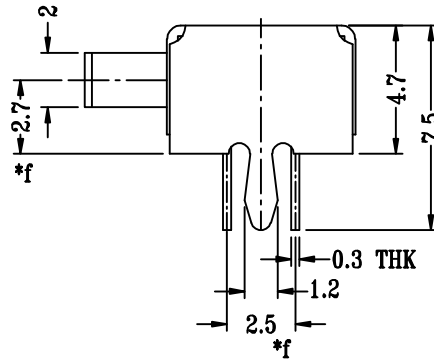
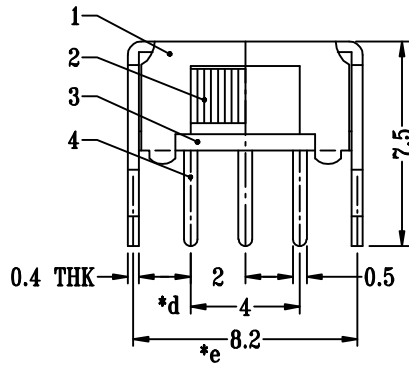
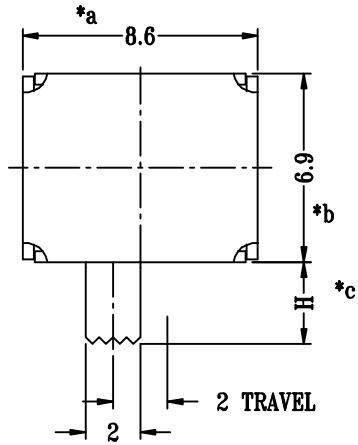
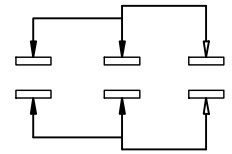


Kinghelm®



SCHMATIC



H=XXmm

| | | | | | TOLERANCE UNLESS SPECIFIED | | | | | | |
|-----|--------------|----------------|-----|-----------|----------------------------|---------|---------------------|-----------|----------|----|---------|
| | | | | | UP TO 5mm: ±0.1 | ANGULAR | | | | | |
| | | | | | ABOVE 5mm: ±0.2 | ±1° | 1 | | | | |
| | | | | | NO | DATE | REVISIONS | | | BY | APPD |
| 6 | SPRING PLATE | SUS | 1 | NATURAL | TITLE:SIDE KNOB SWITCH | | UNIT : MM | ROHS | DWN | | |
| 5 | CONTACT CLIP | PBS STRIP | 2 | Ag PLATED | MODEL:SK22D07 | | SCALE: 1:1 | COMPLIANT | CHK'D | | |
| 4 | TERMINAL | BRASS STRIP | 6 | Ag PLATED | 深圳市金航标电子有限公司 | | www.kinghelm.com.cn | | APPD | | |
| 3 | BASE | PHENOLIC RESIN | 1 | NATURAL | KH-SK22D07-G5 | | 0755-28190160 | | PRO.AGL: | | REV :A0 |
| 2 | KNOB | POM | 1 | BLACK | | | | | | | |
| 1 | FRAME | STEEL STRIP | 1 | Ni PLATED | | | | | | | |
| NO. | PART NAME | MATERIAL | QTY | FINISHING | | | | | | | |