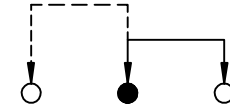
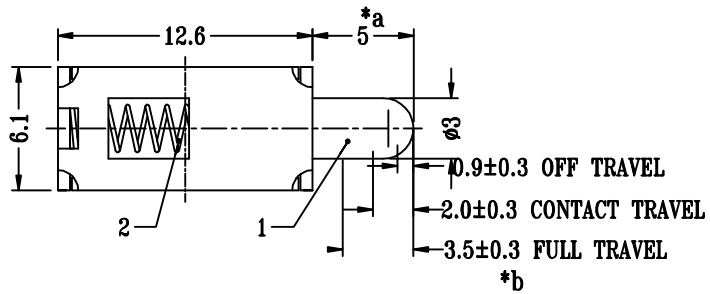
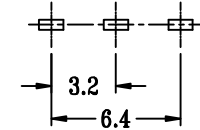
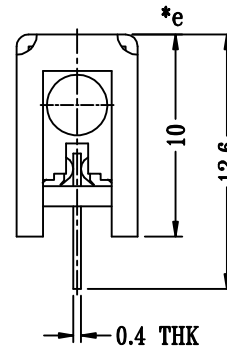
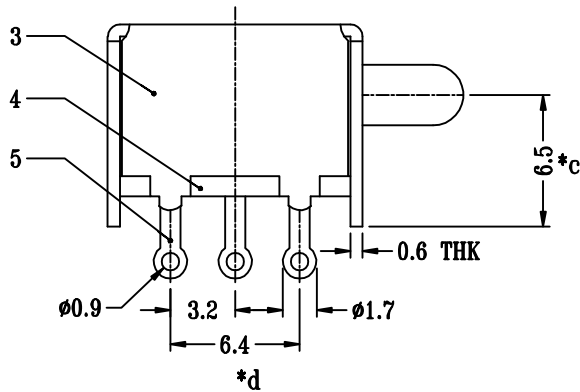


Kinghelm®



SCHEMATIC (NON-SHORTING)



**P.C.B LAYOUT
BOTTOM VIEW**

注：“*”表示关键尺寸(5个).

NO.	PARTS	MATERIALS	Q'TY	FINISH	TOLERANCE UNLESS SPECIFIED	ISSUE	DATE	DESCRIPTIONS OF REVISION	APPD.
8									
7									
6	CONTACT CLIP	PBS STRIP	1	Ag PLATED	WITHIN 1.5mm : ±0.1mm	A	2012-8-8	初版	
5	TERMINAL	BRASS STRIP	3	Ag PLATED	OVER 1.5mm : ±0.2mm	ISSUE	DATE	DESCRIPTIONS OF REVISION	APPD.
4	BASE	PHENOLIC RESIN	1	NATURAL	TITLE : PUSH SWITCH			UNIT : mm	DRWG NO.: PS12F03GR5
3	FRAME	STEEL STRIP	1	Ni PLATED	MODEL: PS12F03-GR5 有孔			SCALE: 3:1	DWN. 2012-8-8
2	SPRING	STEEL WIRE	1	NATURAL	深圳市金航标电子有限公司			www.kinghelm.com.cn	CHK'D 2012-8-8
1	KNOB	POM	1	BLACK	KH-PS12F03-G5			0755-28190160	APPD.