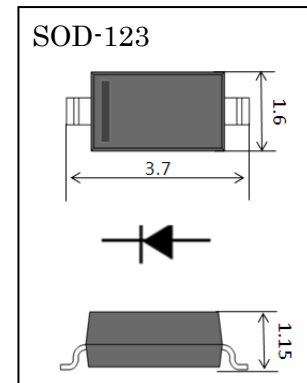


- ◇ High breakdown Voltage
- ◇ Low Forward Voltage Schottky Rectifier
- ◇ **SOD123** Micro SMD package
- ◇ RoHS compliant / Green EMC
- ◇ Matte Tin (Sn) Lead finish
- ◇ Cathode Band / Device marking

Device Marking Code	
<b>BAT46W</b>	<b>S9/L6</b>


**Maximum Ratings (Ta = 25 °C)**

Symbol	Parameter	value	Units
$V_{RM}$	Non-Repetitive Peak Reverse Voltage	100	V
$V_{RRM}$	Repetitive Peak Reverse Voltage	100	V
$V_{R(RMS)}$	RMS Reverse Voltage	70	V
$V_{FSM}$	Peak forward surge current @=8.3ms	750	mA
$I_O$	Average Rectified Output Current	150	mA
$P_D$	Power Dissipation	200	mW
$T_J$	Junction Temperature	125	°C
$T_{STG}$	Storage Temperature	-55 to +125	°C

**Electrical Characteristics (Ta = 25 °C)**

Symbol	Parameter	Test Conditions	Min	Max	Units
$V_{BR}$	Reverse Breakdown Voltage	$I_R=100\mu A$	100		
$V_F$	Forward Voltage	$I_F=0.1mA$ $I_F=10 mA$ $I_F=250 mA$		0.25 0.45 1	V
$I_R$	Reverse current	$V_R=10V$ $V_R=50V$ $V_R=75V$		0.8 2.0 5.0	$\mu A$

**Electrical Characteristics (Ta = 25 °C)**

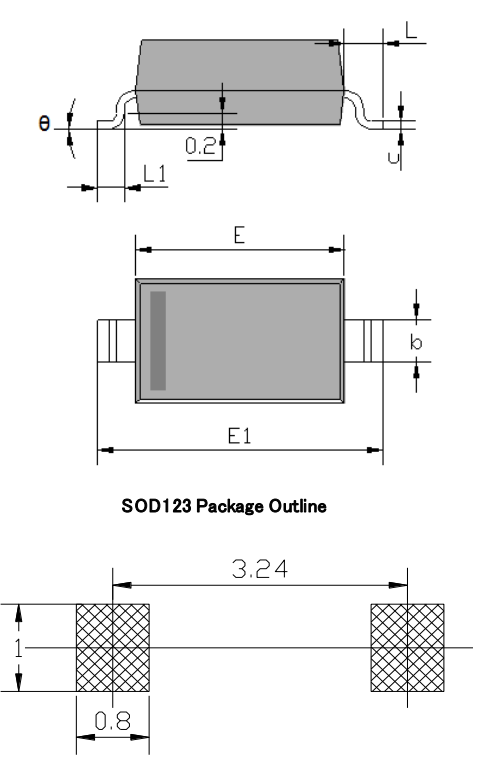
Symbol	Parameter	Test Conditions	Min	Max	Units
Ctot	Total capacitance	V <sub>R</sub> =0V,f=1MHz V <sub>R</sub> =1V,f=1MH		10 6	pF

**Ordering Information**

Device	Package	Shipping	Tape wide	Emboss pitch	Tape specification	Notes
BAT46W	SOD123	Tape & Reel 3000pcs /7" Reel	8 mm	4 mm	Conductive	

**Package Dimensions**

**Package outline : SOD-123**



Unit	A	A1	A2	b	c	D	E	E1	L	L1	θ
Max.	1.25	0.10	1.15	0.65	0.15	1.70	2.80	3.85	0.500 REF.	0.45	8°
Min.	1.05	0.00	1.05	0.45	0.08	1.50	2.60	3.55		0.25	0°

**SOD123 Package Outline**

**Land Pattern Recommendation**

**Note:**

1. Halogen free,EMC
2. Pb free solder
3. Lead thickness includes solder plating
4. Lead frame: A42
5. Other Tolerance: ±0.05
6. Dimensions are exclusive of Burrs,Mold Flash and Tie Bar extrusions
7. Unit: mm