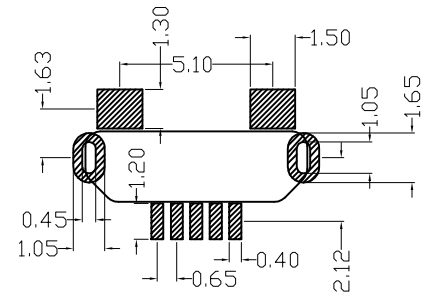
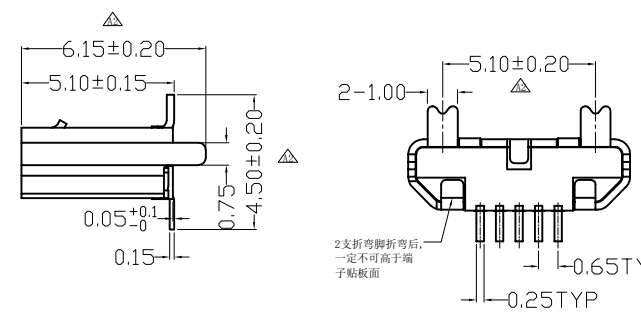
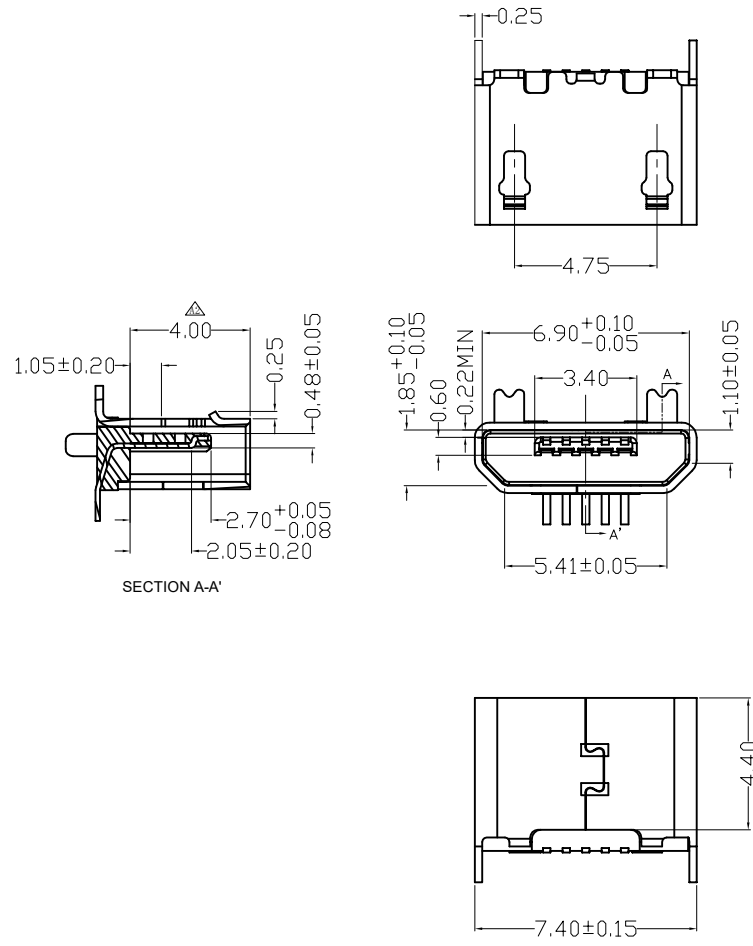


REV	MARK	修改摘要 REVISION DESCRIPTION	签名 SIGNATURE	日期 DATE
AO		NEW DWG		2016-03-12

规格说明: Specifications:
 电气特性: Electrical:
 1. 额定电流: Current Rating
 1.5A/contact terminal
 2. 额定电压: Voltage Rating
 30V DC
 3. 接触阻抗: Contact Resistance
 30 milliohms MAX
 4. 耐电压: Dielectric Withstanding Voltage:
 500 V AC AT Sea Level
 5. 绝缘阻抗: Insulation Resistance:
 1000MEGA ohms MIN

物理性能: Mechanical:
 1. 插拔力: Connector Mate and Unmate Force
 Mate force: 3.57kgf (MAX)
 Unmate force: 1.02kgf (MIN)
 2. 端子保持力: Terminal Retention
 1.2kgf (MIN)

原材料: Material:
 1. 塑胶: Housing:
 Hing Temperature Thermoplastics,
 U1 94V-0 LCP White/Black
 2. 端子: Contact: Copper Alloy C5191
 3. 外壳: Shell: Copper Alloy
 电镀: Finish:
 1. 端子: Contact: Plated Gold in Mating Area;
 半金锡 1U
 2. 外壳: Shell:
 Nickel Plating



RECOMMENDED PCB LAYOUT
 TOLERANCE: ±0.05

		深圳市华德共创科技有限公司 Shenzhen Huade co-create Technology Co., LTD 电话: 0755-23304126 传真: 0755-29940187						
-TOLERANCES- UNLESS OTHERWISE SPECIFIED 公差参数表				TITLE: 产品名称: 立贴H5.0加塞编带铜壳				
X.X	±0.30	X.X*	±3°	APPD: 核准:	PART NO: 产品编号: MICRO-ZL-106PWB			
X.XX	±0.20	X.XX*	±2°	CHECK: 校对: 王建业	DATE	SCALE	UNIT	CODE NUMBER
X.XXX	±0.10	X.XXX*	±1°	DRAW: 绘图: 黄艳兰	2016-03-12	1:1	mm	A001

由Autodesk教育版产品制作

由Autodesk教育版产品制作