

修 订	标 记	修 改 描 述	签 名	日 期
REV	MARK	REVISION DESCRIPTION	SIGNATURE	DATE
AO		NEW DWG		2016-03-12

规格说明: Specifications:

电气特性: Electrical:

1. 额定电流: Current Rating
1.5A/contact terminal
2. 额定电压: Voltage Rating
30V DC
3. 接触阻抗: Contact Resistance
30 milliohms MAX
4. 耐电压: Dielectric Withstanding Voltage:
500 V AC AT Sea Level
5. 绝缘阻抗: Insulation Resistance:
1000MEGA ohms MIN

物理性能: Mechanical:

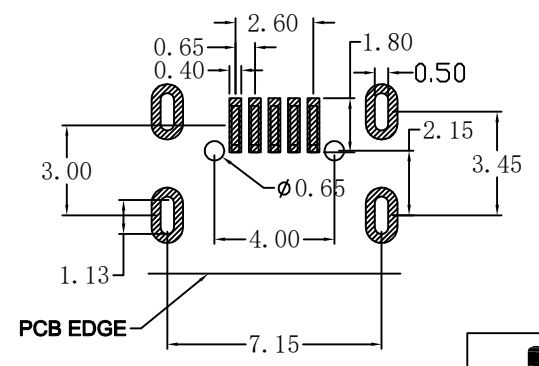
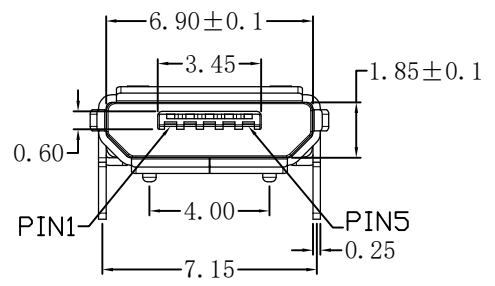
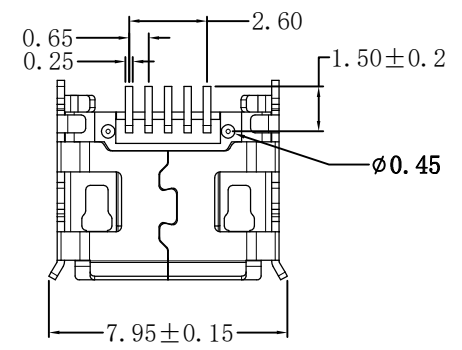
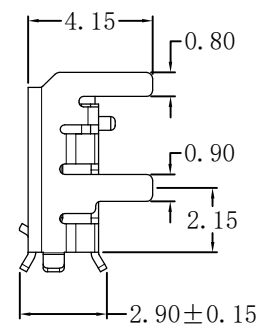
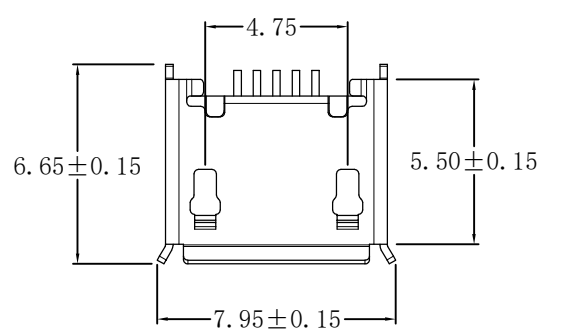
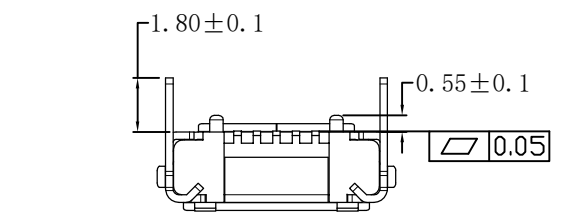
1. 插拔力: Connector Mate and Unmate Force
Mate force: 3.57kgf (MAX)
Unmate force: 1.02kgf (MIN)
2. 端子保持力: Terminal Retention
1.2kgf (MIN)

原材料: Material:


1. 塑胶: Housing:
Hing Temperature Thermaplastics,
U1 94V-0 LCP White/Black
2. 端子: Contact: Copper Alloy C5191
3. 外壳: Shell: Copper Alloy

电镀: Finish:

1. 端子: Contact: Plated Gold in Mating Area;
半金锡 1U
2. 外壳: Shell:
Nickel Plating



RECOMMENDED PCB LAYOUT
TOLERANCE: ±0.05

		深圳市华德共创科技有限公司 Shenzhen Huade co-create Technology Co., LTD 电话: 0755-23304126 传真: 0755-29940187			
		TITLE: MICRO四脚长脚卷边铜壳镀镍有柱 产品名称: 针长1.5			
X.X ±0.30 X.XX ±0.20 X.XXX ±0.10	X.X* ±3° X.XX* ±2° X.XXX* ±1°	APPD: 核准: CHECK: 王建业 DRAW: 黄艳兰 绘图:	PART NO: 产品编号: MICRO-ZL-105PWB	DATE 2016-03-12	SCALE 1:1 UNIT mm CODE NUMBER A001

由 Autodesk 教育版产品制作

由 Autodesk 教育版产品制作