

REV	MARK	修改摘要	签名	日期
NO		REVISION DESCRIPTION	SIGNATURE	DATE
		NEW DRG		2016-03-12

规格说明: Specifications:

电气特性: Electrical:

1. 额定电流: Current Rating
1.5A/contact terminal
2. 额定电压: Voltage Rating
30V DC
3. 接触阻抗: Contact Resistance
30 milliohms MAX
4. 耐电压: Dielectric Withstanding Voltage:
500 V AC AT Sea Level
5. 绝缘阻抗: Insulation Resistance:
1000MEGA ohms MIN

物理性能: Mechanical:

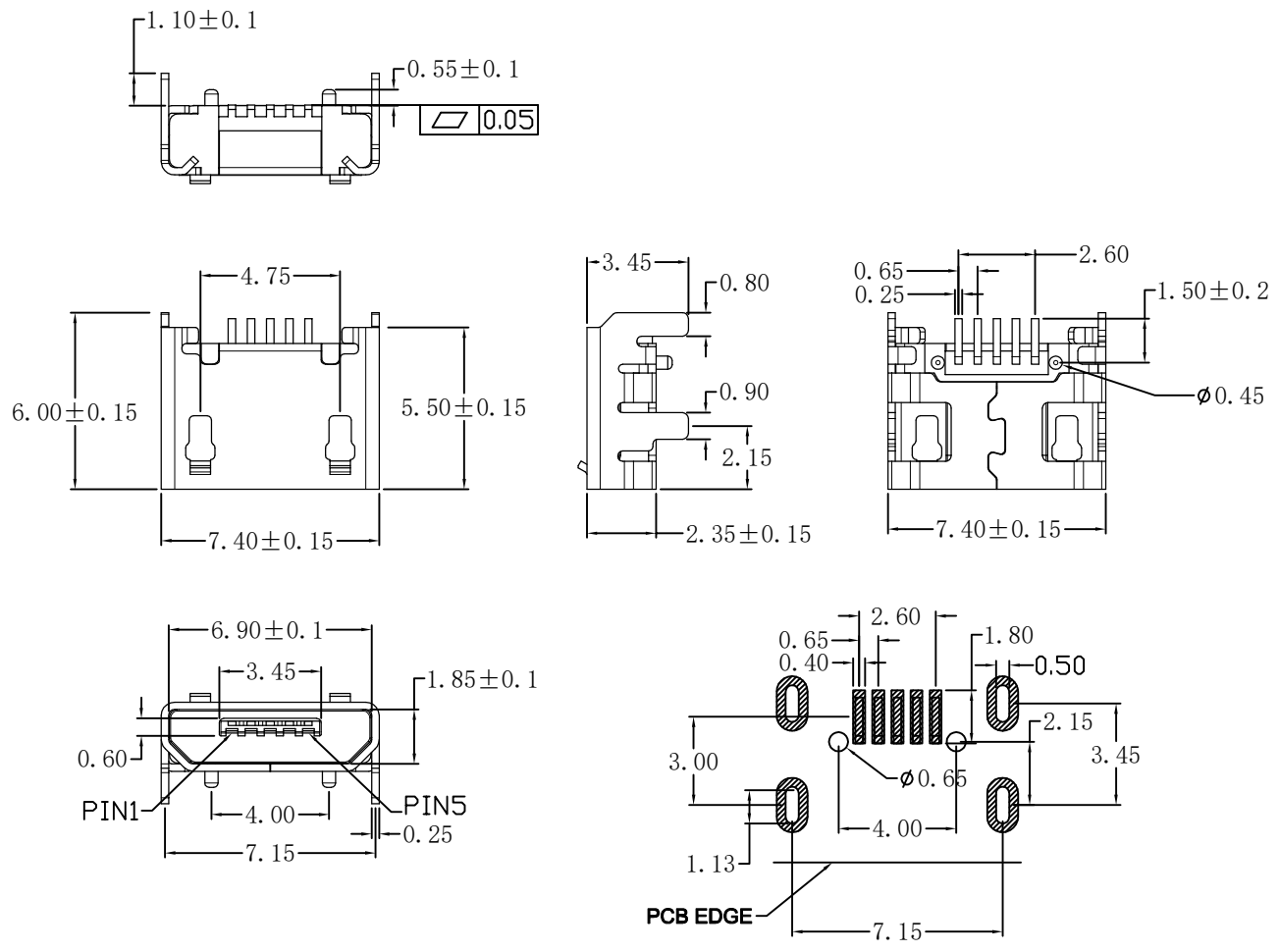
1. 插拔力: Connector Mate and Unmate Force
Mate force: 3.57kgf (MAX)
Unmate force: 1.02kgf (MIN)
2. 端子保持力: Terminal Retention
1.2kgf (MIN)

原材料: Material:



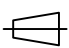
1. 塑胶: Housing:
Hing Temperature Thermoplastics,
U1 94V-0 LCP White/Black
2. 端子: Contact: Copper Alloy C5191
3. 外壳: Shell: Copper Alloy SUS304

电镀: Finish:

1. 端子: Contact: Plated Gold in Mating Area;
半金锡 1U
2. 外壳: Shell:
Nickel Plating



RECOMMENDED PCB LAYOUT
TOLERANCE: ±0.05

		深圳市华德共创科技有限公司 Shenzhen Huade co-create Technology Co., LTD 电话: 0755-23304126 传真: 0755-29940187			
-TOLERANCES- UNLESS OTHERWISE SPECIFIED 公差参数表		 		TITLE: MICRO四脚短脚平口铜壳镀镍有柱 产品名称: 针长1.5	
X.X	±0.30	X.X*	±3°	APPD: 核准:	PART NO: 产品编号: MICRO-ZL-102PWB
X.XX	±0.20	X.XX*	±2°	CHECK: 校对: 王建业	DATE SCALE UNIT CODE NUMBER
X.XXX	±0.10	X.XXX*	±1°	DRAW: 绘图: 黄艳兰	2016-03-12 1:1 mm A001

由 Autodesk 教育版产品制作

由 Autodesk 教育版产品制作