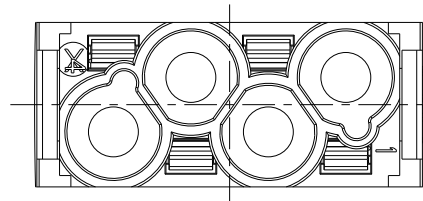
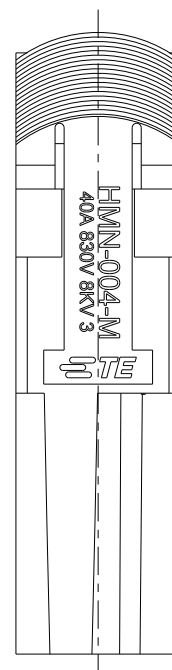
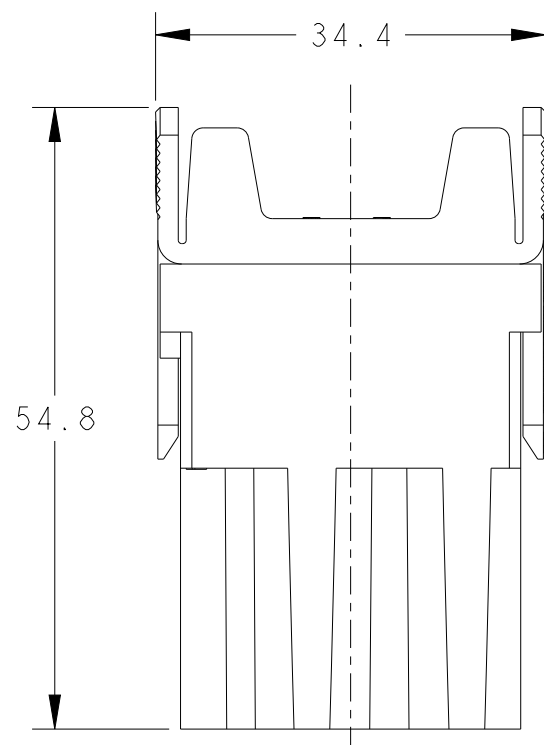
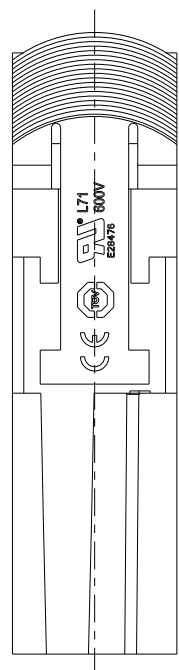
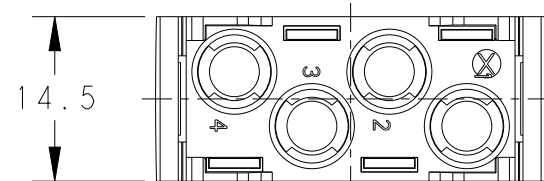
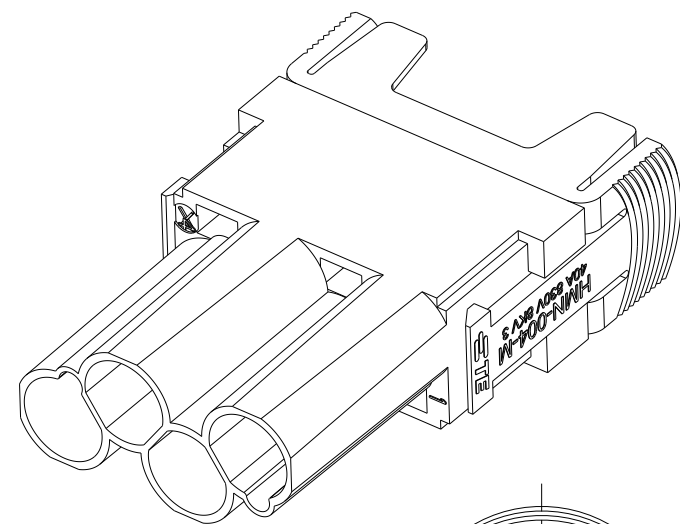


REVISIONS

P	LTR	DESCRIPTION	DATE	DWN	APVD
	A	INITIAL	20MAR2015	DW	CW
	B	ECR-15-018270	07DEC2015	DW	CW
	C	ECR-21-111798	23SEP2021	WQR	CW



NOTES:

- TECHNICAL CHARACTERISTICS:  
 INSULATION MATERIAL: PC  
 RATED VOLTAGE: 830V  
 RATED CURRENT: 40A  
 INSULATION RESISTANCE:  $\geq 400M\Omega$   
 RATED IMPULSE VOLTAGE: 8KV  
 POLLUTION DEGREE: 3  
 FLAMMABILITY: UL94V-0  
 MATING CYCLES: 500 CYCLES  
 OPERATION TEMPERATURE:  $-40^{\circ}C \sim +125^{\circ}C$   
 WIRE RANGE:  $1.5mm^2 \sim 6.0mm^2$   
 CONTACT TYPE: CRIMP CONTACT
- CONTACT NEED TO BE ORDERED SEPARATELY.  
 (ORDER No. REFER TO DRAWING: T20400X10XX000)

注释:

- 技术参数:  
 绝缘材料: PC  
 额定电压: 830V  
 额定电流: 40A  
 绝缘电阻:  $\geq 400M\Omega$   
 脉冲电压: 8KV  
 污染等级: 3  
 阻燃等级: UL94V-0  
 插拔次数: 500次  
 工作温度:  $-40^{\circ}C \sim +125^{\circ}C$   
 接线范围:  $1.5mm^2 \sim 6.0mm^2$   
 接线类型: 冷压接
- 端子需要单独订购。  
 (订货号参考图面: T20400X10XX000)

HMN-004-M	T2111042101-000
DESCRIPTION	PART NUMBER



THIS DRAWING IS A CONTROLLED DOCUMENT.		DWN	20MAR2015	NAME		HMN-004-M	
		CHK	20MAR2015				
		APVD	20MAR2015				
		PRODUCT SPEC	108-137060				
		APPLICATION SPEC	114-137060				
		WEIGHT	-	SIZE	A3	CAGE CODE	00779
		Customer Drawing		DRAWING NO	T2111042101000		RESTRICTED TO
				SCALE	3:2	SHEET	1 OF 1
						REV	C

DIMENSIONS:		TOLERANCES UNLESS OTHERWISE SPECIFIED:	
mm			
		0 PLC	±-
		1 PLC	±-
		2 PLC	±-
		3 PLC	±-
		4 PLC	±-
		ANGLES	±-
MATERIAL		FINISH	
-		-	
-		-	

# Mouser Electronics

Authorized Distributor

Click to View Pricing, Inventory, Delivery & Lifecycle Information:

[TE Connectivity:](#)

[T2111042101-000](#)