

THIS DRAWING IS UNPUBLISHED.

RELEASED FOR PUBLICATION

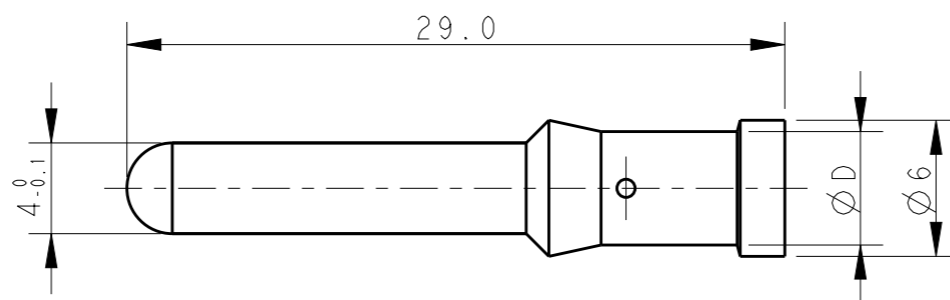
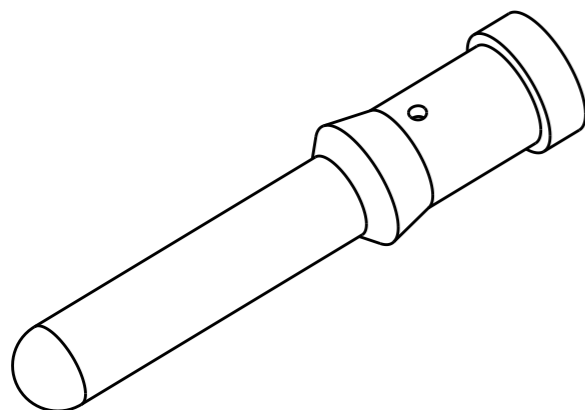
20

© COPYRIGHT 20 BY -

ALL RIGHTS RESERVED.

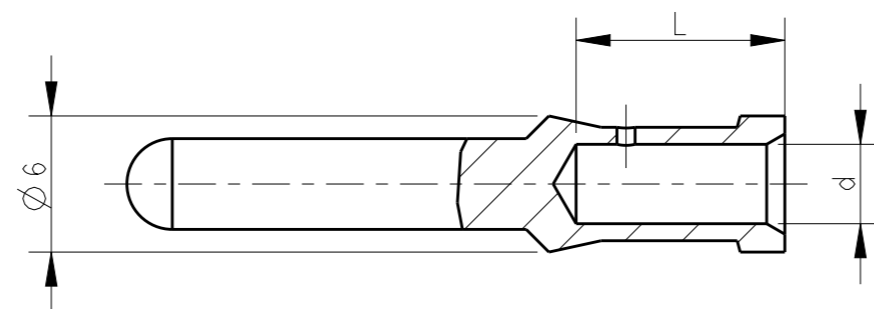
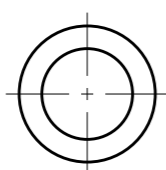
REVISIONS

P	LTR	DESCRIPTION	DATE	DWN	APVD
	A	INITIAL	20OCT2016	RL	CW



NOTES:  
 1. TECHNICAL CHARACTERISTICS:  
 CONTACT MATERIAL: BRASS  
 SURFACE PLATING:  
 SILVER PLATING:  $\geq 2\mu\text{m}$   
 GOLD PLATING:  $\geq 0.75\mu\text{m}$   
 CONTACT RESISTANCE:  $\leq 3\text{m}\Omega$   
 WIRE RANGE: 1.0-10.0 mm<sup>2</sup> (18-8 AWG)

注释:  
 1. 技术参数:  
 公针材料: 黄铜  
 表面电镀:  
 镀银:  $\geq 2\mu\text{m}$   
 镀金:  $\geq 0.75\mu\text{m}$   
 接触电阻:  $\leq 3\text{m}\Omega$   
 接线范围: 1.0-10.0 mm<sup>2</sup> (18-8 AWG)



SECTION A-A

SILVER PLATING 镀银			GOLD PLATING 镀金			Ød	ØD	WIRE GAUGE 线规		STRIPPING LENGTH L (mm) 剥线长度 L (mm)
PART NUMBER 料号	PART DESCRIPTION 描述		PART NUMBER 料号	PART DESCRIPTION 描述				MM <sup>2</sup>	AWG	
T2040001010-008	CMM-1.0	CMM-1.0, SILVER PLATING, ENVISION MM公针 1.0mm <sup>2</sup> , 镀银, 远景	T2040011010-008	DMM-1.0	DMM-1.0, GOLD PLATING, ENVISION MM公针 1.0mm <sup>2</sup> , 镀金, 远景	1.45	2.65	1.0	18	9.2
T2040001015-008	CMM-1.5	CMM-1.5, SILVER PLATING, ENVISION MM公针 1.5mm <sup>2</sup> , 镀银, 远景	T2040011015-008	DMM-1.5	DMM-1.5, GOLD PLATING, ENVISION MM公针 1.5mm <sup>2</sup> , 镀金, 远景	1.75	3.00	1.5	16	
T2040001025-008	CMM-2.5	CMM-2.5, SILVER PLATING, ENVISION MM公针 2.5mm <sup>2</sup> , 镀银, 远景	T2040011025-008	DMM-2.5	DMM-2.5, GOLD PLATING, ENVISION MM公针 2.5mm <sup>2</sup> , 镀金, 远景	2.25	3.45	2.5	14	
T2040001040-008	CMM-4.0	CMM-4.0, SILVER PLATING, ENVISION MM公针 4.0mm <sup>2</sup> , 镀银, 远景	T2040011040-008	DMM-4.0	DMM-4.0, GOLD PLATING, ENVISION MM公针 4.0mm <sup>2</sup> , 镀金, 远景	2.85	3.85	4.0	12	
T2040001060-008	CMM-6.0	CMM-6.0, SILVER PLATING, ENVISION MM公针 6.0mm <sup>2</sup> , 镀银, 远景	T2040011060-008	DMM-6.0	DMM-6.0, GOLD PLATING, ENVISION MM公针 6.0mm <sup>2</sup> , 镀金, 远景	3.50	5.00	6.0	10	
T2040001100-008	CMM-10	CMM-10, SILVER PLATING, ENVISION MM公针 10mm <sup>2</sup> , 镀银, 远景	T2040011100-008	DMM-10	DMM-10, GOLD PLATING, ENVISION MM公针 10mm <sup>2</sup> , 镀金, 远景	4.30	5.60	10.0	8	

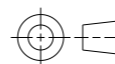
THIS DRAWING IS A CONTROLLED DOCUMENT.

DWN 20OCT2016  
 ROY LIU  
 CHK 20OCT2016  
 KYLE ZENG  
 APVD 20OCT2016  
 CHRIS WANG



DIMENSIONS:  
mm

TOLERANCES UNLESS OTHERWISE SPECIFIED:



0 PLC ±-  
 1 PLC ±-  
 2 PLC ±-  
 3 PLC ±-  
 4 PLC ±-  
 ANGLES ±-

MATERIAL

FINISH

PRODUCT SPEC  
 108-137053  
 APPLICATION SPEC  
 114-137053  
 WEIGHT -

NAME  
CMM/DMM  
MM PIN CONTACT

SIZE A3 CAGE CODE - DRAWING NO. ©-T20400X10XX008 RESTRICTED TO ENVISION

CUSTOMER DRAWING

SCALE 3:1 SHEET 1 OF 1 REV A

# Mouser Electronics

Authorized Distributor

Click to View Pricing, Inventory, Delivery & Lifecycle Information:

[TE Connectivity:](#)

[T2040001040-000](#)