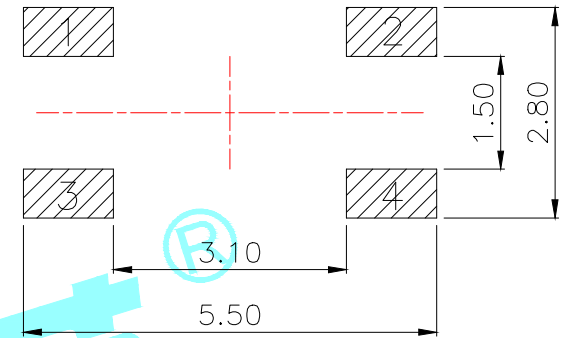
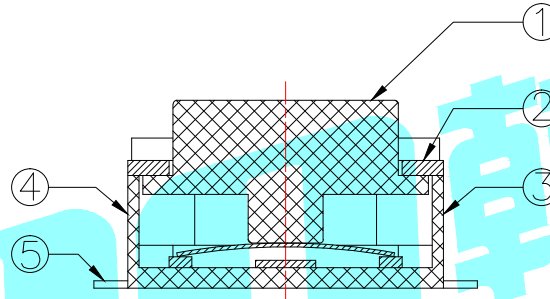
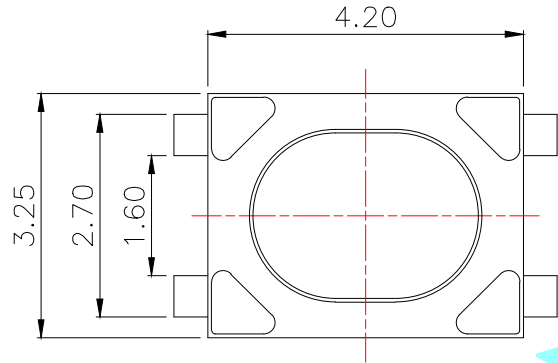
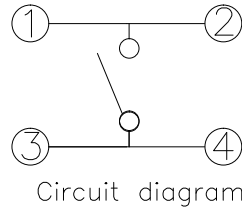


Typical Specifications :
 1. Rating : DC 12V 50mA
 2. Life:100,000 Cycles Min.

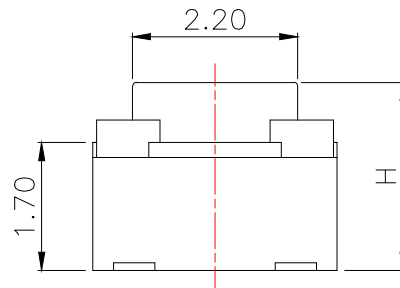
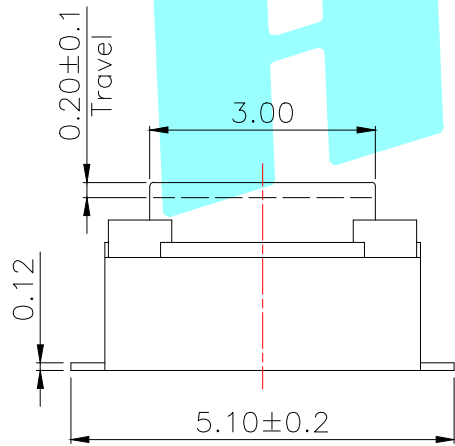


NO.1	
PART NO	H
A	2.5
B	2.8
C	3.5
D	4.0

NO.3	
PART NO	MATERIAL/QTY
S	SUS/1PC
D	SUS/2PCS

NO.2	
PART NO	VIGOR
1	90±30
3	180±30
4	250±30

NO.4-NO.5	
PART NO	NOTE
01~99	SERIAL NUMBER



⑤	Terminal	—	4	Phosphor Bronze	Plating silver	—
④	Contact	—	1	F.Ag/SUS	Plating silver	—
③	Base	—	1	LCP	White	—
②	Cover	—	1	Copper alloy	Natural	—
①	Keystoke	—	1	LCP	White	—
ITEM	PART NAME	TER'NO.	QTY.	MATERIAL	FINISHING	REMARK

APPROVALS		DATE	HRO 恒荣® ELECTRONICS CO.,LTD			
DRAWN	xu qi feng	2019.7.11	TITLE:		TACT SWITCHS	
CHECKED			PART NO.		K2-1808SN-□□□W-□□	
APPROVALS			TOLERANCES ARE	30~以上 10~30 5~10 ~ 5	±0.30 ±0.20 ±0.15 ±0.10	ANGLE ±2'
ECN NO.	REV.	DATE.	DESCRIPTION.	CHANGE.	CHECK.	APPRO.

ECN NO.	REV.	DATE.	DESCRIPTION.	CHANGE.	CHECK.	APPRO.
—	A	—	NEW	—	—	—