



GENERAL SPECIFICATIONS (电气特性)

| | |
|--|--|
| 1. Series model: (系列号) | SMD3215 |
| 2. Normal Frequency: (标称频率) | 32.768000KHz |
| 3. Oscillation Mode: (振动模式) | <input checked="" type="checkbox"/> Fundamental <input type="checkbox"/> 3rd |
| 4. Load Capacitance(CL): (负载电容) | 12.5PF |
| 5. Frequency Tolerance 25±3°C: (频率偏差 25±3°C) | ±20 PPM |
| 6. Stability Over Temperature Range: (工作温度频率偏差) | ±30 PPM at -20°C to +70°C |
| 7. Effective Series Resistance: (等效电阻) | ≤ 70 KΩ |
| 8. Shunt Capacitance(C0): (静态电容) | ≤ 3 PF |
| 9. Typical drive level: (激励功率) | 1.0 uW TYP. |
| 10. Operation Temperature Range: (工作温度范围) | -40°C to +85°C |
| 11. Storage Temperature: (存储温度) | -40°C to +85°C |
| 12. Insulation Resistance: (绝缘阻抗) | ≥500 MΩ at DC 100V |
| 13. Aging: (老化率) | ±3 PPM/Year |
| 14. Leak (检漏) | 1×10 ⁻⁷ Torr.1/sec Max |
| 15. Test circuit (测试仪器) | S&A 250B Pi-Network Crystal Measurement System |

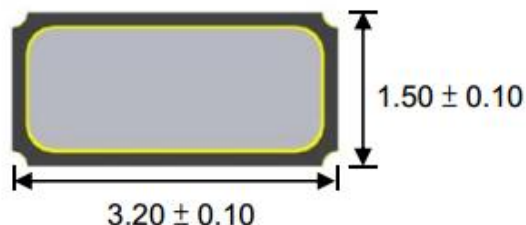
Remark (备注):

晶振最佳储存条件: 温度: 25±5°C, 湿度: <70%。
密封包装, 切勿挤压。

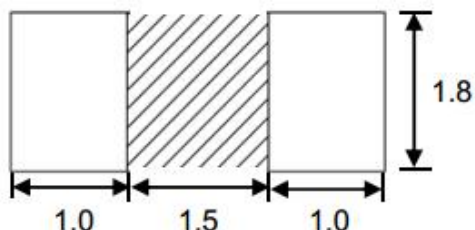
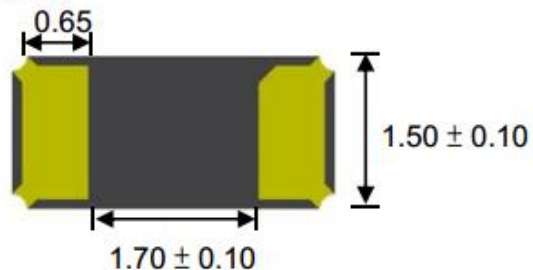


DIMENSIONS SPECIFICATIONS (外形尺寸)

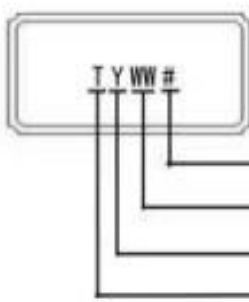
(UNIT:mm)



(UNIT:mm)



印字: (图示)



:负载
 WW:国际循环周
 Y :Year code
 T

Year : 2021 2022 2023 2024 2025 2026 2027 2028 2029 2030

Code : 1 2 3 4 5 6 7 8 9 0

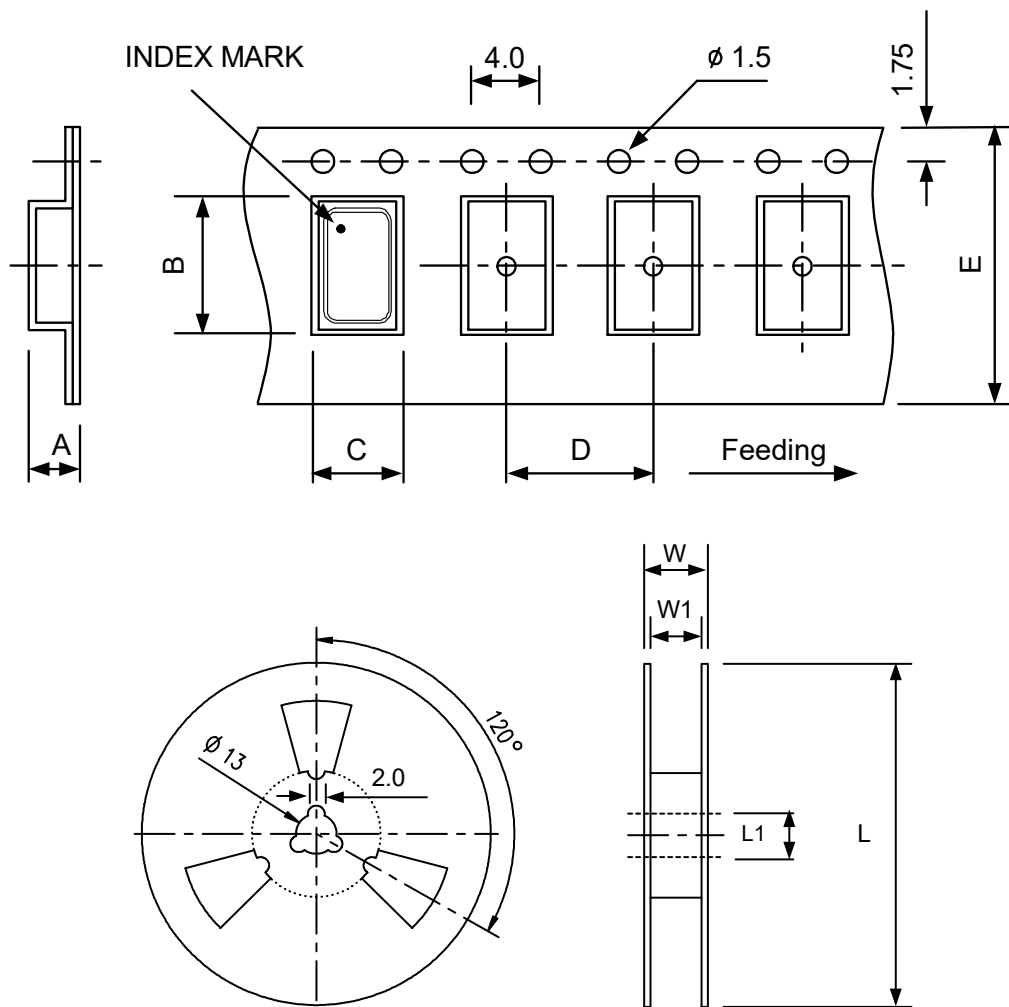
(*This Year code will be cycled every ten years.)

WW : 国际循环周

#负载 : A→12.5PF、B→9PF、C→7PF、D→6PF



PACKING (包装)



| DIMEN | | A | B | C | D | E | L | L1 | W | W1 |
|-------|------|-----|-----|-----|---|----|-----|----|----|----|
| SIONS | 3215 | 1.0 | 3.5 | 1.8 | 8 | 12 | 180 | 13 | 16 | 13 |

Unit : mm

Standard Reel Quantity is **3000 pcs** per Reel.