



GENERAL SPECIFICATIONS (电气特性)

1. Series model: (系列号)	49SB-SMD
2. Normal Frequency: (标称频率)	6.7458~32MHz
3. Oscillation Mode: (振动模式)	<input checked="" type="checkbox"/> Fundamental <input type="checkbox"/> 3rd
4. Load Capacitance(CL): (负载电容)	20PF
5. Frequency Tolerance 25 ± 3°C: (频率偏差 25 ± 3°C)	± 10 PPM
6. Stability Over Temperature Range: (工作温度频率偏差)	± 20 PPM at -20°C to +70°C
7. Effective Series Resistance: (等效电阻)	6.7458~13.560MHZ ≤ 60 Ω 16MHZ ≤ 50 Ω 18.432~24.576MHZ ≤ 40 Ω 25~32MHZ ≤ 35 Ω
8. Shunt Capacitance(C0): (静态电容)	≤ 5 PF
9. Typical drive level: (激励功率)	10 uW TYP.
10. Operation Temperature Range: (工作温度范围)	-40°C to +85°C
11. Storage Temperature: (存储温度)	-40°C to +85°C
12. Insulation Resistance: (绝缘阻抗)	≥ 500 MΩ at DC 100V
13. Aging: (老化率)	± 3 PPM/Year
14. Leak (检漏)	1 × 10 ⁻⁷ Torr.1/sec Max
15. Test circuit (测试仪器)	S&A 250B Pi-Network Crystal Measurement System

Remark (备注):

晶振最佳储存条件: 温度: 25 ± 5°C, 湿度: <70%。
密封包装, 切勿挤压, 切勿超过 30cm 的高度跌落。



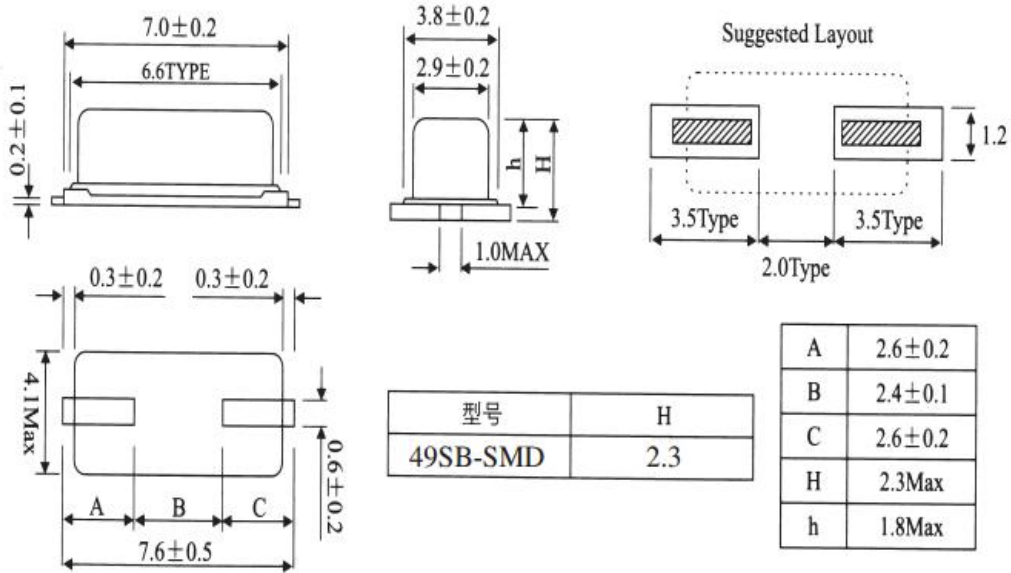
HY[®]
惠源晶工

中山惠源晶工电子科技有限公司

Zhongshan Huiyuan Crystal Electronic Technology Co., Ltd



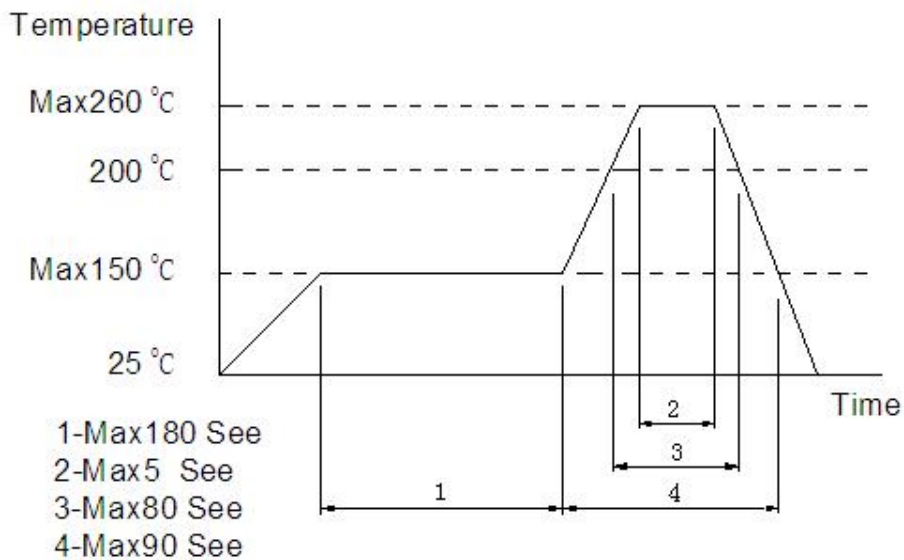
DIMENSIONS SPECIFICATIONS (外形尺寸)



MARK (印字)



SODLE REFLOW PROFILE (回流焊曲线)

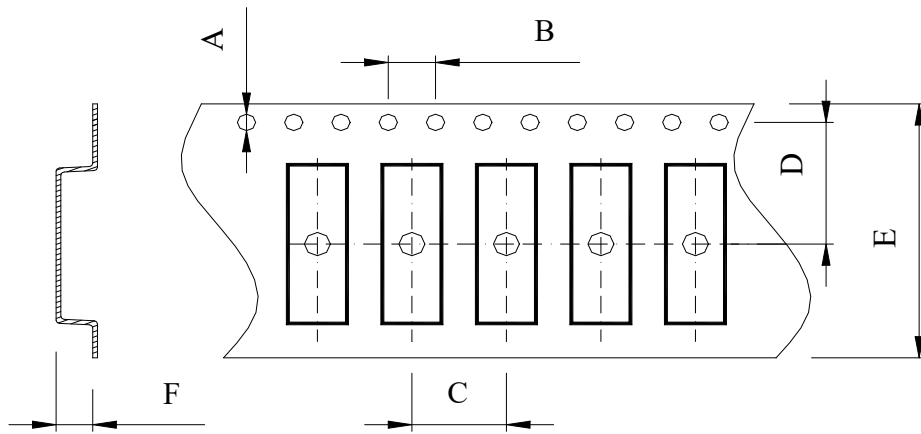




PACKING (包装)

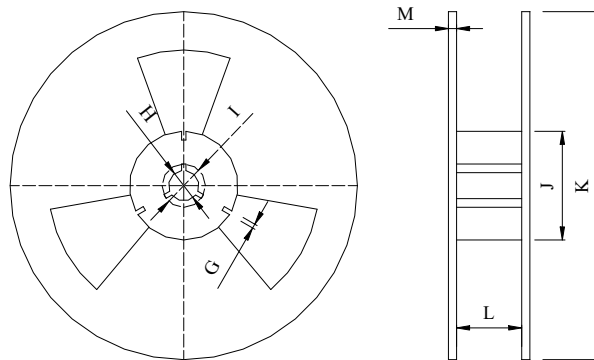
Shear strength between cover and carrier tape should be 30-100g.
Carrier tape should be folded over three times with no break at all.

Tape Dimensions(unit: mm)



A	B	C	D	E	F
1.55±0.05	4.0±0.1	8.0±0.1	11.5±0.1	24.0±0.3	4.5±0.1

Reel Dimensions(unit: mm)



G	H	I	J	K	L	M
2.2±0.5	13.0±0.2	20.2±1.0	100.0±1.0	330±2.0	24.5±0.3	2.3±0.5

Standard Reel Quantity is **3000 pcs** per reel.