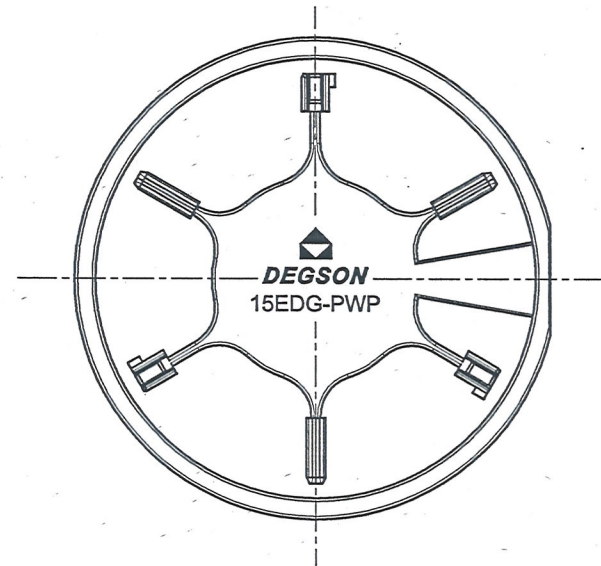
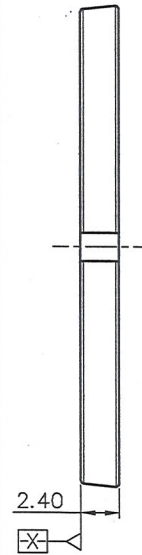
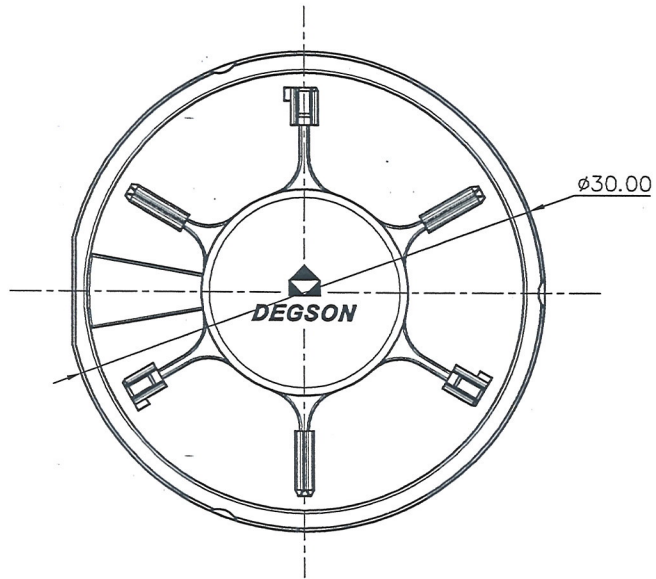


REVISION RECORD				
REV	ECN	DESCRIPTION	DRFT	DATE

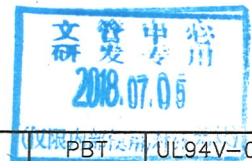


NOTES2:

- 1.Dimension shall be interpreted per ASME Y14.5-2009
- 2.Poles : 06P
- 5.Operating temperature: -30°C~+120°C
- 7.Undimensioned tolerances:

Pitch range in mm		Nominal dimension range in mm						-	∩	∇
TO	Over	Over	Over	Over	Over	Over	0.1/10			
6	6 TO 10	10 TO 24	30 TO 60	60 TO 100	100 TO 150	150	<			
±0.15	±0.20	±0.30	±0.30	±0.50	±0.70	±1.00	±1.30	±2*		

8.RoHS Compliance



1	Housing	PBT	UL94V-0
ITEM	NAME OF PART	MATERIAL	NOTES
PART NO.: /		宁波高松电子有限公司 NINGBO DEGSON ELECTRICAL CO., LTD	
APPD: <i>Robin 2018.7.3</i>	NAME: 15EDG-PWP-06P-1Y-00A(H)		
CHKD: <i>Robin 2018.07.03</i>	TITLE: ASSEMBLY DRAWING		
DRFT: Xin 2018.07.03	DRAWING NO.: 15EDG-PWP-C01		REV TO
THIRD ANGLE PROJECTION		DO NOT SCALE DRAWING	SHEET 1/1
		SCALE 1:1	