

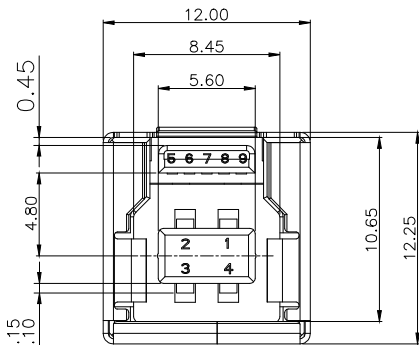
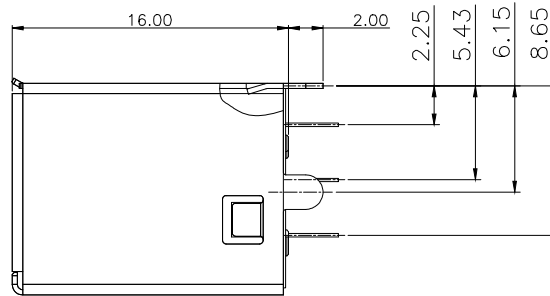
NOTES:

1.MATERIAL:

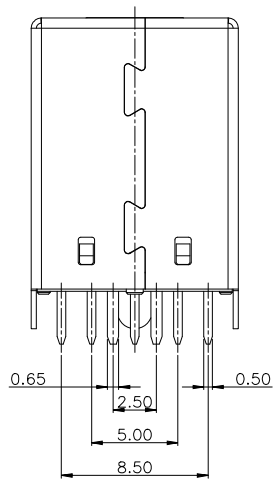
- 1.1 HOUSING: HIGH TEMPERATURE THERAL PLASTIC.
- 1.2 COVER:HIGH TEMPERATURATURE THERAL PLASTIC.
- 1.3 SPRING CONTACT: COPPER ALLOY.
- 1.4 FLAT CONTACT;COPPER ALLOY
- 1.5 SHELL :COPPER ALLOY.


2.FINISH:

- 2.1 CONTACT: (SEE P/N.),[50 μ "] MIN. NICKEL UNDERPLATING OVER ALL.
- 2.2 SHELL: [50 μ "] MIN.SOLDERABLTY NICKEL UNDERPLATING OVER ALL.



Pin NUMBER	SIGNAL NAME
1	VBUS
2	D-
3	D+
4	GND
5	StdB_SSTX-
6	StdB_SSTX+
7	GND_DRAIN
8	StdB_SSRX-
9	StdB_SSRX+
Shell	Shield



			GENREL TOLERANCE		制图 DRAWING		 深圳市华灿天禄电子有限公司 ShenzhenhuaciantianluELECTRONICS CO.,LTD			
			DIM	TOL	审核 CHECK					
			X.X	± 0.30	批准 APPROVAL		产品名称 TITLE	TYPE BF 9P 3.0 180° L16mm 外壳短直脚 PC2.0	版本 REV.	A
1			X.XX	± 0.20	比例 SCALE		产品料号 PART NO.	HC-ST-030-10B-L-Z-30-R	单位 UNITS	mm
序号 No.			X.XXX	± 0.10	投影 Projection		材料 MATERIAL		页次 SHEET	1/1
变更内容 MODIFY CONTENT			日期 MODIFY DATE		