

NOTE:

1.MATERIAL SPECIFICATION:

- 1.HOUSING&PICKUP COVER:LCP,UL94 V-0.
- 2.CONTACTS: COPPER ALLOY(C7025)
- 3.LATCH: STAINLESS STEEL(SUS301)
- 4.SPRING: STAINLESS STEEL(SUS304)
- 4.FRONT SHELL: STAINLESS STEEL(SUS304)

2.PLATING SPECIFICATION:

- 2-1.CONTACTS:
Ni 50u" MIN. UNDER PLATED OVER ALL.
Au PLATED ON THE FUNCTIONAL AREA OF CONTACT.
(GOLD PLATING THICKNESS FOLLOW THE P/N)
PLATING SPECIFICATIONS OF THE SOLDER AREA FOLLOW THE P/N
- 2-2.FRONT SHELL:
Ni 30u" MIN. UNDER PLATED OVER ALL.
- 2-3.LATCH:
Ni 50u" MIN. UNDER PLATED OVER ALL.
80u" MIN. TIN PLATED ON SOLDER AREA.
- 2-4.SPRING:
CLEAR ONLY

3.MECHANICAL PERFORMANCE,

- 3-1.INSERTION FORCE: 0.5~2.0kgf.
- 3-2.REMOVAL FORCE: 0.8kgf~2.0kgf.
- 3-3.DURABILITY: 10000 CYCLES.

4.ELECTRICAL PERFORMANCE,

- 4-1. CURRENT RATING:3.0A
VOLTAGE RATING:5.0V
- 4-2. LLCR:
VBUS & GND PINS AND OTHER PINS: 40mΩ/PIN MAX.
SHIELD: 50mΩ/MAX.
LLCR MAX. CHANGE OF ALL PINS: 10mΩ.
- 4-3.INSULATION RESISTANCE: 100MΩ MIN
- 4-4.DIELECTRIC WITHSTAND VOLTAGE,AC 100V FOR 1 MINUTE.

5. ENVIRONMENTAL PERFORMANCE:

OPERATING TEMPERATURE: -25°C~+85°C.

6.IR REFLOW:

THE PEAK TEMPERATURE ON THE BOARD SHALL BE MAINTAINED FOR 10 SECONDS AT 260°C.

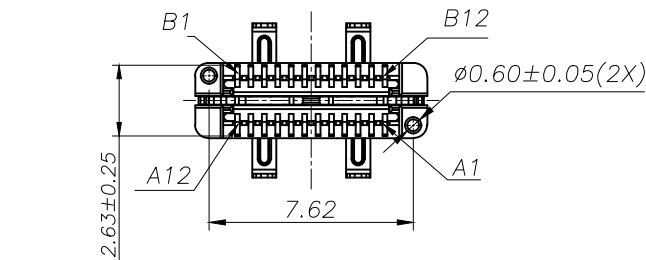
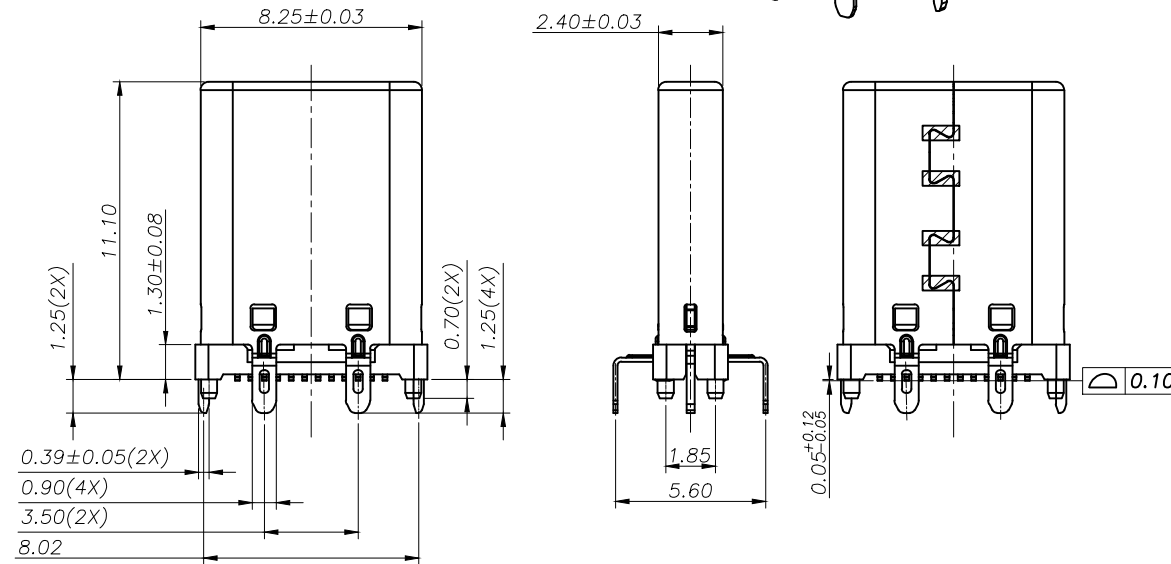
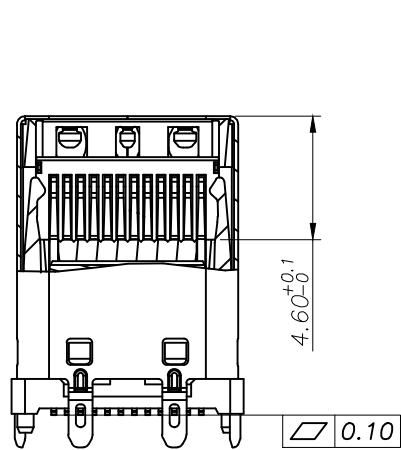


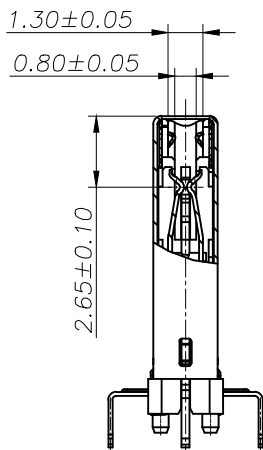
TABLE 1

ITEM	HOUSING COLOR	CONTACTS	
		FUNCTIONAL AREA	SOLDER AREA
1	BLACK	Au:3u"	Sn 80u"

			GENERAL TOLERANCE		制图 DRAWING		深圳市华灿天禄电子有限公司 ShenzhenhuaciantianluELECTRONICS CO.,LTD			
			DIM	TOL	审核 CHECK					
			X.X	±0.30	批准 APPROVAL		产品名称 TITLE	TYPE C M VERTICAL HIGH=11.1 (TYPE C 24P 立贴 高11.1 四脚)	版本 REV.	A
1			初版发行		比例 SCALE		产品料号 PART NO.	HC-ACM009-1A1H1K003-0HR	单位 UNITS	mm
序号 No.	变更内容 MODIFY CONTENT	日期 MODIFY DATE	Angle	±3.0°	投影 Projection		材料 MATERIAL		页次 SHEET	1/3



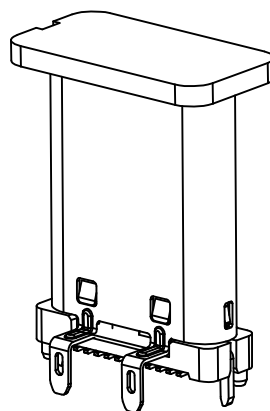
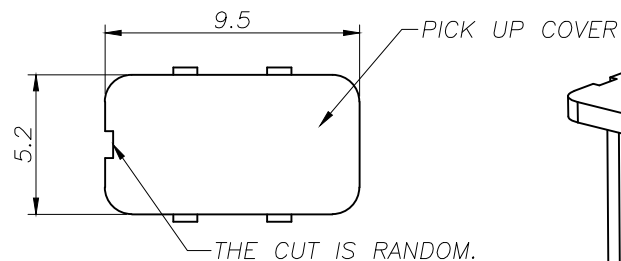
SECTION:A-A



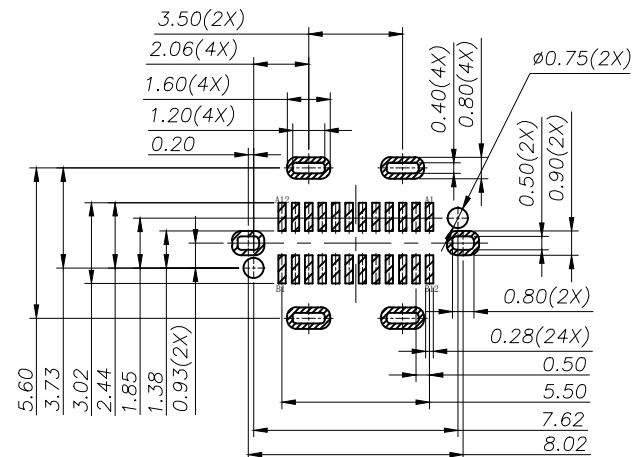
SECTION:B-B

USB TYPE-C PIN ASSIGNMENTS

PIN NUMBER	SIGNAL NAME	PIN NUMBER	SIGNAL NAME
A1	GND	B12	GND
A2	SSTXp1	B11	SSRXp1
A3	SSTXn1	B10	SSRXn1
A4	Vbus	B9	Vbus
A5	CC1	B8	SBU2
A6	Dp1	B7	Dn2
A7	Dn1	B6	Dp2
A8	SBU1	B5	CC2
A9	Vbus	B4	Vbus
A10	SSRXn2	B3	SSTXn2
A11	SSRXp2	B2	SSTXp2
A12	GND	B1	GND

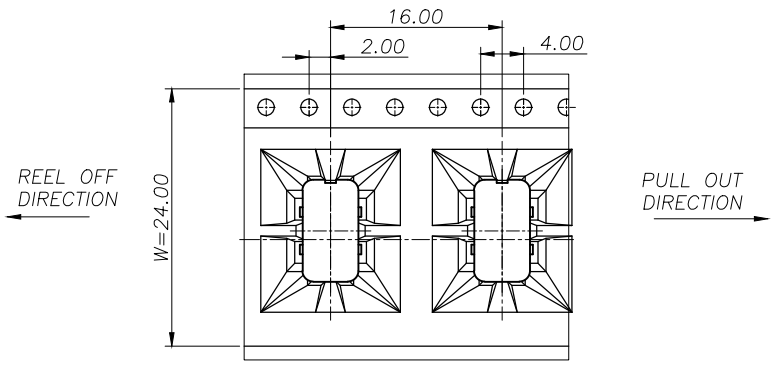
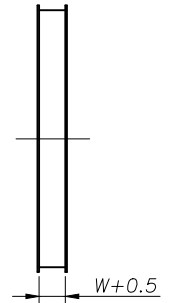
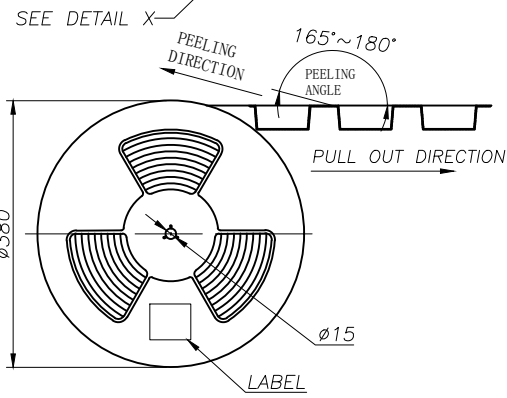
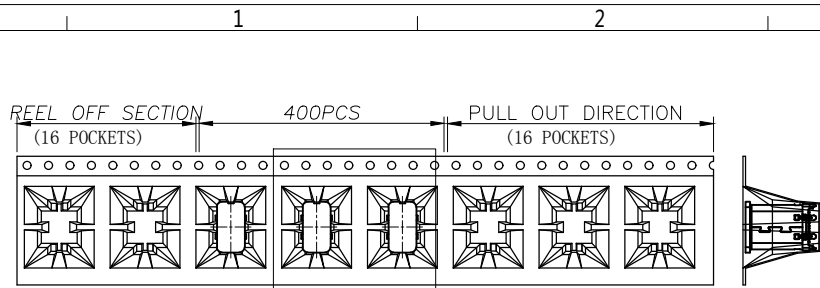


AFTER WITH PICKUP COVER

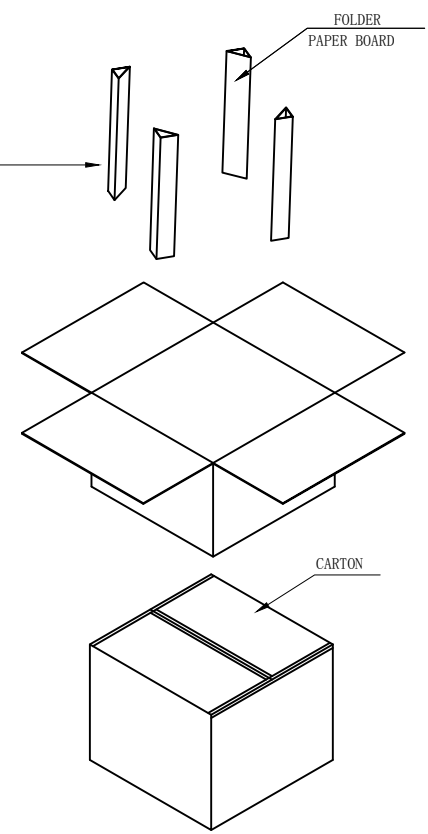
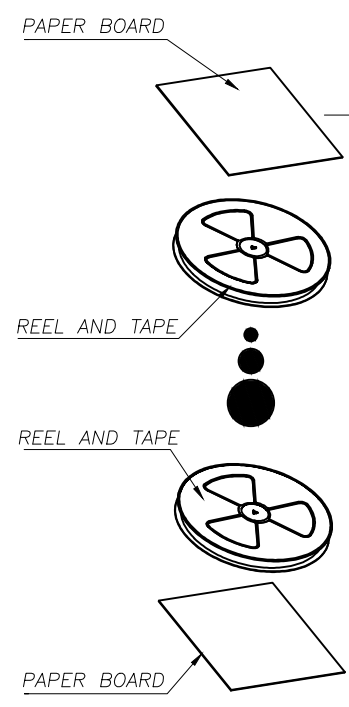


RECOMMENDED PCB LAYOUT(TOP VIEW)
THICKNESS 0.8±0.10MM;DEFAULT TOLERANCE:±0.05

			GENERAL TOLERANCE	制图 DRAWING	深圳市华灿天禄电子有限公司 ShenzhenhuaciantianluELECTRONICS CO.,LTD			
			DIM TOL	审核 CHECK	产品名称 TITLE	TYPE C M VERTICAL HIGHT=11.1 (TYPE C 24P 立贴 高11.1 四脚)	版本 REV.	A
1			X.X ±0.30	批准 APPROVAL	产品料号 PART NO.	HC-ACM009-1A1HIK003-OHR	单位 UNITS	mm
序号 No.			X.XX ±0.20	比例 SCALE	材料 MATERIAL		页次 SHEET	2/3
变更内容 MODIFY CONTENT			X.XXX ±0.10	投影 Projection				
日期 MODIFY DATE			Angle ±3.0°					



DETAIL X
SCALE 2:1



	REEL/TRAY	CARTON
CONNECTOR (PCS)	400	4000

			GENERAL TOLERANCE	制图 DRAWING	深圳市华灿天禄电子有限公司 ShenzhenhuaciantianluELECTRONICS CO., LTD			
			DIM TOL	审核 CHECK				
			X.X ±0.30	批准 APPROVAL	产品名称 TITLE	TYPE C M VERTICAL HIGH=11.1 包装图 (TYPE C 24P 立贴 高11.1 四脚)	版本 REV.	A
1 初版发行			X.XX ±0.20	比例 SCALE	产品料号 PART NO.	HC-ACM009-1A1H1K003-0HR	单位 UNITS	mm
序号 No.	变更内容 MODIFY CONTENT	日期 MODIFY DATE	Angle ±3.0°	投影 Projection		材料 MATERIAL	页次 SHEET	3/3