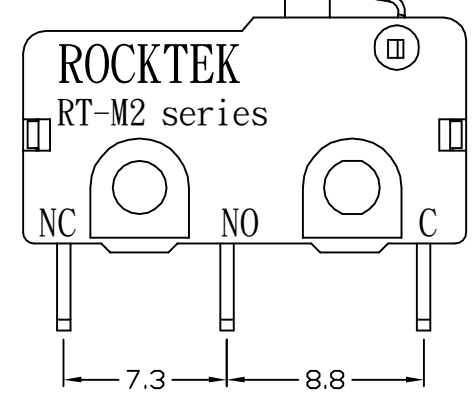
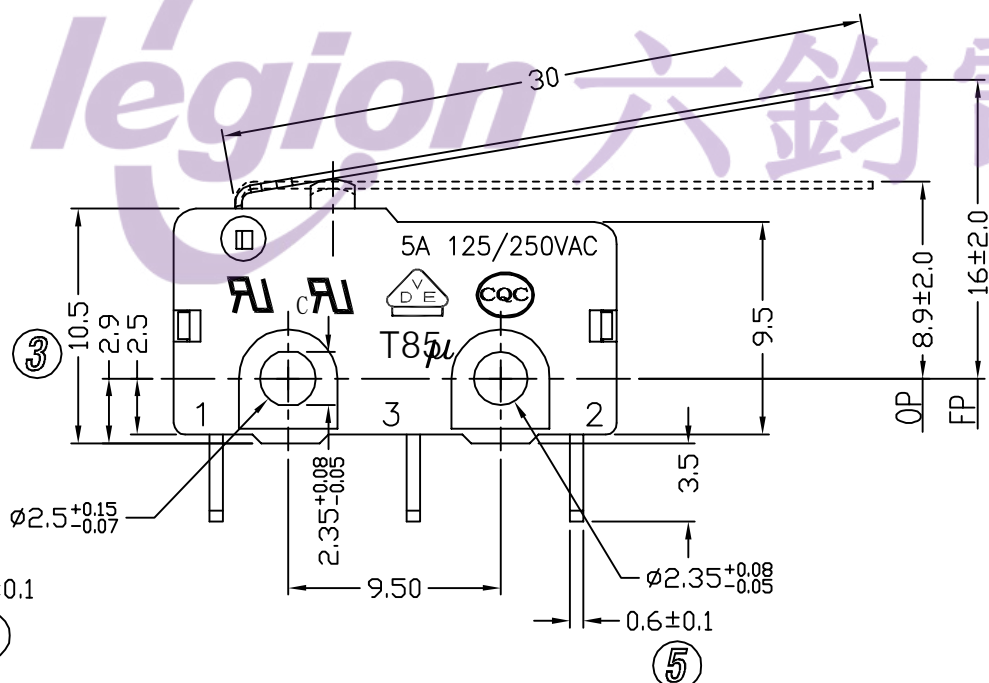
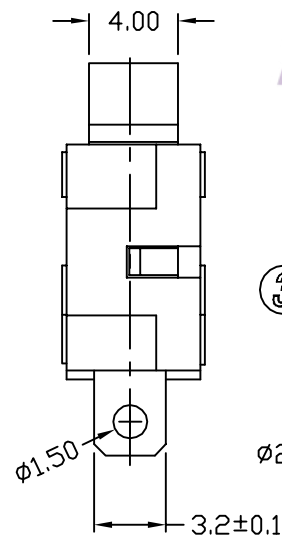
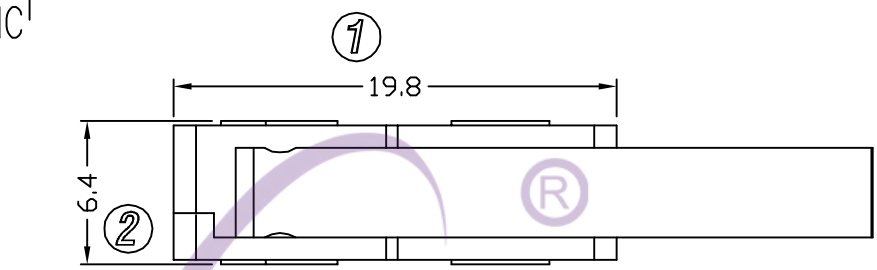


NOTES:

1. RATING: 5A 125/250VAC.
2. OPERATING FORCE: 10~100gf
3. CONTACT RESISTANCE: <math>< 50m\Omega</math>
4. INSULATION RESISTANCE: >100M $\Omega$  (500VDC BETWEEN OPEN CONTACTS)
5. DIELECTRIC STRENGTH: >1500Vac 0.5mA 1 MINUTE
6. COLOR: BLACK

电话: 0769-82310511-867

邮箱: hooya89@hooya.hk



5	→	10	→	DIMENSIONAL TOLERANCES		APPROVED	CHECKED	DESIGN	DRAWN	ALL SIZE ARE IN	MM		
4	→	9	→	RANGE	TOLERANCE				LMC	SCALE	NO		
3	→	8	→	X	±0.30				2020.10.23	MAT'L	***		
2	→	7	→	X.X	±0.20					MATERIAL NO.		DRAWING NO.	REV.
1	→	6	→	X.XX	±0.10								
NO	DESCRIPTION	NO	DESCRIPTION	ANGLES	±1'	LEGION ELECTRONIC & HARDWARE CO., LTD.				RTM2-14C4S05A200	WIF120111	AO	