

4

3

2

1

D

D

C

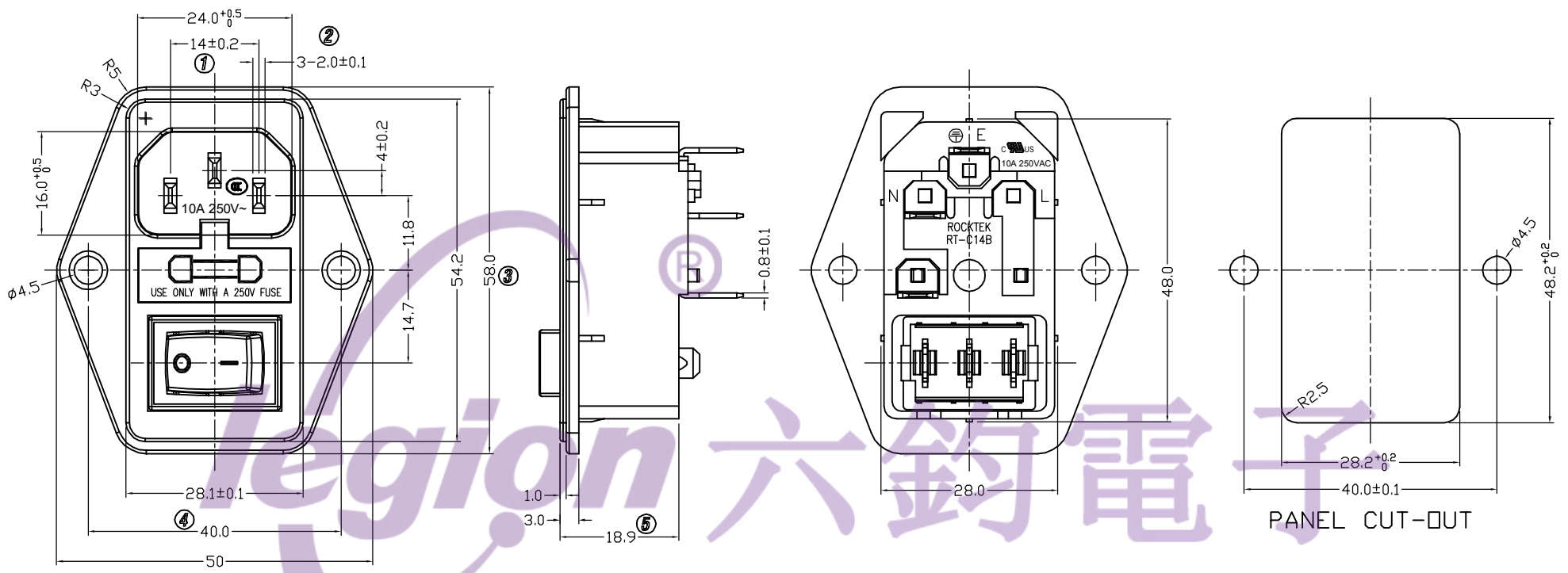
C

B

B

A

A



Socket : RT-C14B-H00-13-R  
 1.Rating : 10A 250VAC ( CCC ; UL ; CUL )  
 2.Insulation resistance : >100MΩ Min 500VDC  
 3.Withstand voltage : >2000VAC 0.5mA 1 minute  
 Switch : RT-S01-113-L4LBR  
 1.Rating : 10A 125VAC 6A 250VAC ( UL ; CUL ; CQC )  
 10(4)A 250V~ ( VDE )  
 2.Contact resistance : <50mΩ  
 3.Insulation resistance : >100MΩ Min 500VDC  
 4.Dielectric strength : >1500VAC 0.5mA 1 minute

电话 : 0769-82310511-867  
 邮箱 : hooya89@hooya.hk

5	→	10	→	DIMENSIONAL TOLERANCES		APPROVED	CHECKED	DESIGN	DRAWN	ALL SIZE ARE IN	MM		
4	→	9	→	RANGE	TOLERANCE				LMC	SCALE	NO		
3	→	8	→	X	±0.15				2019.09.12	MAT'L	***	DRAWING NO.	
2	→	7	→	X.X	±0.10					MATERIAL NO.			REV.
1	→	6	→	X.XX	±0.05								
NO	DESCRIPTION	NO	DESCRIPTION	ANGLES	±1'	LECION ELECTRONIC & HARDWARE CO., LTD.				RT-C14B-H1+RT-S01-2BR	WIF119144	AO	

4

3

2

1