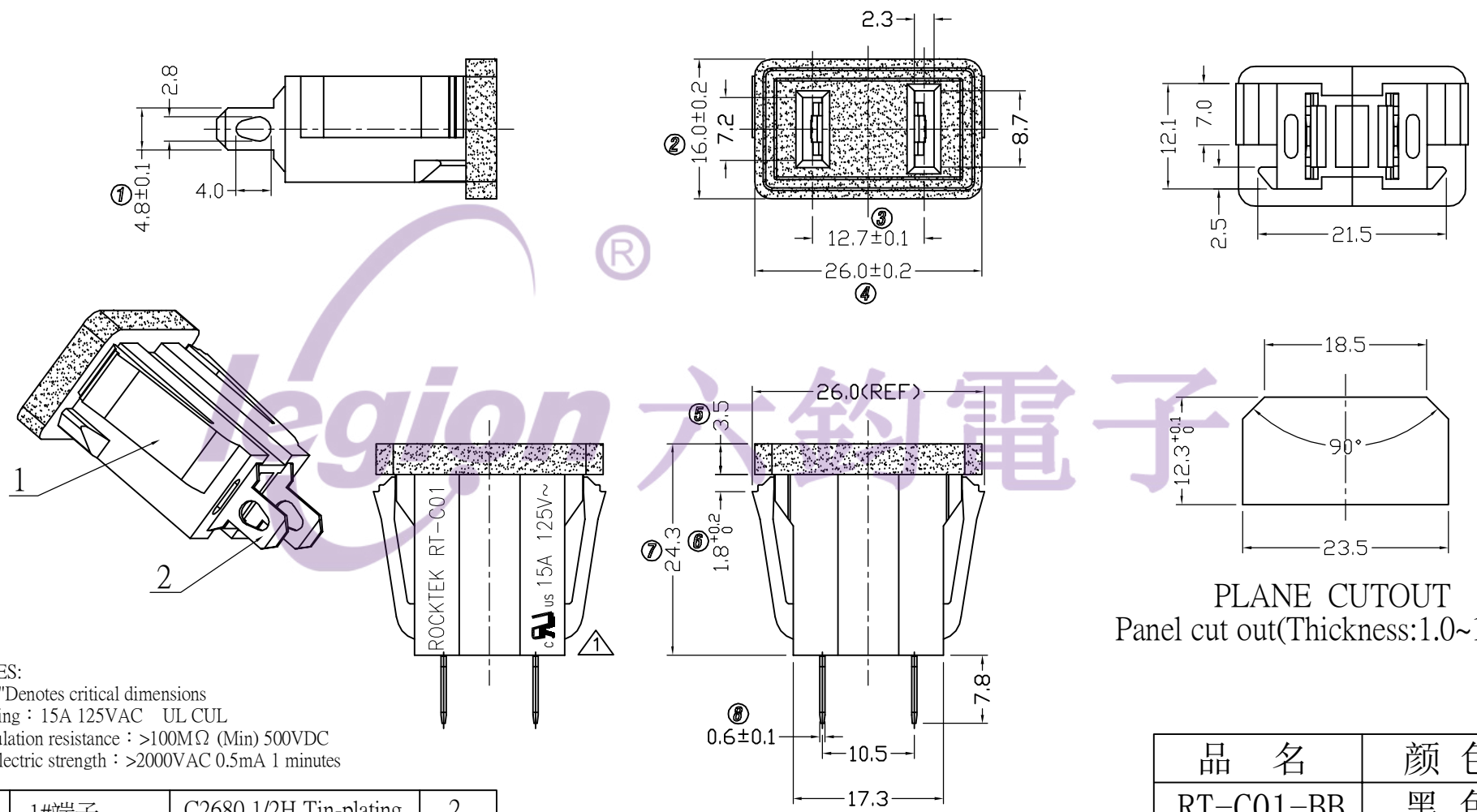


4 3 2 1

D
C
B
A

D
C
B
A



NOTES:
 1."O"Denotes critical dimensions
 2.Rating : 15A 125VAC UL CUL
 3.Insulation resistance : >100MΩ (Min) 500VDC
 4.Dielectric strength : >2000VAC 0.5mA 1 minutes

2	1#端子	C2680 1/2H Tin-plating	2
1	本体	PA66 UL94V-0	1
NO.	PART NAME	MATERIAL	Q'TY

电话: 0769-82310511-867
 邮箱: hooya89@hooya.hk

品名	颜色
RT-C01-BB	黑色
RT-C01-BW	白色

A	5	→	10	→	DIMENSIONAL TOLERANCES	APPROVED	CHECKED	DESIGN	DRAWN	ALL SIZE ARE IN	MM	
	4	→	9	→		RANGE	TOLERANCE				SCALE	
	3	→	8	→	X	±0.30				MAT'L		
	2	→	7	→	X.X	±0.20				MATERIAL NO.	DRAWING NO.	REV.
	1	增加刻字 2021.06.05	6	→	X.XX	±0.10				RT-C01-B*	WIF119047	A1
	NO	DESCRIPTION	NO	DESCRIPTION	ANGLES	±1°	ROCK TEK ELECTRICAL(SHENZHEN) CO.,LTD.					

4 3 2 1