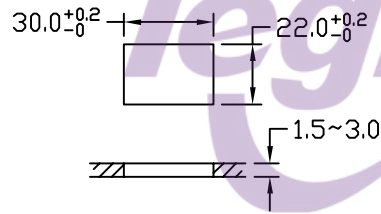
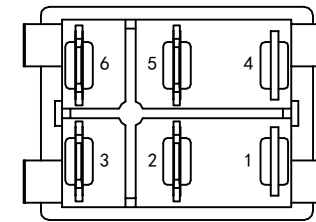
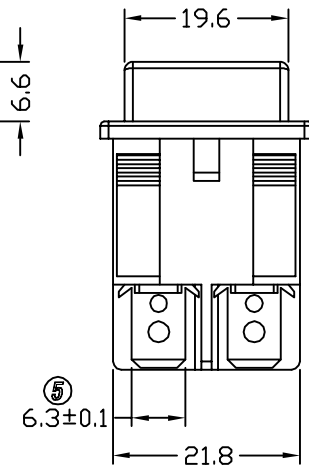
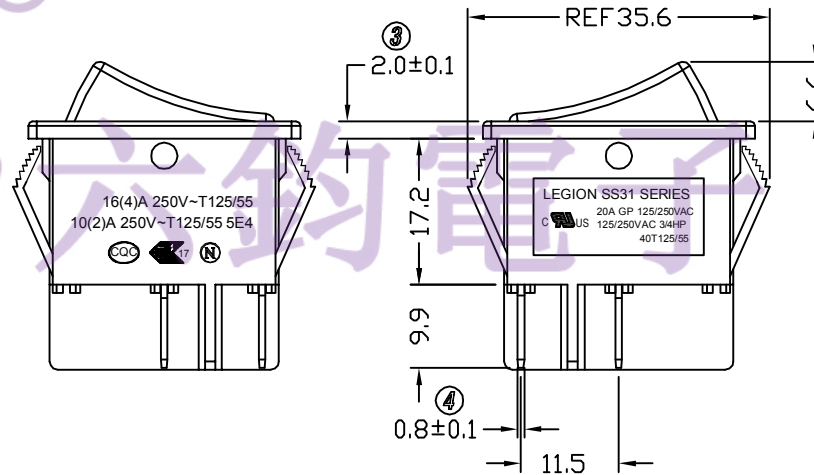
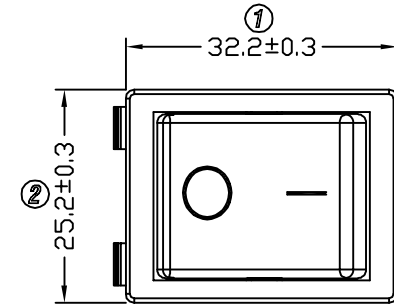
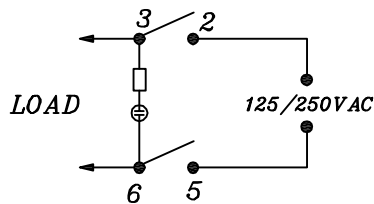


1. 电路CIRCUIT: ON/OFF
2. 快插端子 QUICK CONNECTOR TYPE: DOUBLE POLE SINGLE THROW
3. 额定值 RATING: 20A GP 125/250VAC 3/4HP 40T125/55(UL/CUL)
16(4)A 250V~T125/55 1E4(NEMKO/ENEC17/CQC)
10(2)A 250V~T125/55 5E4(NEMKO/ENEC17/CQC)
4. 接触电阻 CONTACT RESISTANCE: <50mΩ
5. 绝缘阻抗 INSULATION RESISTANCE: >100MΩ
(500VDC BETWEEN OPEN CONTACTS)
6. 耐电压 DIELECTRIC STRENGTH: >1500VAC 0.5mA 1 MINTUTE
7. 所有部件均使用环保材料
ALL MATERIALS USING MEET THE RoHS DIRECTIVE

Panel cut out:



Circuit of Switch



品名	颜色	
	上盖	基座
SS31-RBIWB-RH40-L02-R	红色	黑色
SS31-GBIWB-RH40-L02-R	绿色	黑色
SS31-RWIWB-RH40-L02-R	红色	白色
SS31-LBIWB-RH40-L02-R	蓝色	黑色

电话: 0769-82310511-867
邮箱: hooya89@hooya.hk

NO	DESCRIPTION	NO	DESCRIPTION	ANGLES	DIMENSIONAL TOLERANCES	APPROVED	CHECKED	DESIGN	DRAWN	ALL SIZE ARE IN	MM	DRAWING NO.	REV.
5	→	10	→		RANGE				LMC	SCALE	NO		
4	→	9	→		TOLERANCE				2020.09.26	MAT'L	***	A0	
3	→	8	→	X	±0.30					MATERIAL NO.			
2	→	7	→	X.X	±0.20								
1	→	6	→	X.XX	±0.10								
				±1'		LEGIION ELECTRONIC & HARDWARE CO., LTD.							

