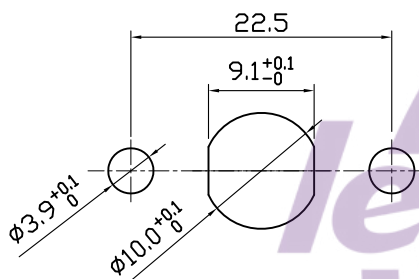
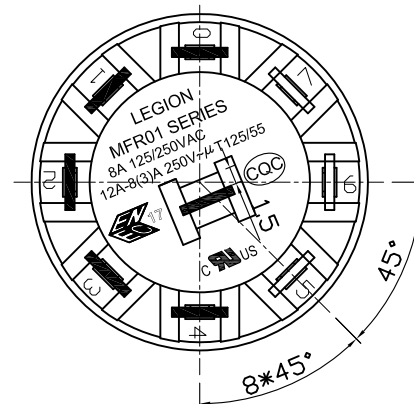
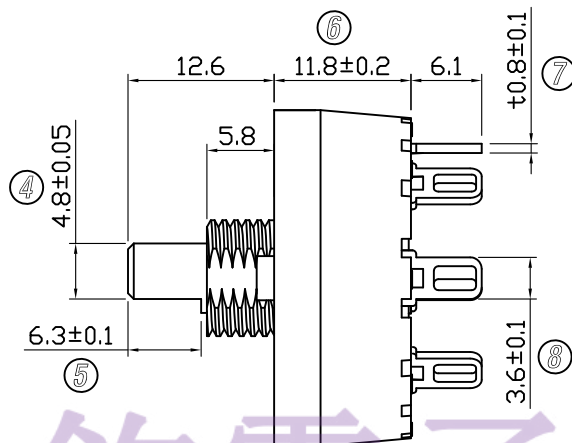
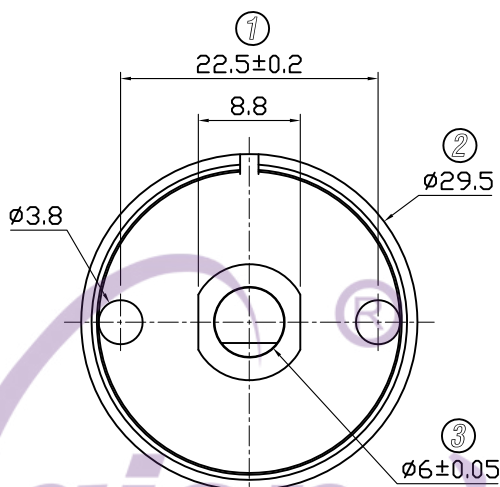
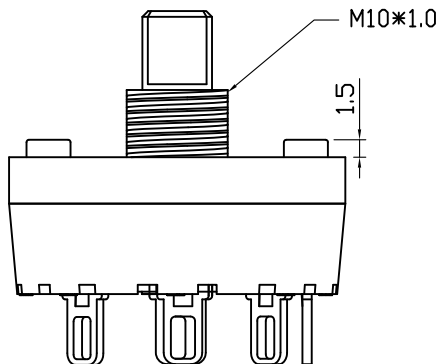
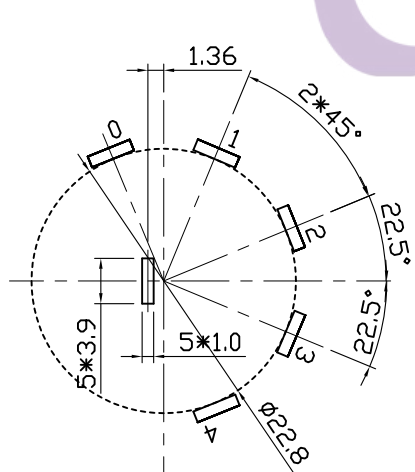


CIRCUIT DESCRIPTION



PANEL CUTOUT



电话: 0769-82310511-867
 邮箱: hooya89@hooya.hk

1. 额定值 RATING: 8A 125/250VAC (UL, C-UL)
 12A-8 (3) A 250V \sim μ T125/55 (ENEC-17, CQC, CB)
2. 功能 FUNCTIONAL: 见电路图 SEE CIRCUIT DESCRIPTION
3. 接触电阻 CONTACT RESISTANCE: <50m Ω
4. 绝缘电阻 INSULATION RESISTANCE: >100M Ω (500VDC BETWEEN OPEN CONTACTS)
5. 耐电压 DIELECTRIC STRENGTH: >1500VAC 0.5mA 1 MINUTE
6. "○"表示关键尺寸 DENOTES CRITICAL DIMENSIONS

| NO | DESCRIPTION | NO | DESCRIPTION | DIMENSIONAL TOLERANCES | | APPROVED | CHECKED | DESIGN | DRAWN | ALL SIZE ARE IN | | DRAWING NO. | REV. |
|----|-------------|----|-------------|---|-----------|----------|---------|--------|------------|-------------------|----|-------------|------|
| | | | | RANGE | TOLERANCE | | | | | MM | NO | | |
| 5 | → | 10 | → | X | ±0.30 | | | | LMC | | | | |
| 4 | → | 9 | → | X.X | ±0.20 | | | | 2019.04.03 | | | | |
| 3 | → | 8 | → | X.XX | ±0.10 | | | | | | | | |
| 2 | → | 7 | → | ANGLES | ±1° | | | | | | | | |
| 1 | → | 6 | → | | | | | | | | | | |
| | | | | LEGIION ELECTRONIC & HARDWARE CO., LTD. | | | | | | MFR01-A5F04L8BS-R | | WIF120090 | A0 |

4

3

2

1