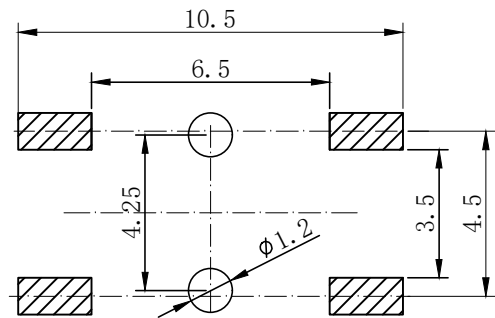
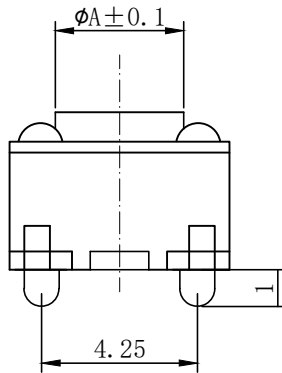
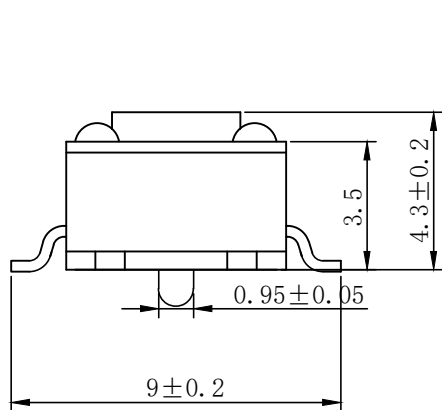
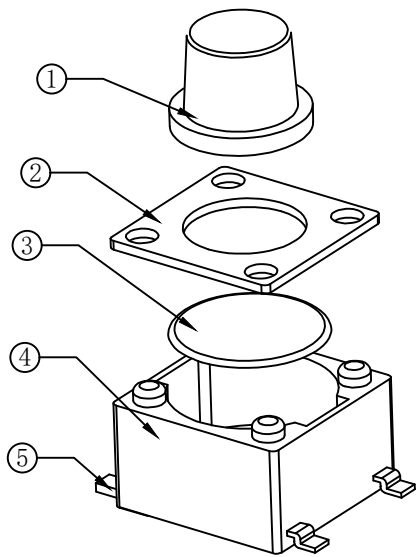


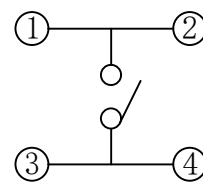
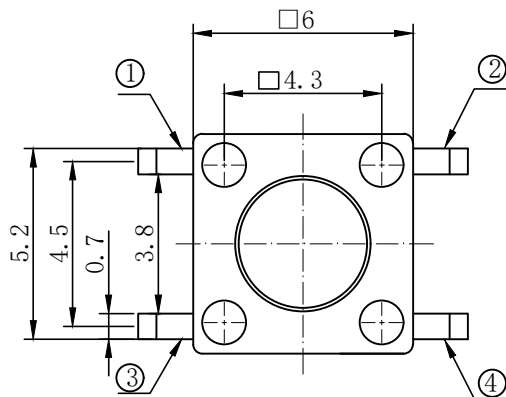
RoHS

CAD GENERATED DRAWING. DON'T CHANGE BY HAND.

REV.	ECN. NO.	APPD.



PCB线路板安装图(±0.1)



PCB. WELDING DRAWING

A	H(高度)
φ3.5	4.3
φ3.5	5.0
φ3.3	6.0
φ3.3	7.0
φ3.3	8.0
φ3.2	8.5
φ3.0	13.0

Specification

Operating Life	100,000
Contact rating	50mA@12V DC.
Insulation resistance	100MΩ min.
Contact resistance	100MΩ max. initial.
Dielectric Strength	250 V AC(1mm)
Travel	0.35±0.2mm
Storage Temperature	- 25° C to 85° C

Mechanical

ITEM	DESCRIPTION	MATERIAL	QTY	FINISH/COLOR
E	insert	Hr2Y brass T = 0.30	1	Ag
D	base	PPA	1	black
C	reed	Stainless steel	1	Ag
B	COVER	Copper cover	1	Cu/Sn
A	button	PPA	1	black

Type	Operating Force(gf)	Height mm	Button	Leads Shape(G, J, T)	Ground pin (0, 1)	Pegs Option(0, 1)
YTS2R004	1: 160±50GF 2: 250±50GF	G: 13.0 F: 8.5 E: 8.0 D: 7.0 C: 6.0 B: 5.0 A: 4.3	B (black)	G	0	1

	X. ± 0.50	X.° ± 2°	UNITS
.X	± 0.30	.X° ± 1°	mm
.XX	± 0.10	.XX° ± 0.5°	MAT'L
.XXX	± 0.05		FINISH
			Q'TY

深圳市怡远科技有限公司
SHENZHEN YIYUAN TECHNOLOGY CO.,LTD

PART NO. YTS2R004

APPD: ROGER

CHKD: ROC

DR: BILLY WANG 2020/08/21

TITLE: TACTILE SWITCH 6x6触键

DWG NO.: YTS2R004

		SCALE	SHEET	REV.
1/1	1/1	A1		

THESE DRAWINGS AND SPECIFICATIONS ARE THE PROPERTY OF YIYUAN TECHNOLOGY CO.,LTD AND SHALL NOT BE REPRODUCED, COPIED OR USED IN ANY MANNER WITHOUT THE PRIOR WRITTEN CONSENT OF YIYUAN TECHNOLOGY CO.,LTD
Email at info@yiyuanswitches.com