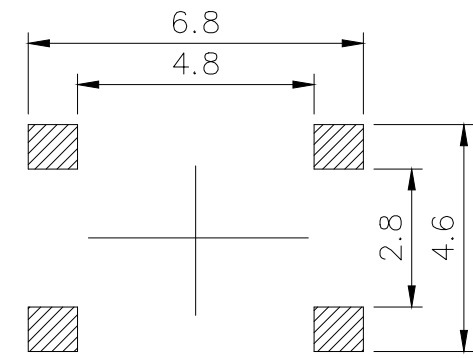


CIRCUIT DIAGRAM



PCB. WELDING DRAWING

Specification

Operating Life	200,000
Contact rating	50mA@12V DC.
Insulation resistance	100m Ω min.
Contact resistance	100m Ω max. initial.
Dielectric Strength	250 V AC(1mm)
Travel	0.2 \pm 0.15mm
Storage Temperature	-30 $^{\circ}$ C to 85 $^{\circ}$ C

Mechanical

ITEM	DESCRIPTION	MATERIAL	QTY	FINISH/CO-LOR
E	Button	Brass	1	Pickling
D	COVER	Stainless Steel	1	Cleaning
C	DOME	Stainless Steel	1	Plated Ag
B	HOUSING	PPA	1	Black
A	PIN	PHOSPHOR BRONZE	1	Plated Ag

Type	Operating Force(gf)	Height mm		Button	Leads Shape (G, J, T)	Ground pin (0, 1)	Pegs Option (0, .1)
		M	L				
YTS1H005	350 \pm 50	M	5.0	M (Brass) P (Plastic)	G	0	0
		L	4.5				
		K	4.3				
		J	4.0				
		H	3.5				
	250 \pm 50	H	3.5	M (Brass) P (Plastic)	G	0	0
		G	3.0				
		F	2.5				
		E	2.3				
		D	2.0				
160 \pm 50	H	3.5	M (Brass) P (Plastic)	G	0	0	
	G	3.0					
	F	2.5					
	E	2.3					
	D	2.0					
100 \pm 30	H	3.5	M (Brass) P (Plastic)	G	0	0	
	G	3.0					
	F	2.5					
	E	2.3					
	D	2.0					

X. ± 0.50	X. $^{\circ}$ $\pm 2^{\circ}$	UNITS mm	深圳市怡远科技有限公司 SHENZHEN YIYUAN TECHNOLOGY CO., LTD
.X ± 0.30	.X $^{\circ}$ $\pm 1^{\circ}$		
.XX ± 0.10	.XX $^{\circ}$ $\pm 0.5^{\circ}$	MAT'L	PART NO. YTS1H005
.XXX ± 0.05		FINISH	TITLE: TACTILE SWITCH 5.2x5.2
THESE DRAWINGS AND SPECIFICATIONS ARE THE PROPERTY OF YIYUAN TECHNOLOGY CO.,LTD AND SHALL NOT BE REPRODUCED, COPIED OR USED IN ANY MANNER WITHOUT THE PRIOR WRITTEN CONSENT OF YIYUAN TECHNOLOGY CO.,LTD Email at info@yiyuanswitches.com			APPD: ROGER
			CHKD: ROC
DR: BILLY WANG 2020/08/21			DWG NO. : YTS1H005
		SCALE	SHEET
		1/1	1/1
		REV.	A1