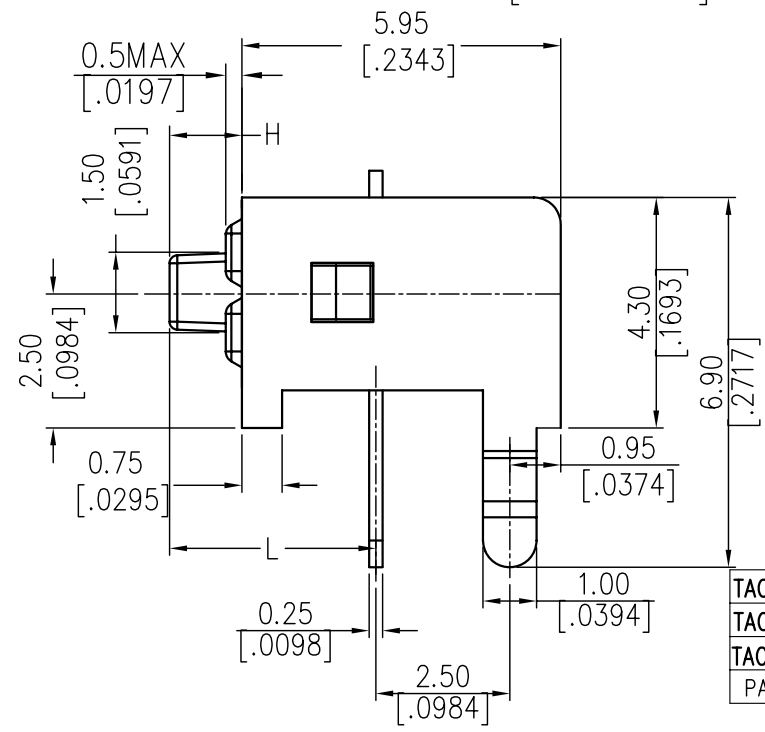
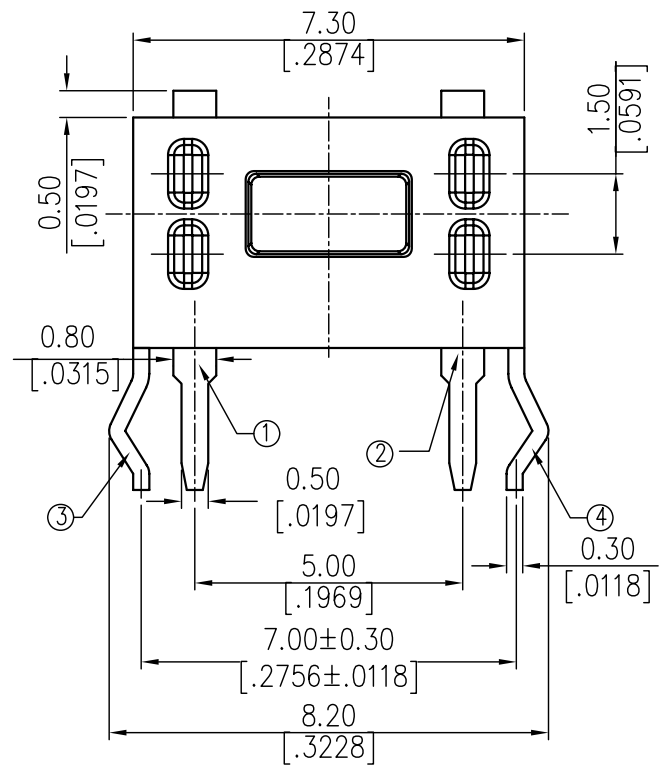
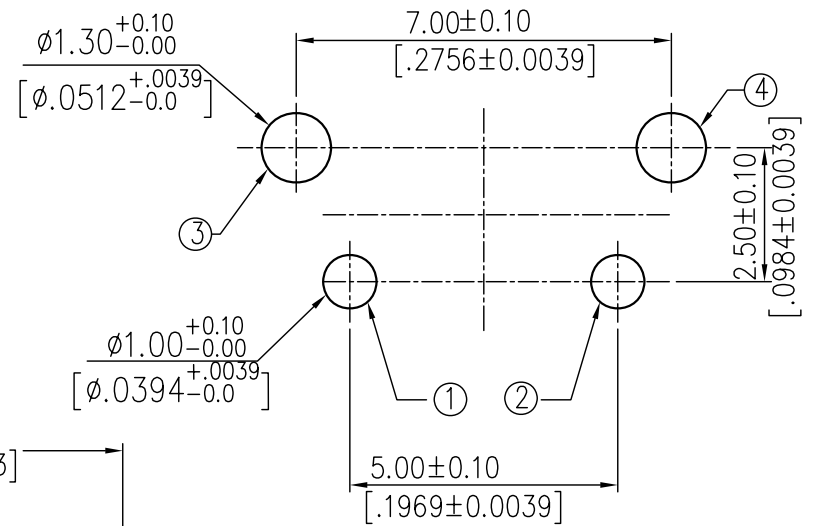
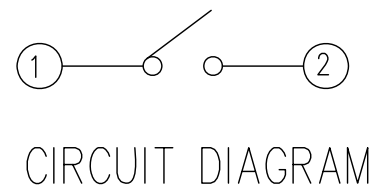
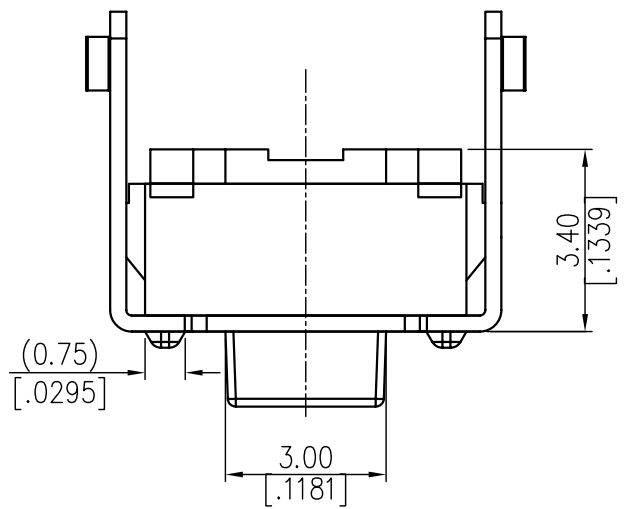


本公司智慧財產，未經同意不得複製

NOTE:  
 1.General Tolerance: ±0.20mm  
 2.Coplanarity 0.1mm MAX



TACH-35□-V	4.55±0.30mm	5.0mm
TACH-32□-V	3.85±0.30mm	1.4mm
TACH-31□-V	3.15±0.30mm	0.7mm
PART NO:	L Height	H Height

△ A	DWG.REL	10.04.30	
ZONE REV.	DESCRIPTION	DATE	APPD.

APPD:	QTY:	<b>圖達實業股份有限公司</b> DIPTRONICS MANUFACTURING INC.	PART NAME:
CHKD:	SCALE: 10:1		TACT SWITCH
DR: Fanny	REV: A	UNITS: mm	DWG NO:
DESIGN: Fanny			TACH-3□□-V
		PART NO:	
		MAT'L:	
		FINISH:	