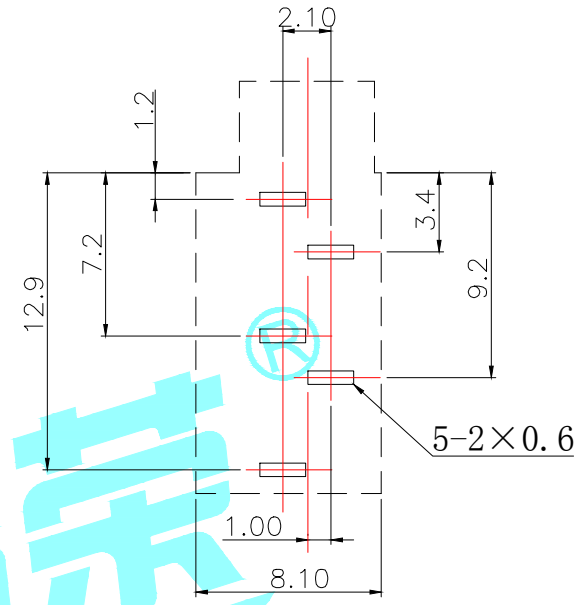
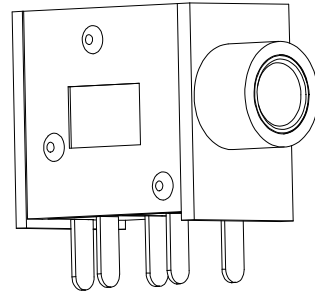
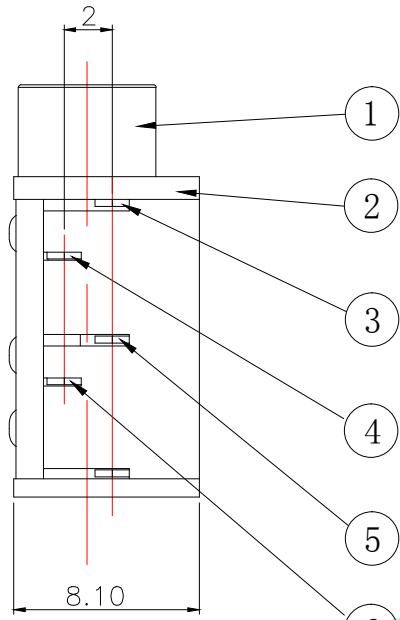
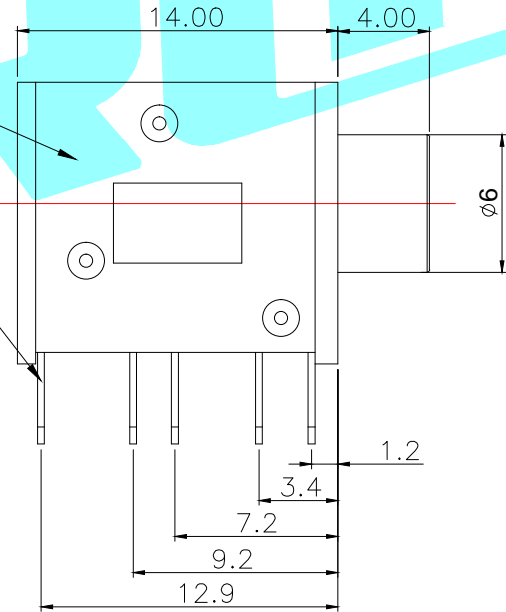
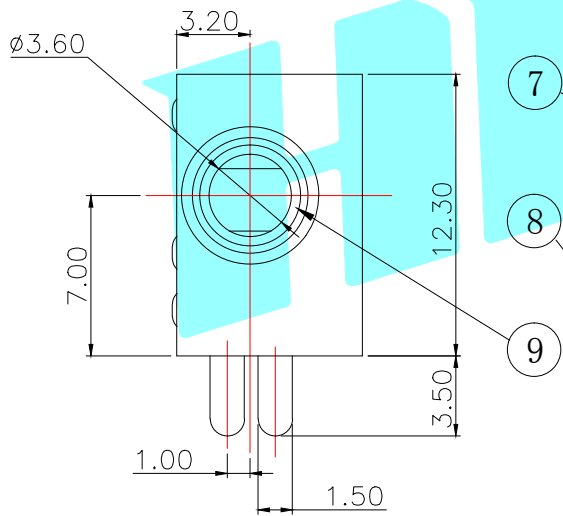


ROHS



P.C.B LAYOUT(copper-sided view)

Rating:0.5A 30V DC  
 Contact Resistance:100 mΩ Max.  
 Operating force:3-20N  
 Operating Life:5,000cycles



Model No.	PJ-3850
Schematic	

Model No.	Housing
PJ-3850-5A	Green (绿色)
PJ-3850F-5A	Pink (粉色)

②	Terminal	5	Phosphor bronze	Ag Plating		
①	Housing	1	Nylon	Green/Pink		
ITEM	PART NAME	TER'NO.	QTY.	MATERIAL	FINISHING	REMARK

APPROVALS		DATE		 ELECTRONICS CO.,LTD		
DRAWN	J.X.Zhang	2013/11/11				
CHECKED				PART NO.		
APPROVALS				UNIT: mm	SCALE: 1:1	PROJ:
TOLERANCES ARE	30~以上 ±0.30	10~30 ±0.20	5~10 ±0.15	~ 5 ±0.10	ANGLE	±2'
ECN NO.	REV.	DATE.	DESCRIPTION.	CHANGE.	CHECK.	APPRO.

_____	A	_____	NEW	_____	_____	_____
ECN NO.	REV.	DATE.	DESCRIPTION.	CHANGE.	CHECK.	APPRO.

韩荣 HRO