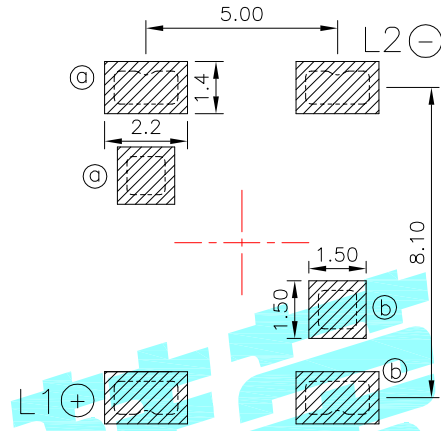
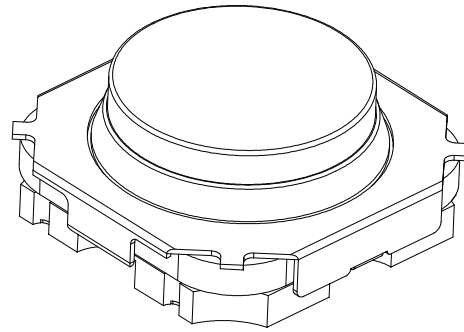
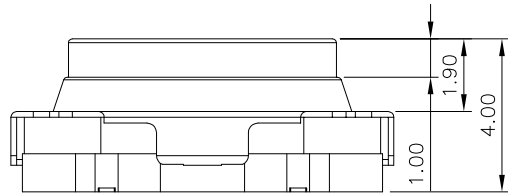
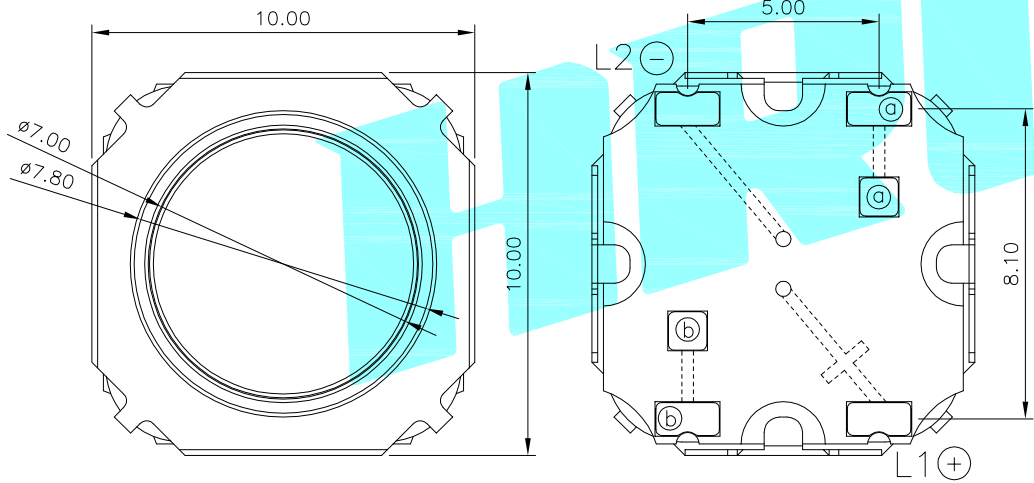
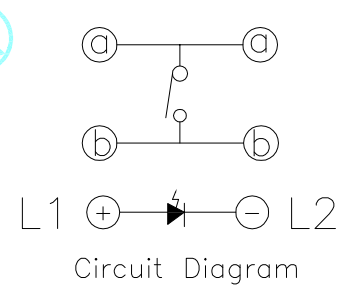


# ROHS



PCB Layout(Top view)



LED colour(LED颜色)	Part No. (料号)
White(白色)	K6-6280S-01
Red(红色)	K6-6280S-02
Blue(蓝色)	K6-6280S-03
Green(绿色)	K6-6280S-04
Yellow(黄色)	K6-6280S-05
Orange(橙色)	K6-6280S-06
Jade Green(翠绿色)	K6-6280S-07

NOTE:  
 Forcel: 400±100gf  
 Travel: 0.85±0.2mm  
 Life: 100,000 Cycles

ITEM	PART NAME	TER'NO.	QTY.	MATERIAL	FINISHING	REMARK
④	Terminal	—	2	Brass(0.3t)	—	—
③	Base	—	1	Fiberglass	—	—
②	Cover	—	1	SUS	—	—
①	Keystoke	—	1	Silica gel	Transparent	—

APPROVALS		DATE		HRC 韩稼® ELECTRONICS CO.,LTD		
DRAWN	LIUCAN	2022.7.18		TITLE:	LED Tact Switch	
CHECKED				PART NO.	K6-6280S	
APPROVALS				UNIT: mm	SCALE: 1:1	PROJ:
TOLERANCES ARE	30~以上 10~30 5~10 ~ 5	±0.30 ±0.20 ±0.15 ±0.10	ANGLE	±2'	DRAWING NO.	SHEET 1 OF 1

ECN NO.	REV.	DATE.	DESCRIPTION.	CHANGE.	CHECK.	APPRO.
	A		NEW			