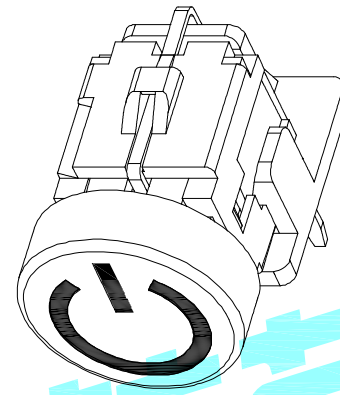
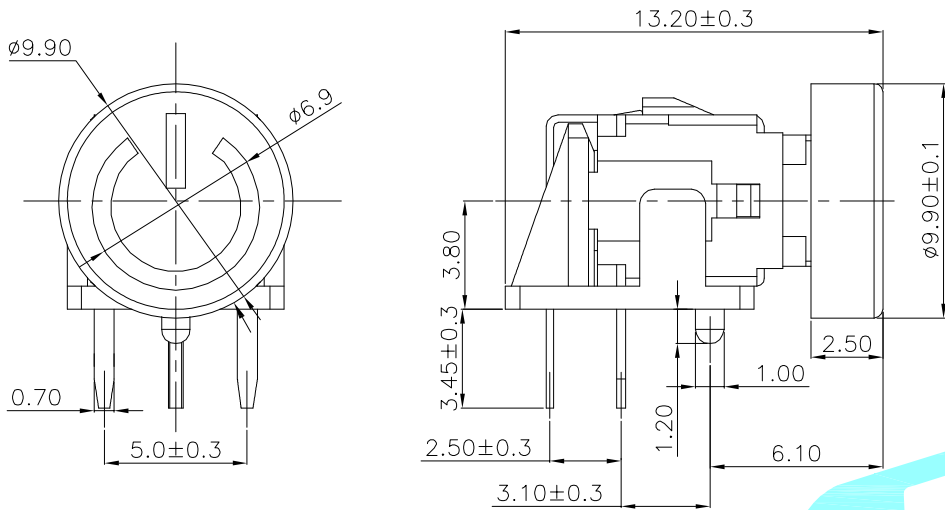
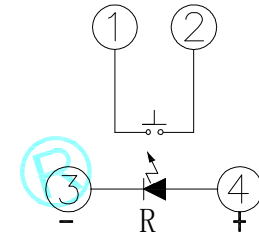


ROHS

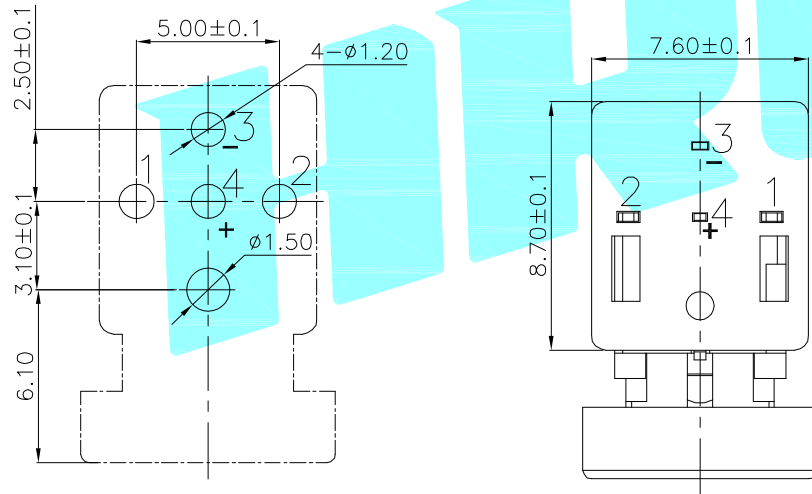
定制反向灯色，大尺寸电源符号



Red/Emerald Green(红/翠绿色)



Circuit Diagram



PCBLayout(pattern Side)

Typical Specifications

- 1.Rating : DC 30V 0.3A
- 2.Operating Force : 250 ± 50 gf
- 3.Contact Resistance : $100\text{m}\Omega\text{MAX}$
- 4.Life : 100,000 Cycles Min

②	Terminal	—	4	Phosphor bronze	Ag Plating	—
①	Housing	—	1	Nylon	Black	—
ITEM	PART NAME	TER'NO.	QTY.	MATERIAL	FINISHING	REMARK
APPROVALS			DATE	 ELECTRONICS CO.,LTD		
DRAWN	LIUCAN	2022.4.27	TITLE: LED Tact Switch			
CHECKED			PART NO. K6-6277D-27F			
APPROVALS			DRAWING NO.			
TOLERANCES ARE		30~以上	± 0.30	ANGLE	UNIT: mm	SCALE: 1:1
		10~30	± 0.20	$\pm 2'$	DRAWING NO.	SHEET 1 OF 1
		5~10	± 0.15			
		~ 5	± 0.10			

_____	A	_____	NEW	_____	_____	_____
ECN NO.	REV.	DATE.	DESCRIPTION.	CHANGE.	CHECK.	APPRO.