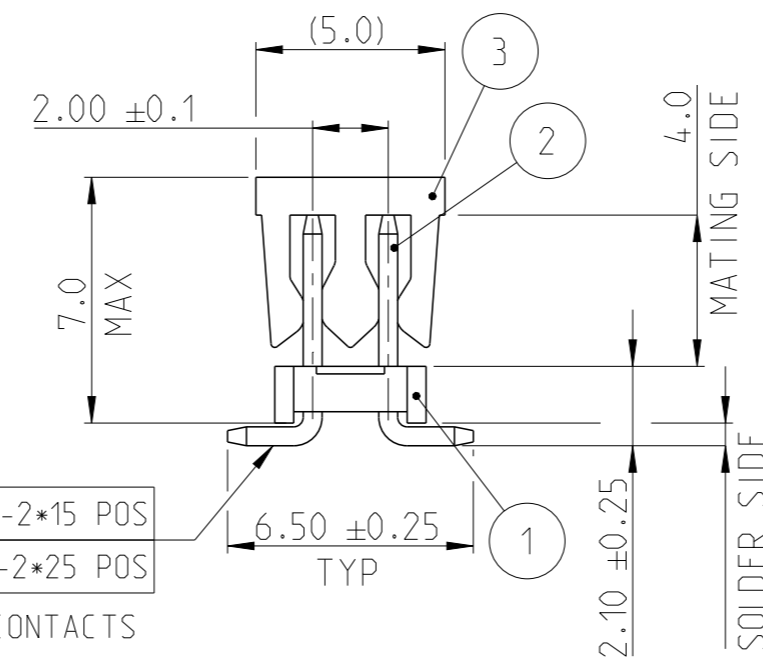
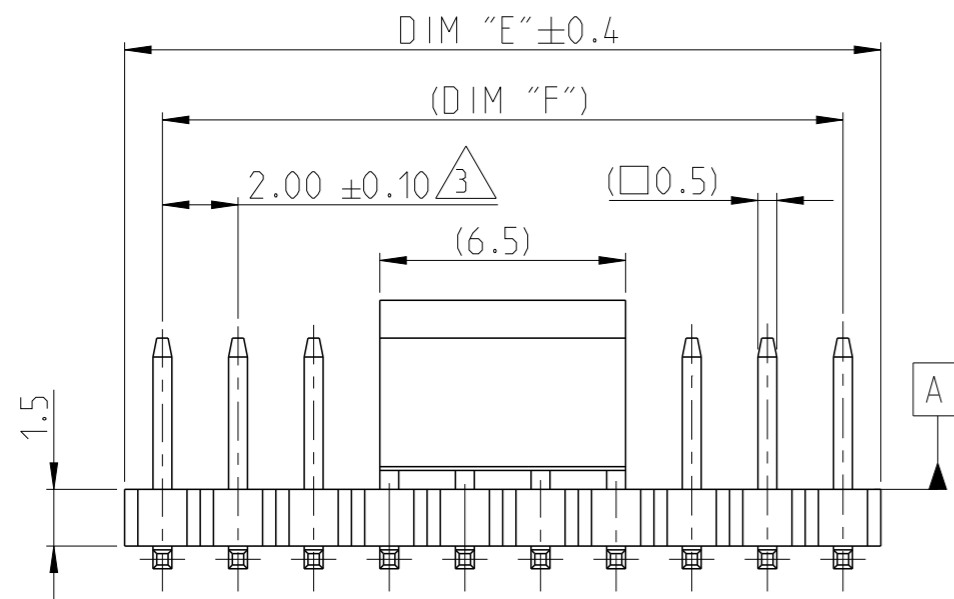


P	LTR	DESCRIPTION	DATE	DWN	APVD
A		PRODUCTION RELEASE	30AUG2019	SS	PS
A1		REMOVED TOLERANCE FROM DIM F	17DEC2019	AY	PS

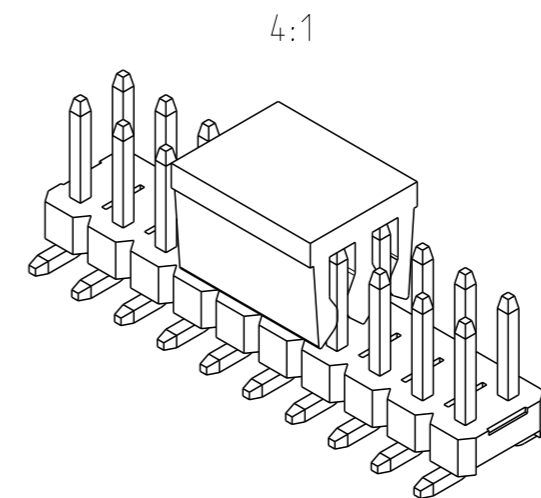
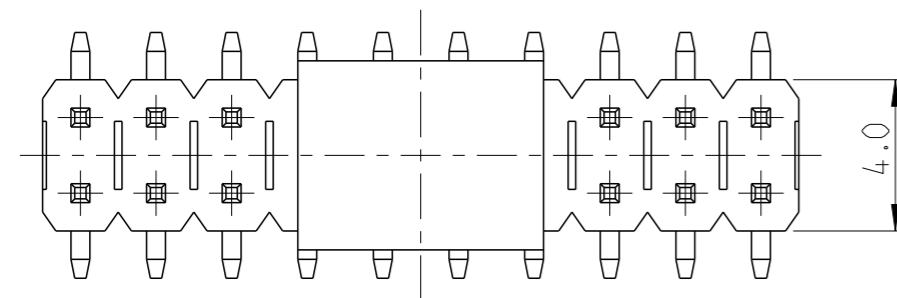


NOTES:

- MATERIAL HOUSING & P&P CAP : HIGH TEMPERATURE THERMOPLASTIC, UL94-V0;COLOR- BLACK
CONTACT PIN : COPPER ALLOY
FINISH : MIN 2.0 μm BRIGHT TIN OVER MIN NICKEL UNDER PLATING.
- PACKAGING: TAPE AND REEL (WITH PICK AND PLACE CAP).
- TOLERANCE NOT CUMULATIVE.
- CUTTING BURR MAX. 0.25 mm.

	0.10	A	2*02-2*15 POS
	0.15	A	2*16-2*25 POS

ALL CONTACTS



48.0	50.0	25	2-2842141-5
46.0	48.0	24	2-2842141-4
44.0	46.0	23	2-2842141-3
42.0	44.0	22	2-2842141-2
40.0	42.0	21	2-2842141-1
38.0	40.0	20	2-2842141-0
36.0	38.0	19	1-2842141-9
34.0	36.0	18	1-2842141-8
32.0	34.0	17	1-2842141-7
30.0	32.0	16	1-2842141-6
28.0	30.0	15	1-2842141-5
26.0	28.0	14	1-2842141-4
24.0	26.0	13	1-2842141-3
22.0	24.0	12	1-2842141-2
20.0	22.0	11	1-2842141-1
18.0	20.0	10	1-2842141-0
16.0	18.0	9	2842141-9
14.0	16.0	8	2842141-8
12.0	14.0	7	2842141-7
10.0	12.0	6	2842141-6
8.0	10.0	5	2842141-5
6.0	8.0	4	2842141-4
4.0	6.0	3	2842141-3
2.0	4.0	2	2842141-2
DIM "F"	DIM "E"	POS PER ROW	TE PN

1-2842141-0 AS SHOWN

PICK AND PLACE CAP	3
CONTACT PIN	2
HOUSING	1
DESCRIPTION	ITEM NO.

THIS DRAWING IS A CONTROLLED DOCUMENT.

DWN SUBHASREE S 09AUG2019

CHK KARTHIK JK 13AUG2019

APVD PRASHANTH S 14AUG2019

PRODUCT SPEC 108-64040

APPLICATION SPEC 114-32259

WEIGHT -

CUSTOMER DRAWING

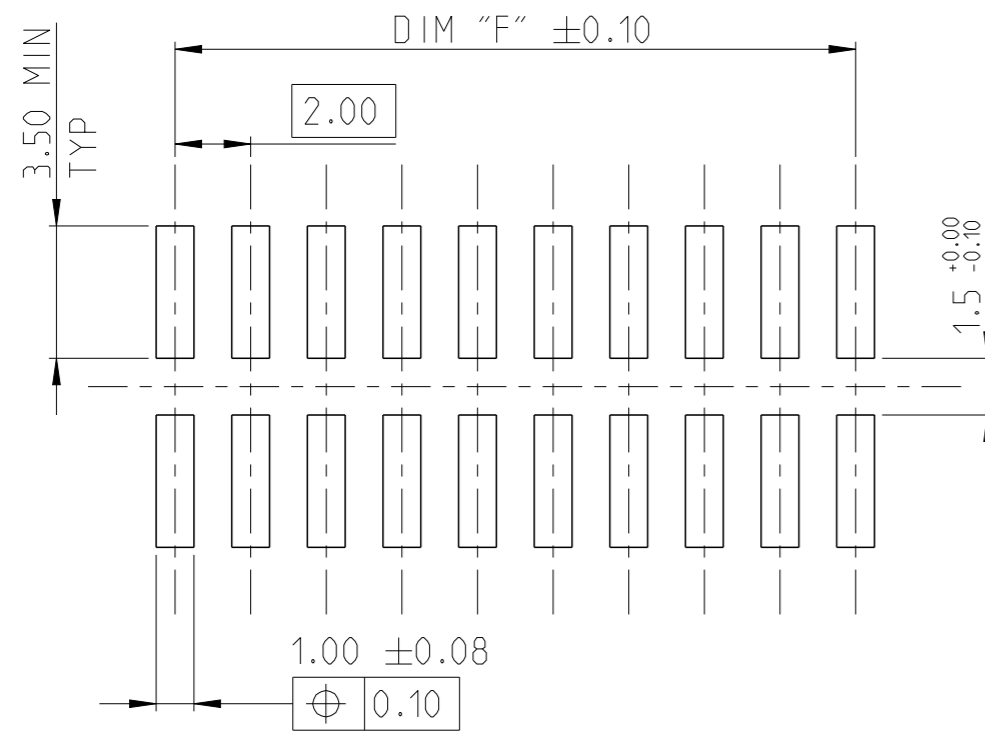
DIMENSIONS:	TOLERANCES UNLESS OTHERWISE SPECIFIED:
mm	
0 PLC	±
1 PLC	±0.2
2 PLC	±0.15
3 PLC	±
4 PLC	±
ANGLES	±2°
FINISH	SEE NOTES

MATERIAL SEE NOTES



NAME AMPMODU 2mm BREAKAWAY HEADER, DUAL ROW, VERTICAL SMD, Sn TR, WITH PICK AND PLACE CAP

SIZE	CAGE CODE	DRAWING NO	RESTRICTED TO
A3	00779	©=2842141	-



RECOMMENDED PCB PATTERN