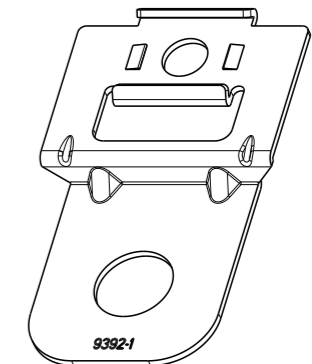
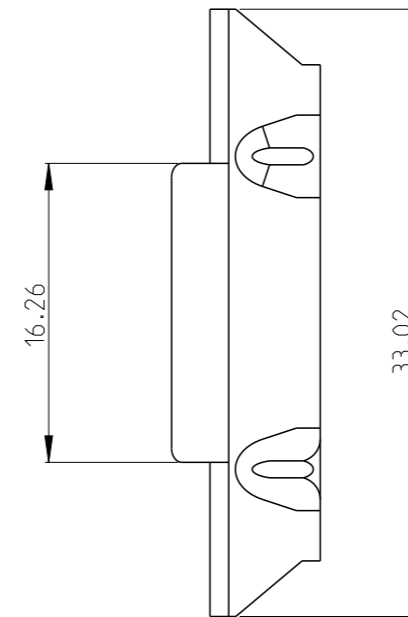
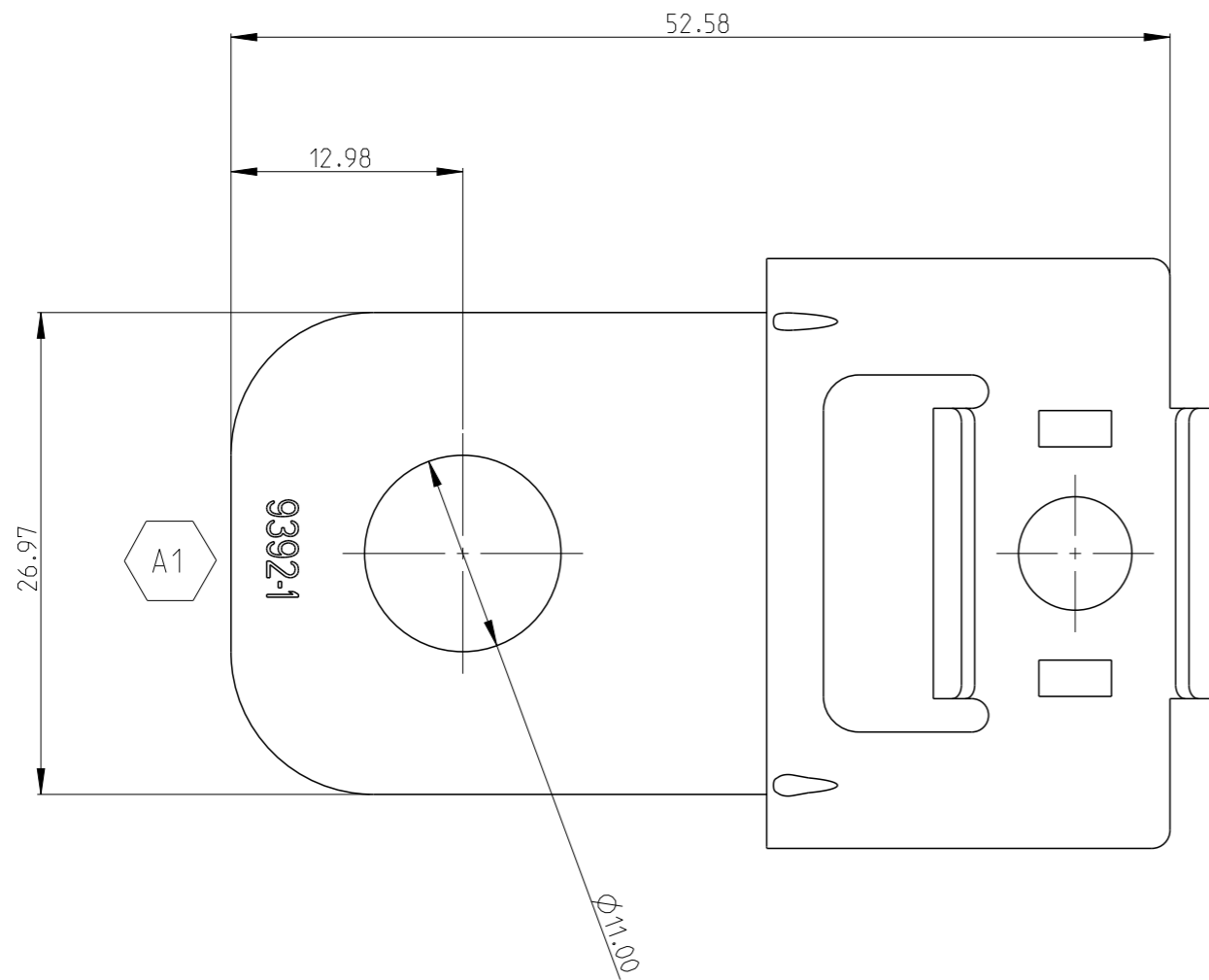
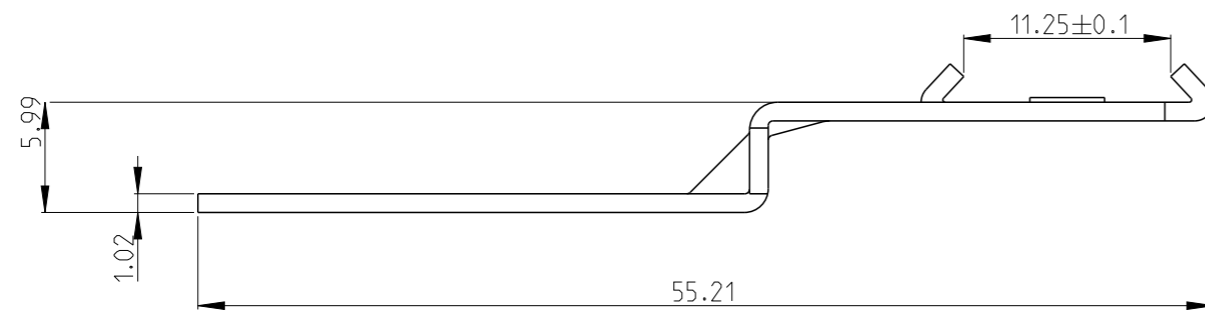


P	LTR	DESCRIPTION	DATE	DWN	APVD
	A	INITIAL RELEASE	3NOV2020	J.S	I.Y
	A1	ECR-20-016317	18NOV2020	J.S	I.Y



3D VIEW



NOTES: UNLESS OTHERWISE SPECIFIED

- THIS PART MATES WITH DT, DTM, DTP, DTHD, DTCE RECEPTACLES OR OTHER PARTS WITH THE CLIP RETENTION FEATURE.
- CLIP RETENTION FORCE SHALL BE 89N MINIMUM.

THIS DRAWING IS A CONTROLLED DOCUMENT.

DIMENSIONS:	TOLERANCES UNLESS OTHERWISE SPECIFIED:
mm	
	0 PLC ±
	1 PLC ±
	2 PLC ±0.64
	3 PLC ±
	4 PLC ±
	ANGLES ±
MATERIAL	FINISH
STEEL	ZINC

DWN	J.SHANG	3NOV2020
CHK	C.WAN	3NOV2020
APVD	I.YIN	3NOV2020
PRODUCT SPEC	-	
APPLICATION SPEC	-	
WEIGHT	12.1g	

2379392-1	STEEL	ZINC	12.1g
TE PN	MATERIAL	FINISH	WEIGHT



NAME
METAL CLIP, 11MM HOLE
SIDE MOUNTING BRACKET

SIZE	CAGE CODE	DRAWING NO	RESTRICTED TO
A3	00779	©-2379392	

RESTRICTED CUSTOMER	SCALE 1:1	SHEET 1 OF 1	REV A1
---------------------	-----------	--------------	--------