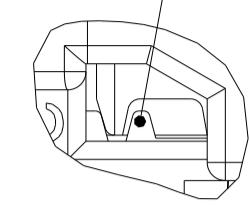
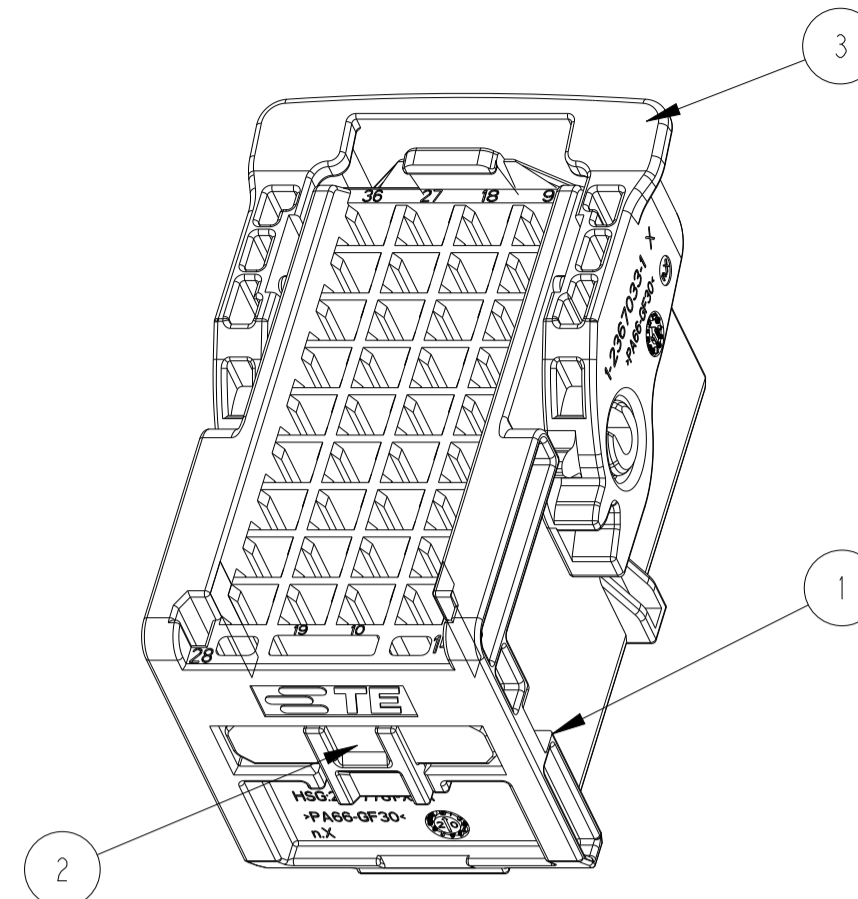
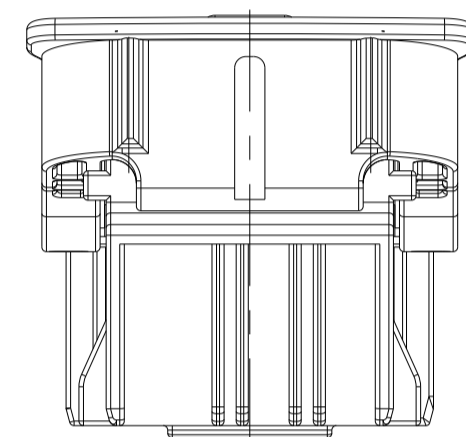
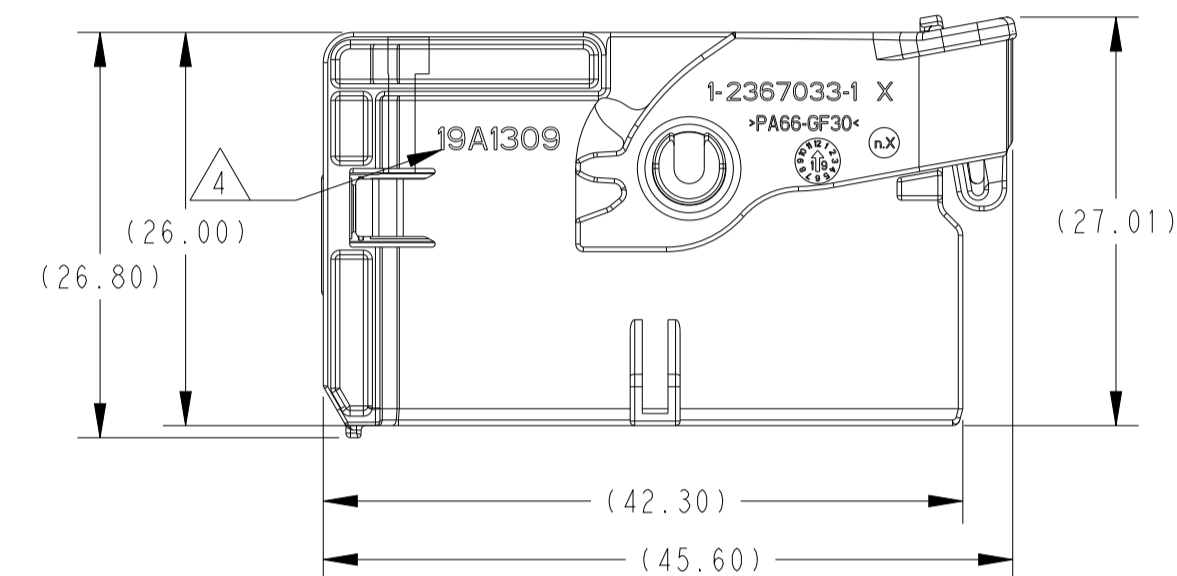
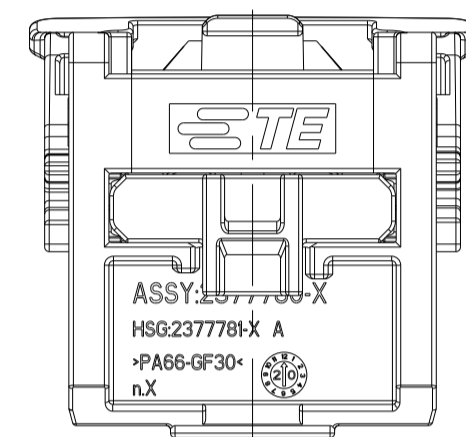
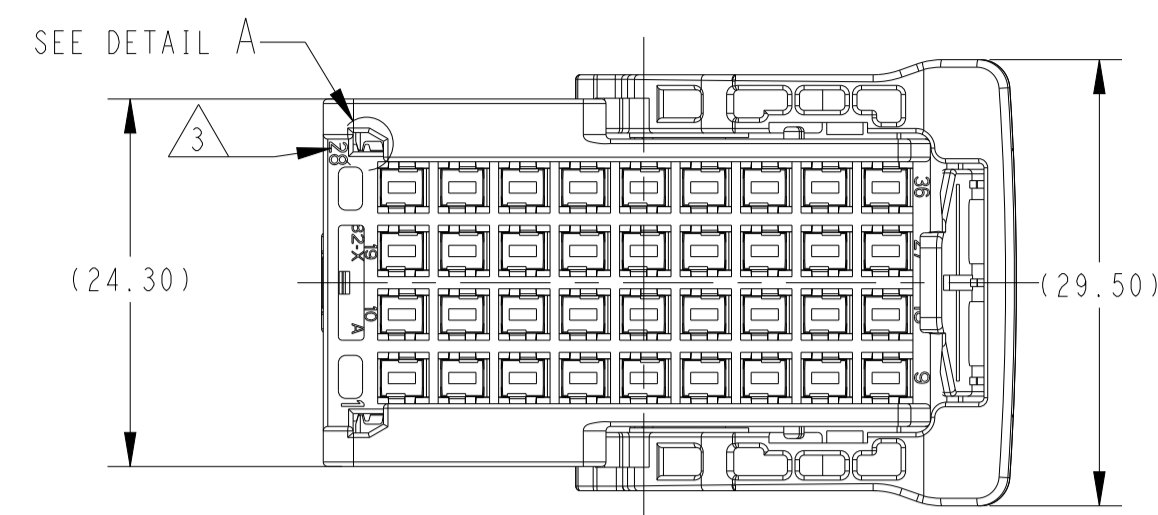


237780-1 SHOWN AS

SECOND LOCK IN PRE-LOCK POSITION

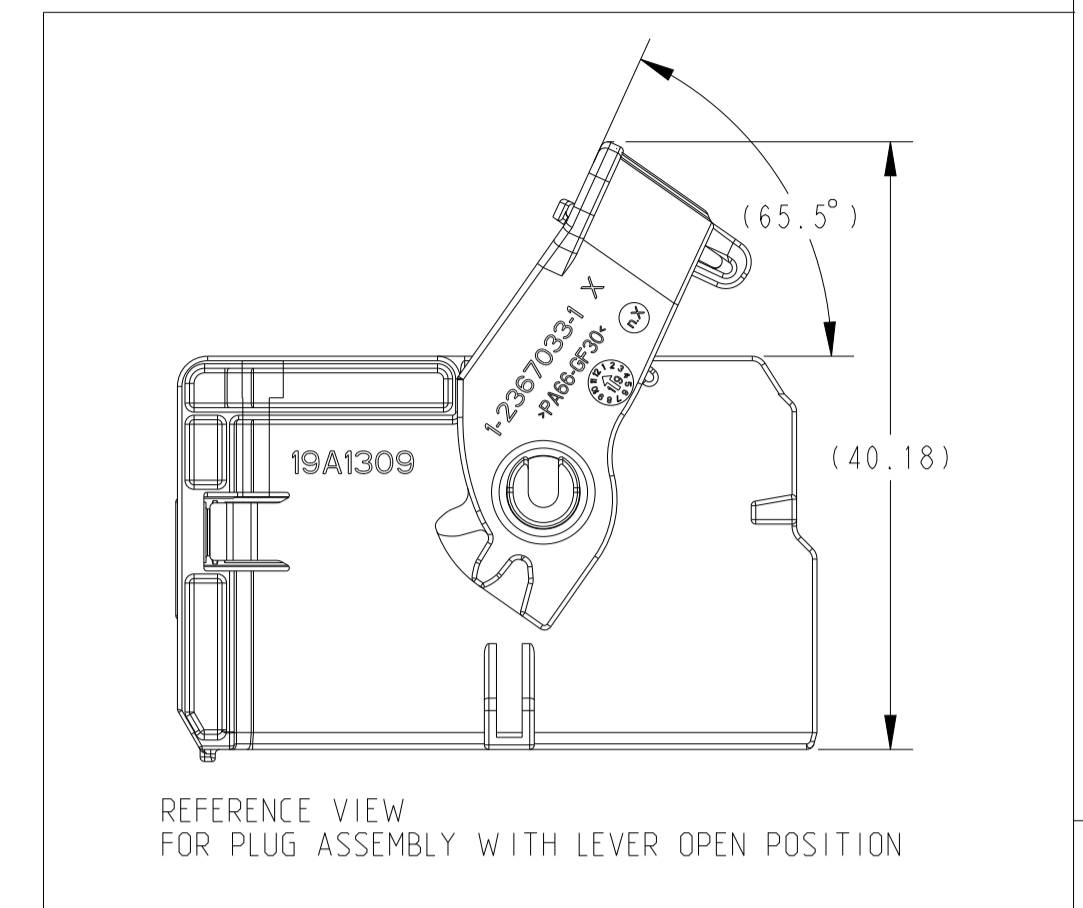


DETAIL A
SCALE 8:1



DELIVERY CONDITION
LEVER IN LOCKED POSITION

REVISIONS				
P	LTN	DESCRIPTION	DATE	OWN APVD
A		INITIAL RELEASE	24AUG2020	L.G I.Y
A1		SEE ECR-20-016351	30NOV2020	L.G I.Y
A2		SEE ECR-20-017290	07DEC2020	L.G I.Y
A3		SEE ECR-21-003179	16MAR2021	L.G I.Y



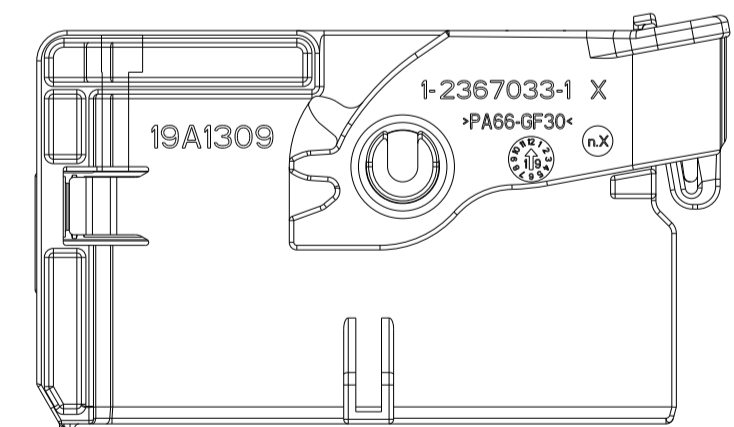
REFERENCE VIEW
FOR PLUG ASSEMBLY WITH LEVER OPEN POSITION

NOTES:

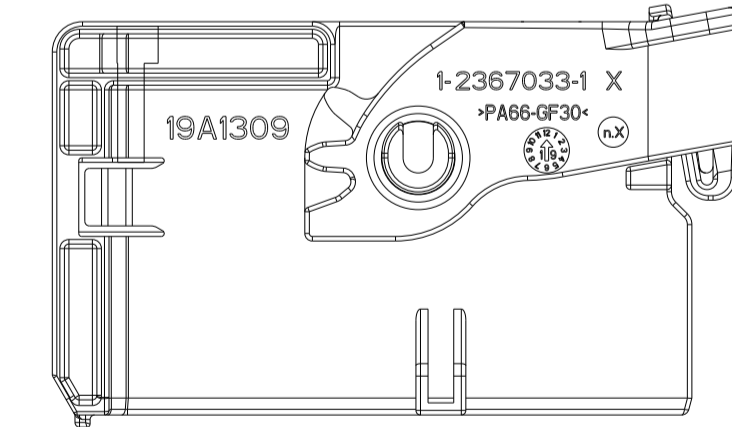
1. THIS PLUG MATES WITH TAB 237783-X. (X=1, 2, 3, 4 FOR VARIOUS CODE).
2. MATERIAL: SEE TABLE.
3. IDENTIFICATION FOR CABLE PINOUT.
4. DATE CODE: IDENTIFIES THE YEAR, MONTH, DAY AND HOUR OF ASSEMBLY. SUCH AS :19A1309
 19: YEAR, FIRST AND SECOND DIGITS (19=2019)
 A: MONTH, THIRD DIGIT, EXCLUDING 1, A=JAN, B=FEB, C=MARCH...H=AUGUST, J=SEPTEMBER...
 13: DAY, FOURTH AND FIFTH DIGITS(14=14th DAY)
 09: HOUR, SIXTH AND SEVENTH DIGITS(11=11AM)
5. INSTALL LEVER AND SECOND LOCK ONTO HOUSING AS SHOWN. THE ASSEMBLY PROCESS MUST NOT DAMAGE HOUSING AND SECOND LOCK AND LEVER.
6. VERIFY THE SECOND LOCK SEATED ON PRE-LOCK POSITION FOR DELIVERY. PULL SECOND LOCK TO PRE-LOCK BEFORE TERMINAL INSERTION IN CASE OF SECOND LOCK BEING HIT TO END-LOCK POSITION.
7. REFER TO 114-18386, FOR MCP 1.5K CONTACT SYSTEM APPLICATION SPECIFICATION. APPLICABLE TERMINAL PART NUMBERS AND WIRE SIZE SHOWN AS BELOW FOR RECOMMEND. CONSULT TE CONNECTIVITY FOR MORE APPLICATION INFORMATION.

1534334-1	TIN	1.5	Ø2.2-Ø2.4
1241374-1	TIN	0.5-1.0	Ø1.4-Ø2.1
TERMINAL PN	TERMINAL PLATING	WIRE SIZE (mm ²)	WIRE INSULATION OD (mm)

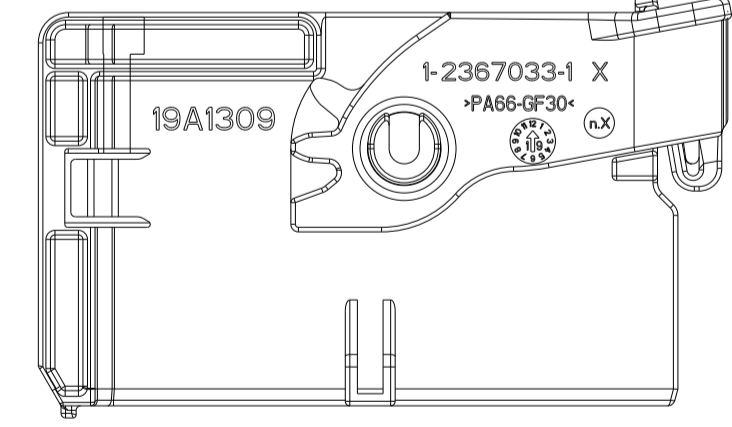
CODING A
237780-1



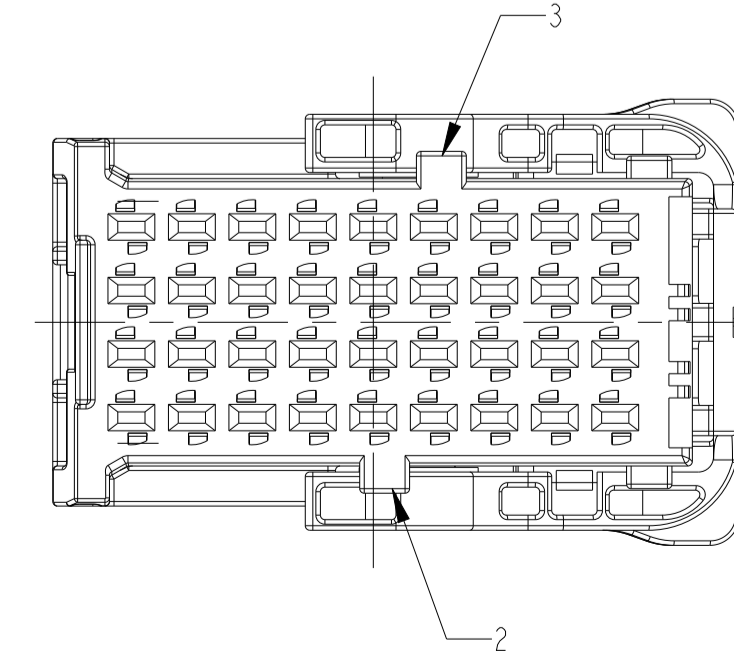
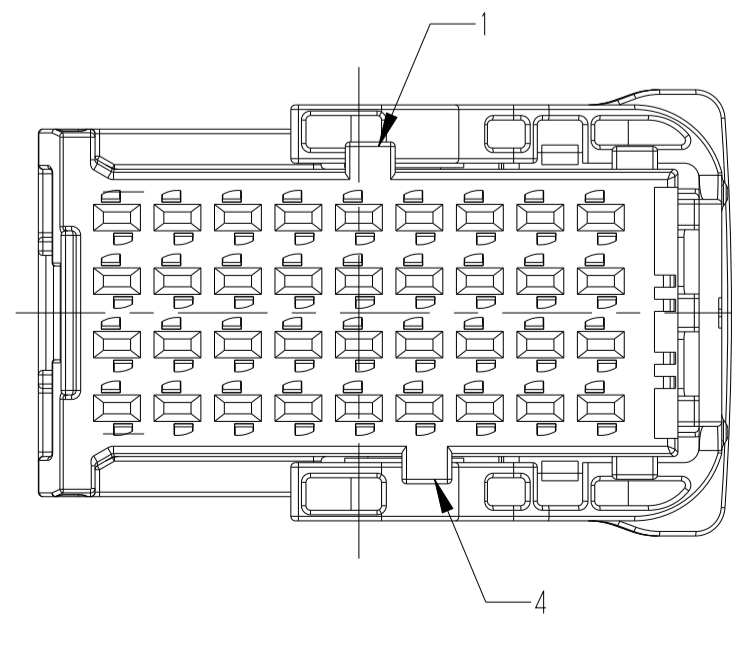
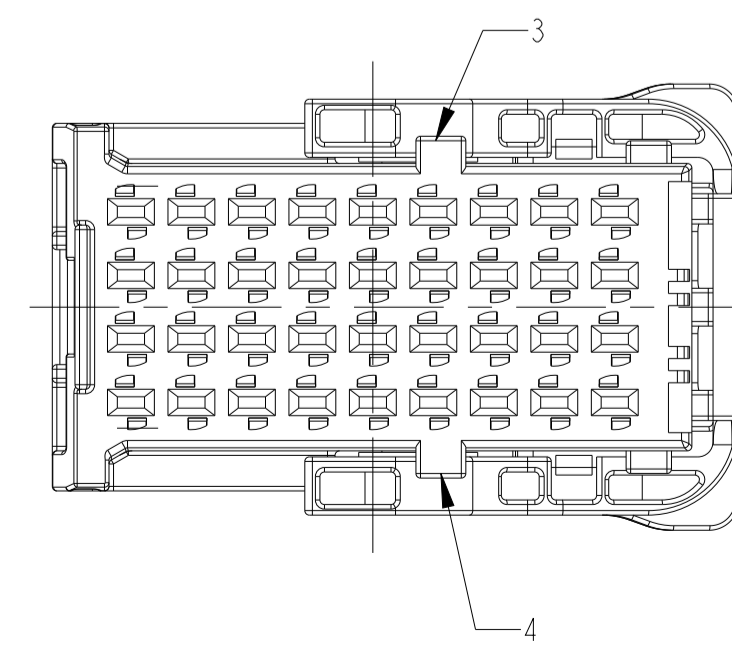
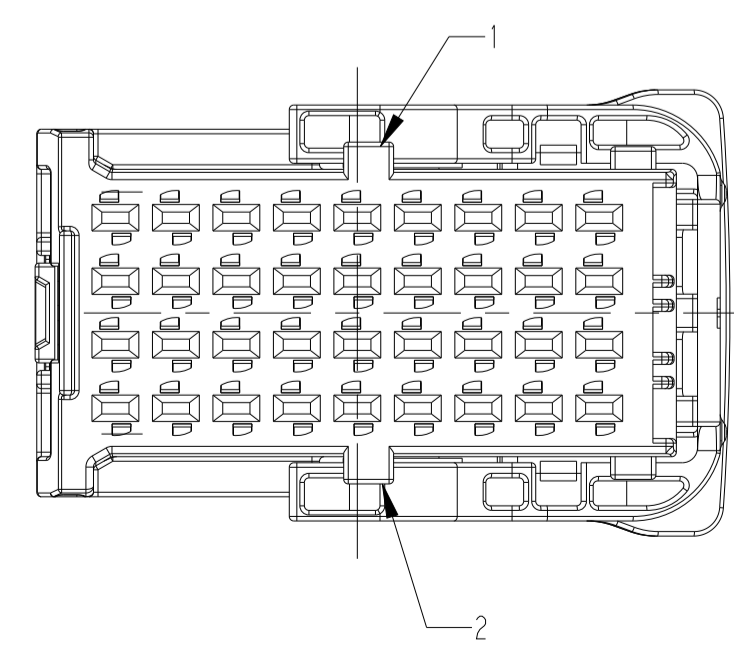
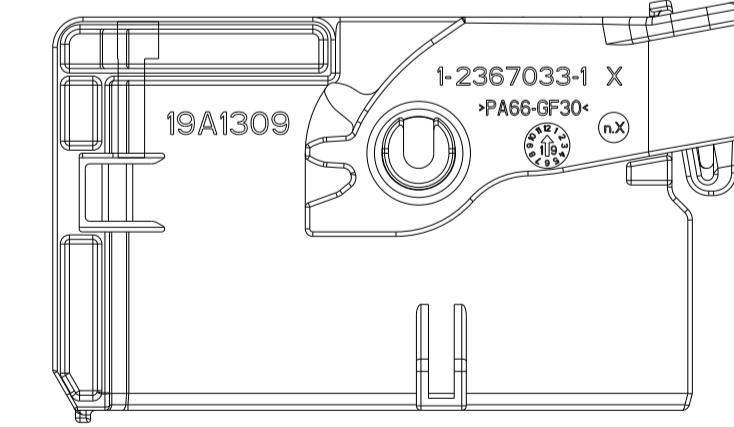
CODING B
237780-2



CODING C
237780-3



CODING D
237780-4



QTY	REQD	PER	ASSY	DESCRIPTION	MATERIAL	COLOUR	ITEM NO
1	1	1	1	LEVER	PA66-GF30	YELLOW	3
1	1	1	1	SECOND LOCK	PA66-GF30	YELLOW	2
1				HOUSING.CODE D	PA66-GF30	BLUE	1
	1			HOUSING.CODE C	PA66-GF30	GREEN	
		1		HOUSING.CODE B	PA66-GF30	PURPLE	
			1	HOUSING.CODE A	PA66-GF30	BROWN	
-4	-3	-2	-1	DESCRIPTION	MATERIAL	COLOUR	ITEM NO
D	C	B	A	CODING			
A	A	A	A	REVISION OF EACH ASSY NO (WHEN BLANK, USE DWG REVISION)			
17.4	17.4	17.4	17.4	WEIGHT OF EACH ASSY NO (g)			
QTY REQD PER ASSY				PARTS LIST			

THIS DRAWING IS A CONTROLLED DOCUMENT.

OWN: L.GAO 23AUG2020
 CHK: E.JIANG 23AUG2020
 APVD: J.YIN 23AUG2020

TE Connectivity

NAME: 36POS, MCP 1.5K, PLUG HSG ASSY
 PRODUCT SPEC: 108-18957
 APPLICATION SPEC: -

SIZE: A | CAGE CODE: 00779 | DRAWING NO: 2377780 | RESTRICTED TO: -

WEIGHT: -
 MATERIAL: -
 FINISH: -

CUSTOMER DRAWING

SCALE: 2:1 | SHEET: 1 OF 1 | REV: A3