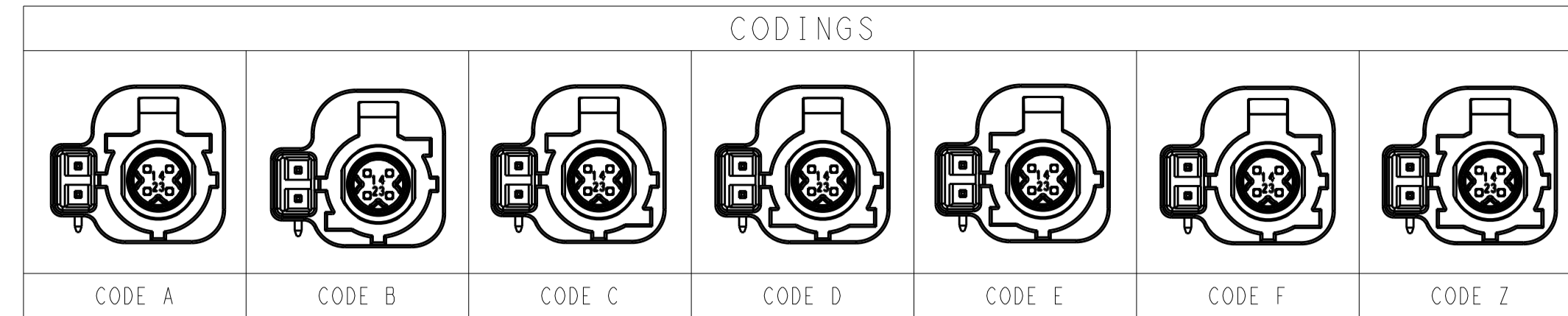
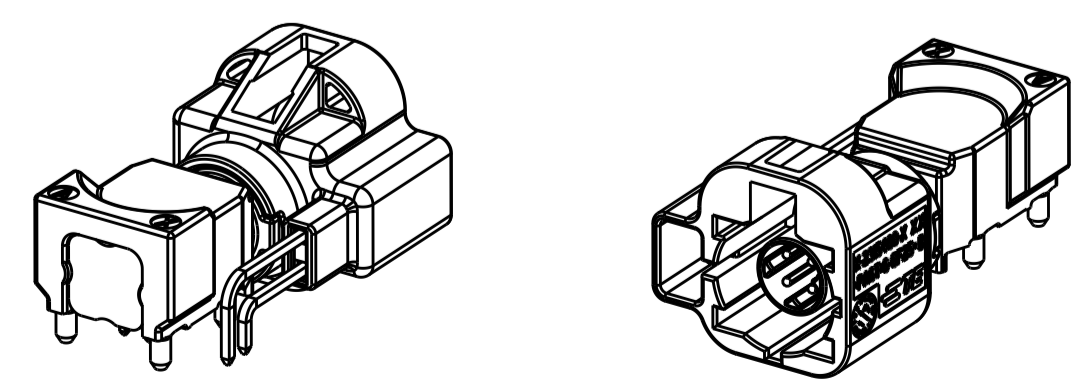
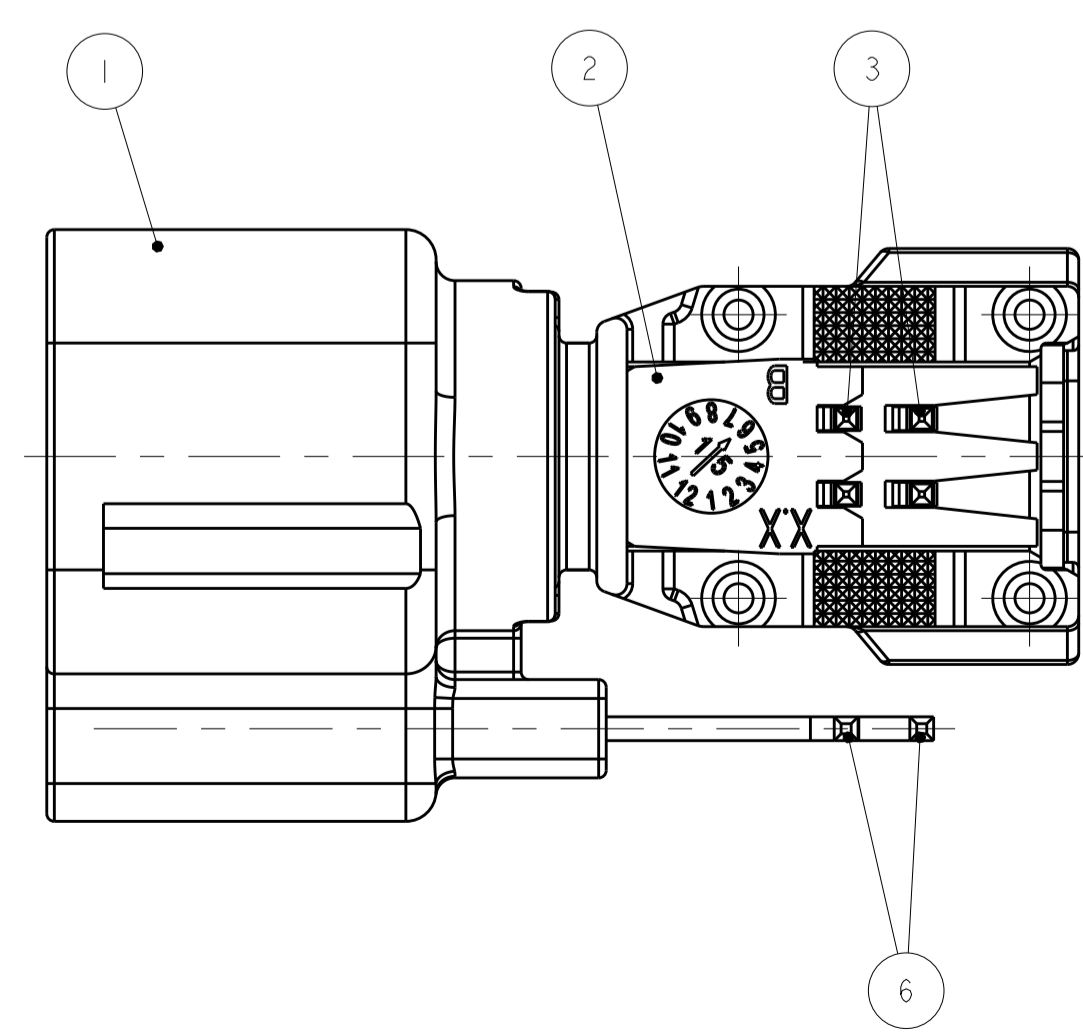
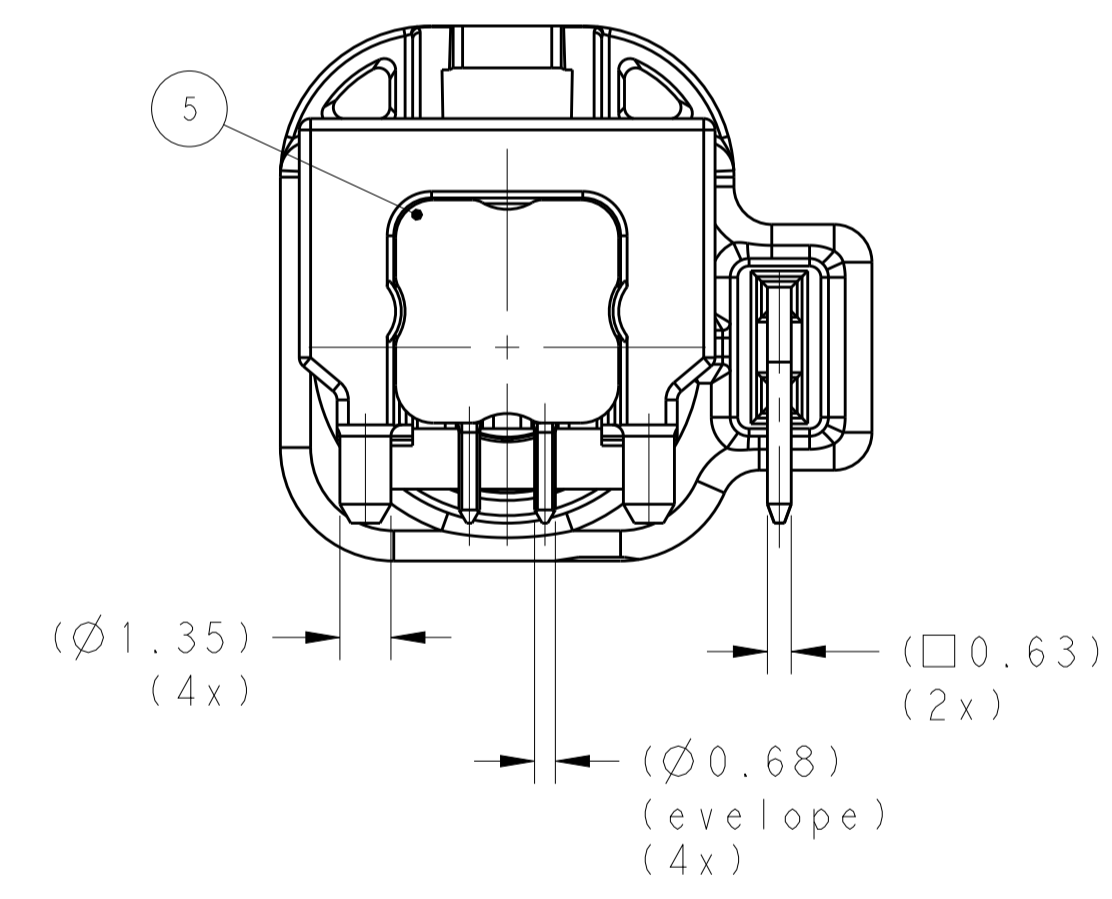
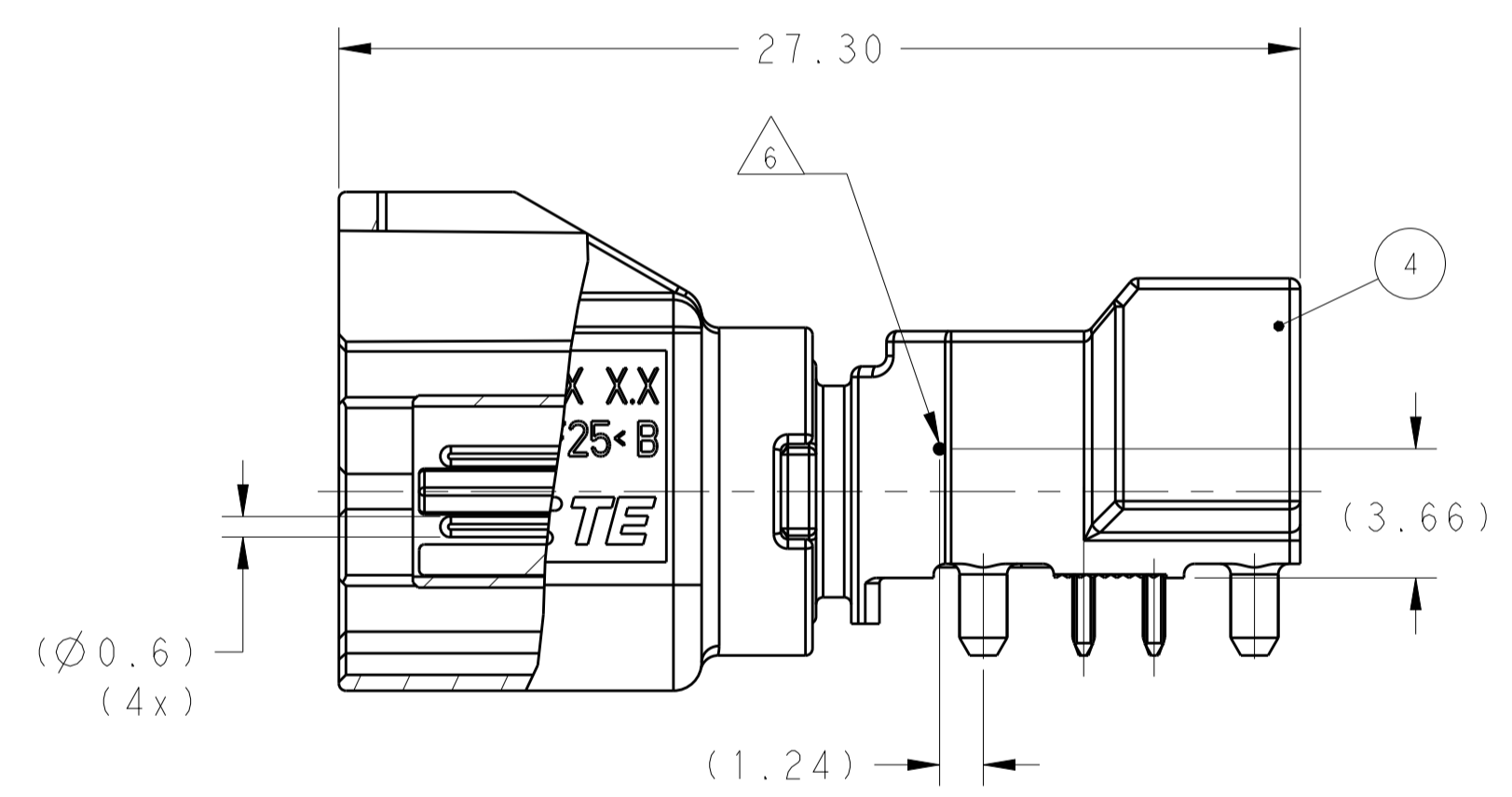
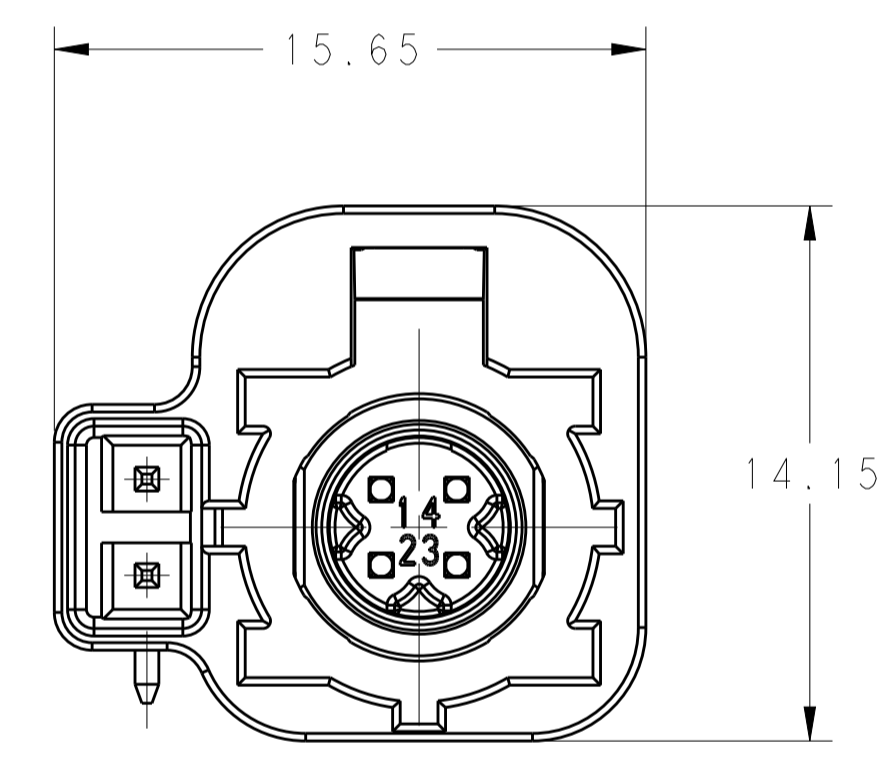
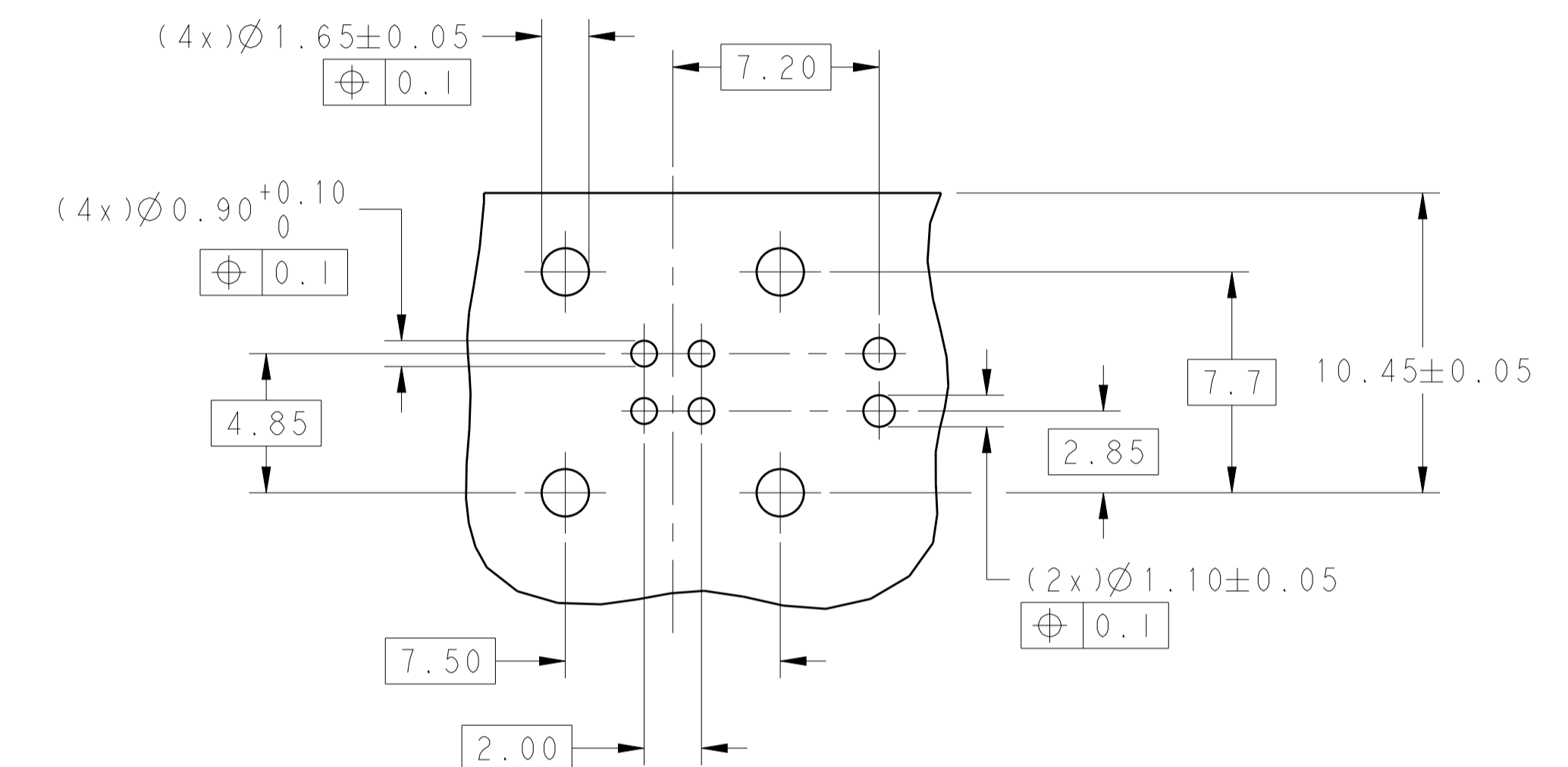
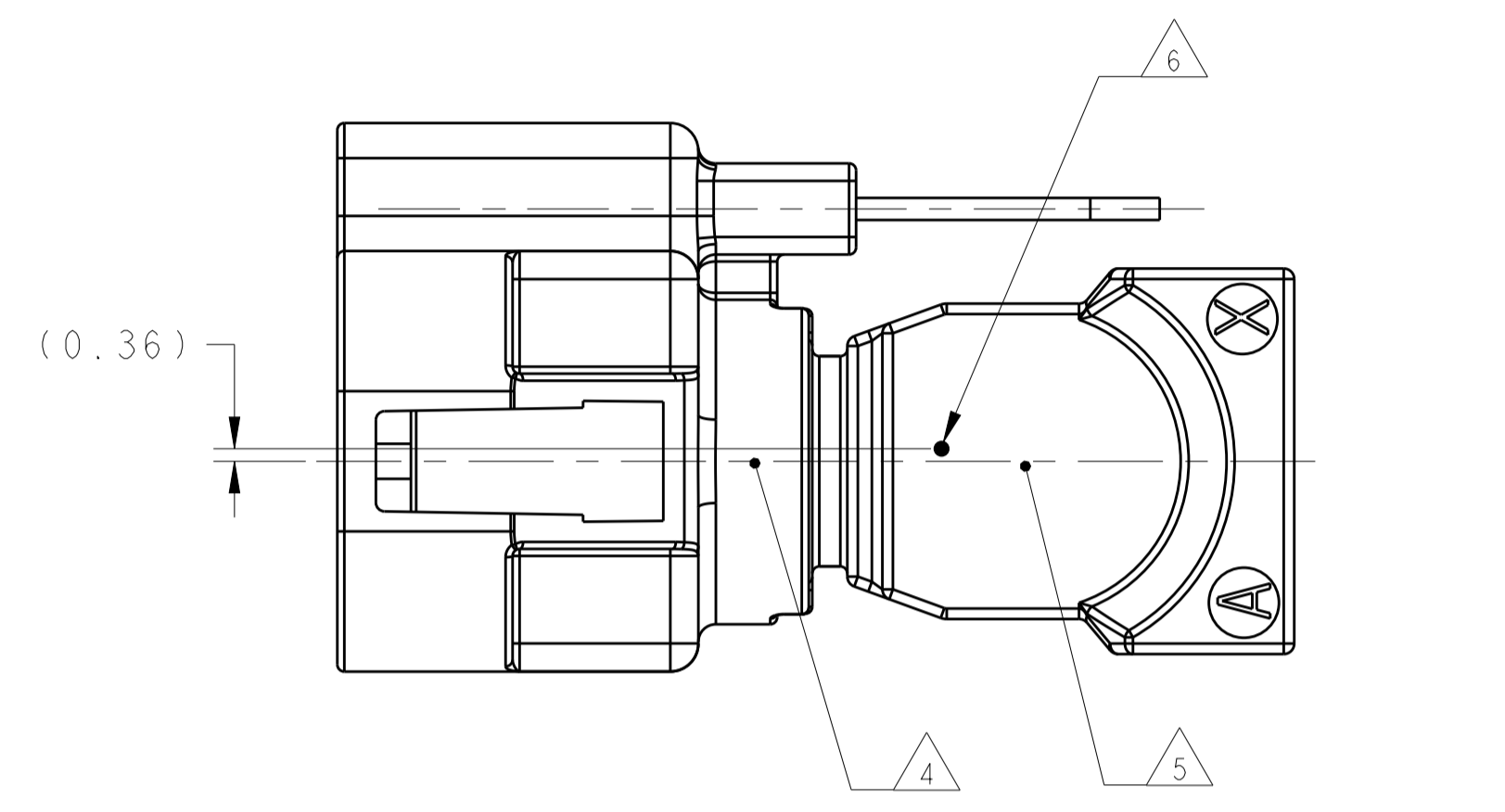


REVISIONS				
P.	LTN.	DESCRIPTION	DATE	OWN. APVD.
A		INITIAL RELEASE	20AUG17	F.P. I.Y.
A2		ECR-18-006317	25AP18	F.P. W.W.
A3		ECR-18-011273	18JUL18	B.Z. I.Y.



- 1 HSD INTERFACE DESIGN ARE LEFT TO TE CONNECTIVITY
- 2 ALL DIMENSIONS IN BRACKETS ( ) FOR INFORMATION ONLY
- 3 PACKAGING: TAPE AND REEL
- 4 MARKING OF 100% TEST PASSED
- 5 AREA OF VACUUM GRIPPER
- 6 CENTER OF GRAVITY

AS SHOWN 2315834-9, CODING Z



SCALE 2:1

QTY	CODE	DESCRIPTION	MATERIAL	FINISH COLOR, SIMILAR RAL	ITEM NO.
1		MOS PIN (LONG)	CuSn4	TIN PLATING	6
1		MOS PIN (SHORT)			
1		SHIELDING CAP	BRASS	TIN PLATING	5
1		SHIELDING BODY	Zn ALLOY	SOLDER SIDE: TIN PLATING. INTERFACE SIDE(OUTER CONTACT): TIN PLATING.	4
2		CONTACT PIN (LONG)	CuSn4	SOLDER SIDE: TIN PLATING. INTERFACE SIDE: GOLD PLATING	3
2		CONTACT PIN (SHORT)			
1		CAVITY BLOCK	PA4T-GF30	BLACK	2
				WATER BULE / 5021	
				NUT BROWN / 8011	
				LEAF GREEN / 6002	
				CLARET VIOLET / 4004	
				SIGNAL BLUE / 5005	
				CREAM WHITE / 9001	
				JET BLACK / 9005	

QUANTITY	CODE	DESCRIPTION	MATERIAL	FINISH COLOR, SIMILAR RAL	ITEM NO.
0-1 0-2 0-3 0-4 0-5 0-6 0-9				ASSY NO. X-2315834-Y	
A B C D E F Z				ASSY CODE	
1 1 1 1 1 1 1				REVISION	

THIS DRAWING IS A CONTROLLED DOCUMENT. DWN: F. PAN 05JAN2017  
 CHK: E. JIANG 0AUG2017  
 APVD: J. YIN 0AUG2017

**STE** TE Connectivity

NAME: HSD HEADER 90DEG 6POS. ASSY.

PRODUCT SPEC: 108-101388  
 APPLICATION SPEC: -

SIZE: A1 CAGE CODE: - DRAWING NO: C=2315834  
 WEIGHT: - RESTRICTED TO: -

Customer Drawing SCALE: 5:1 SHEET: 1 OF 1 REV: A3