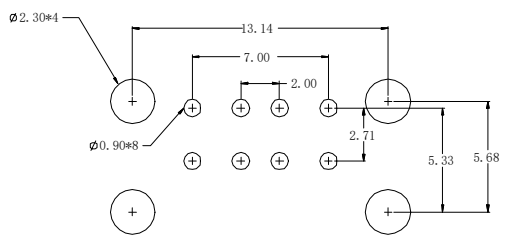
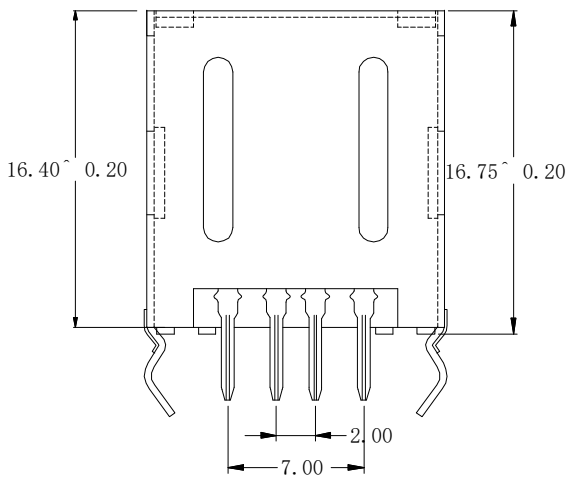
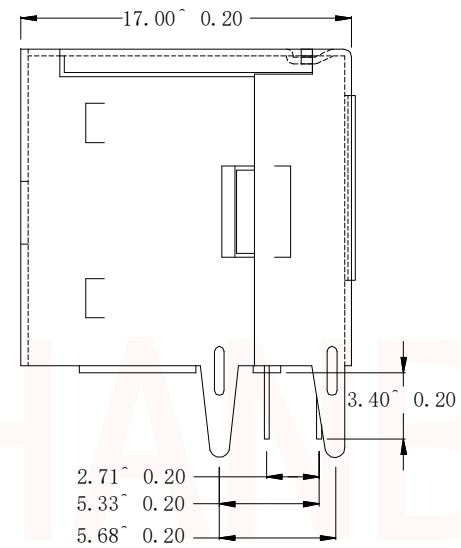
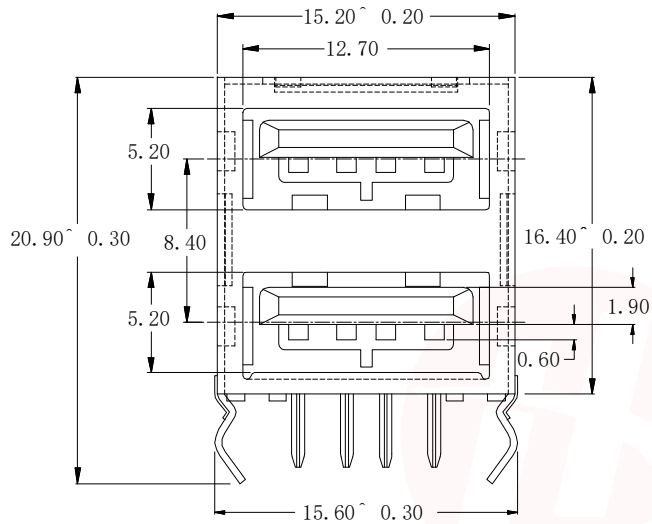




REV.	ECN NO OR DESCRIPTION	REVISED	DATE



- HIJK : Specifications:
 3EFG : Electrical:
- 1.AB3DC Current Rating
1.5A/contact terminal
 - 2.AB3>C Voltage Rating
30V DC
 - 3.?@;< :Contact Resistance
30 milliohms MAX
 - 4.=3> :Dielectric Withstanding Voltage:
500 V AC AT Sea Level
 - 5.9:;< :Insulation Resistance:
1000MEGA ohms MIN
78. : Material:
- 1.56 :Housing:
Hing Temperature Ternmaplastics,
UL 94V-0 PBT White/Black
 - 2.12 :Contact:CoPPer Alloy C2680
 - 3.*+ :Shell: CoPPer Alloy C2680/SPCC
- 34 :Finish:
- 1.12 :Contact: Plated Gold in Mating Area;
Tin On Solder Talls
 - 2.*+ :Shell:
Nickel Plating

UNLESS OTHERWISE SPECIFIED TOLERANCES		东莞市汉博电子科技有限公司 DONGGUAN HANBO TECHNOLOGY CO., LTD		
DECIMALS:	ANGLES:	TITLE	USB AF 90度双层全包	
X :±0.30	X :±2°	DWN	xiong	PART NO. USB-U267-BWS
X.X :±0.20	X.X :±1°	CHKD	lee	SCALE:1:1 UNIT: mm
X.XX :±0.10		APVD	wang	SIZE: A4 SHEET:10F 1 REV: A4
CUSTOMER COPY				