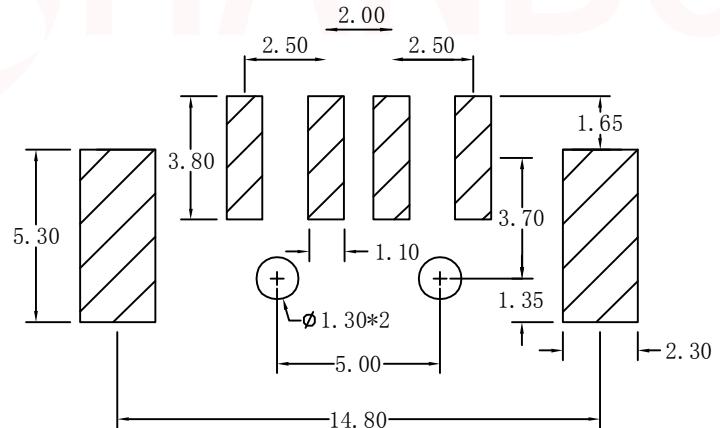
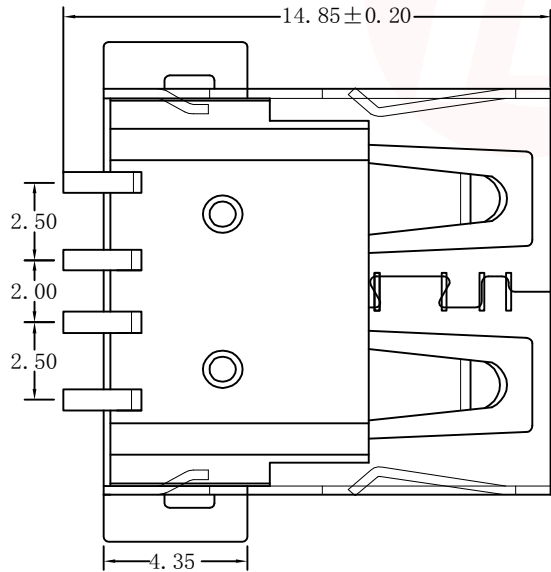
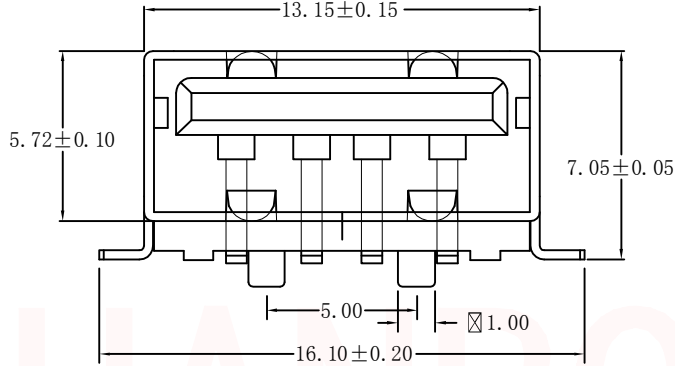
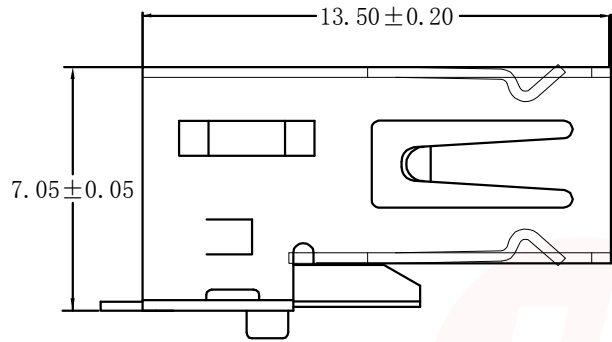




| REV. | ECN NO OR DESCRIPTION | REVISED | DATE |
|------|-----------------------|---------|------|
|      |                       |         |      |
|      |                       |         |      |



规格说明: Specifications:

电气特性: Electrical:

1. 额定电流: Current Rating  
1.5A/contact terminal
2. 额定电压: Voltage Rating  
30V DC
3. 接触阻抗: Contact Resistance  
30 milliohms MAX
4. 耐电压: Dielectric Withstanding Voltage:  
500 V AC AT Sea Level
5. 绝缘阻抗: Insulation Resistance:  
1000MEGA ohms MIN

物理性能: Mechanical:

1. 插拔力: Connector Mate and Unmate Force  
Mate force: 3.75kgf (MAX)  
Unmate force: 1.02kgf (MIN)
2. 端子保持力: Terminal Retention  
1.2kgf (MIN)

原材料: Material:

1. 塑胶: Housing:  
High Temperature Thermoplastics,  
UL 94V-0 PBT/LCP White/Black
2. 端子: Contact: Copper Alloy C2680
3. 外壳: Shell: Copper Alloy C2680/SPCC

电镀: Finish:

1. 端子: Contact: Plated Gold in Mating Area;  
Tin On Solder Tails
2. 外壳: Shell:  
Nickel Plating

|                                       |           |   |                           |                        |               |
|---------------------------------------|-----------|---|---------------------------|------------------------|---------------|
| UNLESS OTHERWISE SPECIFIED TOLERANCES |           | 东莞市汉博电子科技有限公司<br>DONGGUAN HANBO TECHNOLOGY CO., LTD |                           |                        |               |
| DECIMALS:                             | ANGLES:   | TITLE   | USB AF 180°全贴有柱1.0 (直边铁壳) |                        |               |
| X : ±0.30                             | X : ±2°   | DWN   | xiong                     | PART NO. USB-U258-BWDT |               |
| X.X : ±0.20                           | X.X : ±1° | CHKD  | lee                       | SCALE: 1:1             | UNIT: mm      |
| X.XX : ±0.10                          |           | APVD  | wang                      | SIZE: A4               | SHEET: 1 OF 1 |
| CUSTOMER COPY                         |           |   |                           |                        |               |