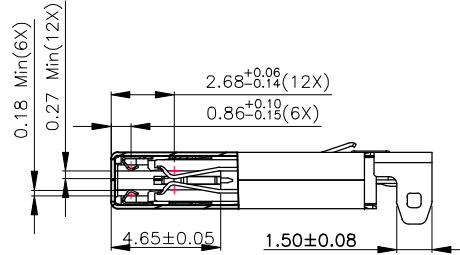
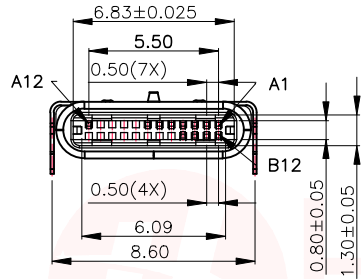
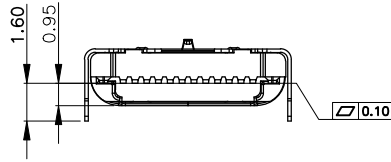
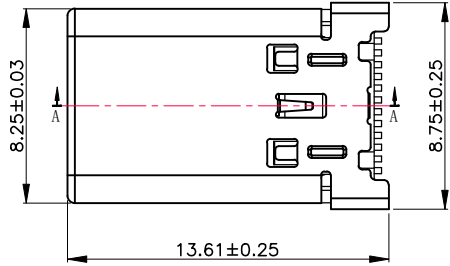
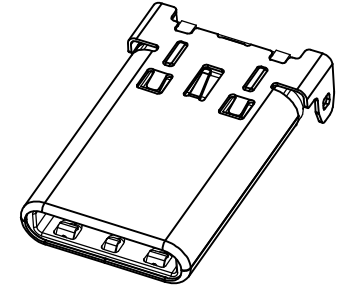




REV.	ECN NO OR DESCRIPTION	REVISED	DATE



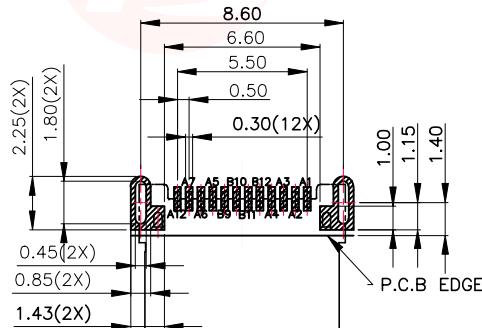
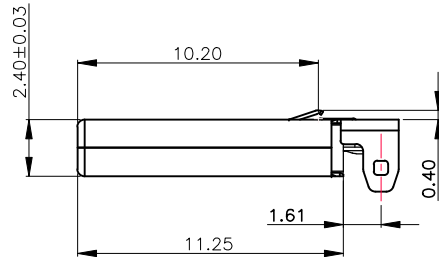
SECTION:A-A
SCALE 1:1



- NOTE:**
- MATERIAL SPECIFICATION:**
 - HOUSING:HIGH TEMPERATURE RESISTANT PLASTIC,UL94 V-0.
 - CONTACTS:COPPER ALLOY
 - MID PLATE: STAINLESS STEEL
 - FRONT SHELL: STAINLESS STEEL
 - EMI PLATE: STAINLESS STEEL
 - PLATING SPECIFICATION:**
 - CONTACTS:
 - Ni 50u" MIN. UNDER PLATED OVER ALL.
 - Au PLATED ON THE FUNCTIONAL AREA OF CONTACT. (GOLD PLATING THICKNESS FOLLOW THE P/N)
 - 80u" MIN TIN PLATED ON SOLDER AREA.
 - FRONT SHELL:
 - Ni 30u" MIN. UNDER PLATED OVER ALL.
 - MID PLATE:
 - Ni 50u" MIN. UNDER PLATED OVER ALL.
 - EMI PLATE:
 - CLEAR ONLY
 - MECHANICAL PERFORMANCE,**
 - INSERTION FORCE: 0.5~2.0kgf.
 - REMOVAL FORCE: 0.8kgf~2.0kgf.
 - DURABILITY: 10000 CYCLES.
 - ELECTRICAL PERFORMANCE,**
 - CURRENT RATING:5.0A
VOLTAGE RATING:5.0V
 - LLCR:
 - VBUS & GND PINS AND OTHER PINS: 40mA/PIN MAX.
 - SHIELD: 50mA/MAX.
 - LLCR MAX. CHANGE OF ALL PINS: 10mA.
 - INSULATION RESISTANCE: 100MΩ MIN
 - DIELECTRIC WITHSTAND VOLTAGE,AC 100V FOR 1 MINUTE.
 - ENVIRONMENTAL PERFORMANCE:**
 - OPERATING TEMPERATURE: -25°C~+85°C.
 - IR REFLOW:**
 - THE PEAK TEMPERATURE ON THE BOARD SHALL BE MAINTAINED FOR 10 SECONDS AT 260°C.

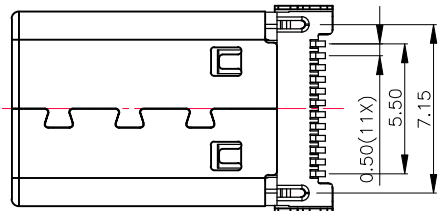
USB TYPE-C PIN ASSIGNMENTS

PIN NUMBER	SIGNAL NAME	PIN NUMBER	SIGNAL NAME
A1	GND	B12	GND
A2	SSTXp1	B11	SSRXp1
A3	SSTXn1	B10	SSRXn1
A4	Vbus	B9	Vbus
A5	CC1	B8	
A6	Dp1	B7	
A7	Dn1	B6	
A8		B5	
A9		B4	
A10		B3	
A11		B2	
A12	GND	B1	



CONNECTOR EDGE

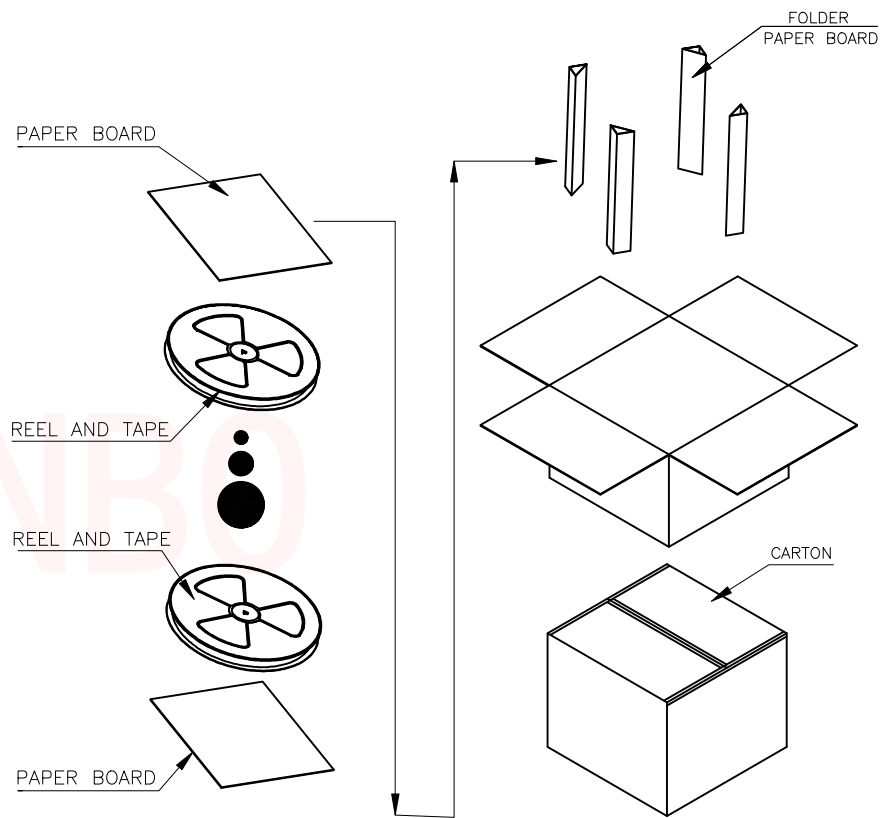
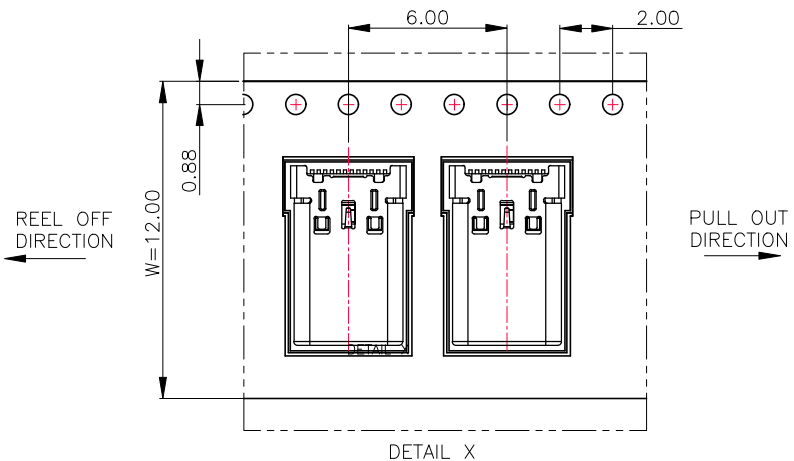
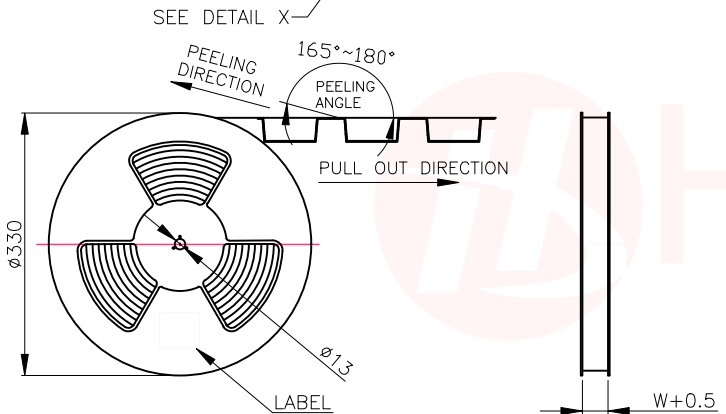
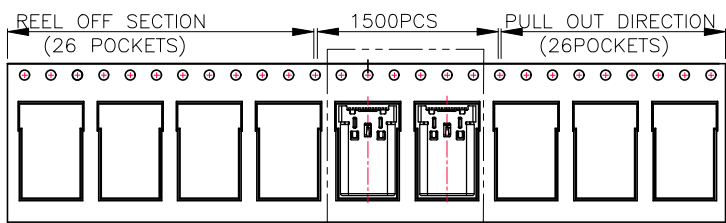
RECOMMENDED PCB LAYOUT(TOP VIEW)
TOLERANCE:±0.05



ITEM	P/N	HOUSING COLOR	CONTACTS	
			FUNCTIONAL AREA	SOLDER AREA
1	TC-002D	BLACK	Au:1u"	Sn 80u"
UNLESS OTHERWISE SPECIFIED TOLERANCES		东莞市汉博电子科技有限公司 DONGGUAN HANBO TECHNOLOGY CO., LTD		
DECIMALS: ANGLES:		TITLE	USB TYPE C SMT PLUG DIP SHELL	
X	±0.30	X	±2°	DWN xiong PART NO. TC-002D
X.X	±0.20	X.X	±1°	CHKD lee SCALE:1:1 UNIT: mm
X.XX	±0.10	APVD wang	SIZE: A4	SHEET:10F 1
CUSTOMER COPY				



REV.	ECN NO OR DESCRIPTION	REVISED	DATE



		REEL	CARTON
CONNECTOR (PCS)		1500	15000
UNLESS OTHERWISE SPECIFIED TOLERANCES		东莞市汉博电子科技有限公司 DONGGUAN HANBO TECHNOLOGY CO., LTD	
DECIMALS:	ANGLES:	TITLE USB TYPE C SMT PLUG DIP SHELL	
X :±0.30	X :±2°	DWN xiong	PART NO. TC-002D
X.X :±0.20	X.X :±1°	CHKD lee	SCALE:1:1 UNIT: mm
X.XX :±0.10		APVD wang	SIZE: A4 SHEET:1OF 1 REV: A4
CUSTOMER COPY			