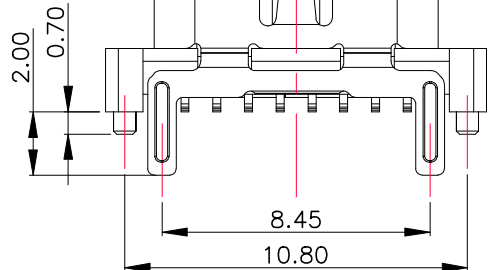
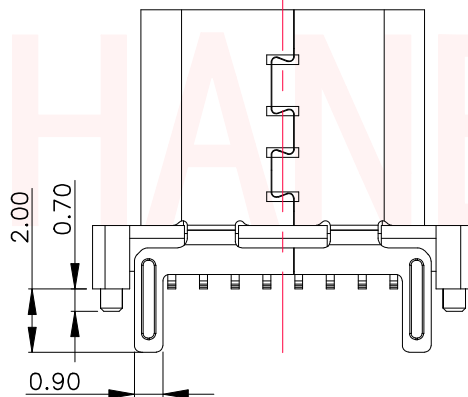
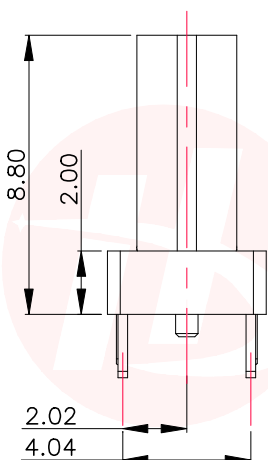
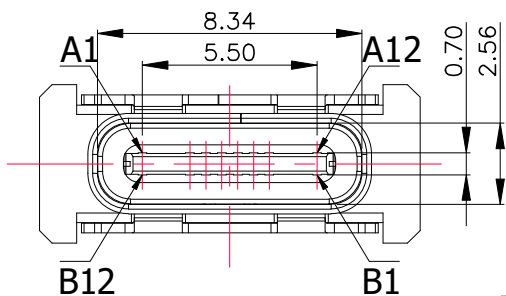
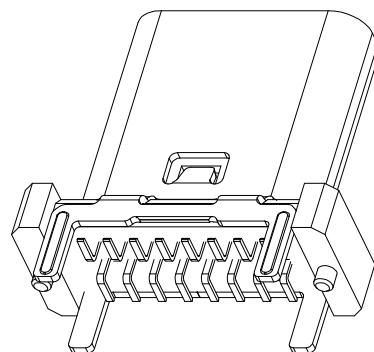




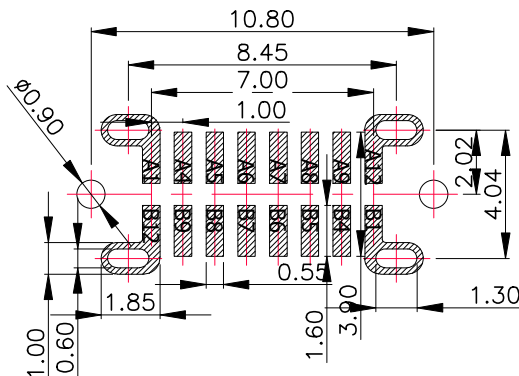
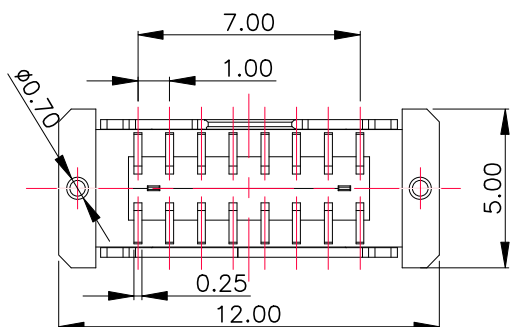
| | | | |
|------|-----------------------|---------|------|
| REV. | ECN NO OR DESCRIPTION | REVISED | DATE |
| | | | |

特性:

- 一、电气性能: ELECTRICAL
 1. 额定电流: 5.0A
 2. 接触阻抗: 40 MILLIOHMS MAX
 3. 耐电压: 100V AC / 1 mA MAX
 4. 绝缘阻抗: 150V DC/100 MEGA OHMS MIN
- 二、机械性能:
 1. 插入力: 5~20N 2. 拨出力: 8~20N
 3. 使用寿命: 10000次、拨出力 5N MIN
- 三、材料: MATERIAL
- 四、电镀: FINISH
 1. 端子: 接触点镀金1U"MIN
PIN脚焊接区域镀锡80U"MIN
 2. 外壳: 镀镍80U"MIN (盐雾48H)
- 五、电镀品需做粘锡测试: 粘锡面积达到95%以上。
- 六、SMT回流焊 (峰值260° C±5° C) 不能起泡、熔胶、变色不良 (变形在公差范围以内)
- 七、工作温度: -55° C~+85° C
- 八、盐雾测试: 通过48H在浓度为5±1%盐水的盐雾测试无生锈现象



| | | | | | | | | | | | |
|-----|-----|-----|------|------|----|----|------|------|-----|-----|-----|
| A1 | A2 | A3 | A4 | A5 | A6 | A7 | A8 | A9 | A10 | A11 | A12 |
| GND | | | VBUS | CC1 | D+ | D- | SBU1 | VBUS | | | GND |
| GND | | | VBUS | SBU2 | D- | D+ | CC2 | VBUS | | | GND |
| B12 | B11 | B10 | B9 | B8 | B7 | B6 | B5 | B4 | B3 | B2 | B1 |



| BOM | | | | |
|-----|-----------|----|----|---|
| 序号 | 名称 | 料号 | 用量 | 品名规格 |
| 1 | 外壳 | | 1 | Typec立插 外壳 SUS304 T=0.30mm |
| 2 | Molding 3 | | 1 | Typec立插 SMT 16PIN Molding C7025 LCP黑色 半成品 |
| 2.1 | Molding 1 | | 1 | Typec立插 SMT 16PIN Molding A C7025 LCP黑色 |
| 2.2 | Molding 2 | | 1 | Typec立插 SMT 16PIN Molding B C7025 LCP黑色 |
| 2.3 | 卡勾 | | 1 | Typec立插 16PIN 卡勾 SUS301 T=0.15mm |

UNLESS OTHERWISE SPECIFIED TOLERANCES

DECIMALS: ANGLES:

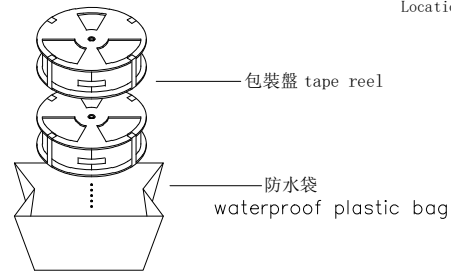
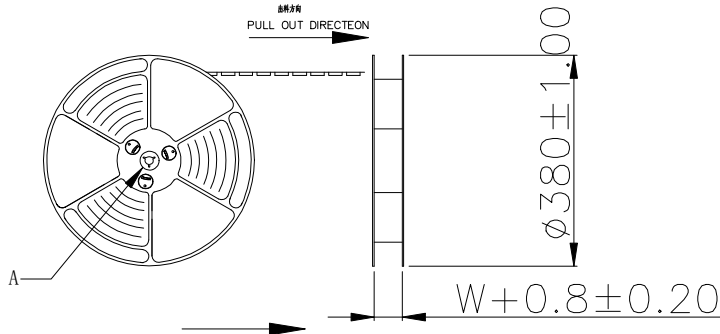
X :±0.35 X :±2°
X.X :±0.25 X.X :±1°
X.XX :±0.15

| | |
|---|-----------------------------------|
| 东莞市汉博电子科技有限公司 DONGGUAN HANBO TECHNOLOGY CO., LTD | |
| TITLE | TYPE C 16PIN 立贴 SMT H=8.8 |
| DWN | xiong PART NO. MC-118LS-H88 |
| CHKD | lee SCALE:1:1 UNIT: mm |
| APVD | wang SIZE: A4 SHEET:1OF 1 REV: A4 |

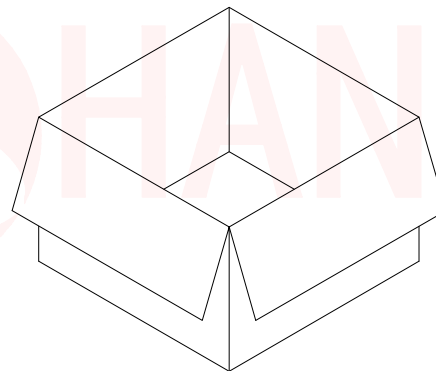
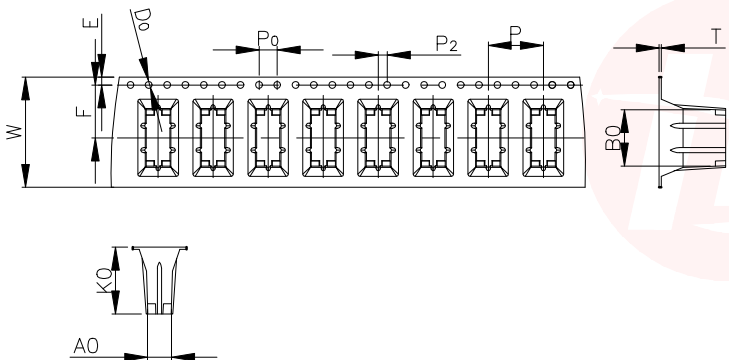
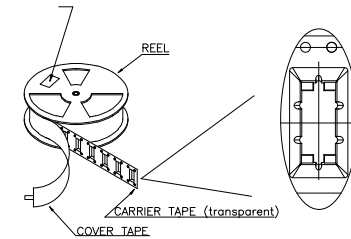
CUSTOMER COPY



| REV. | ECN NO OR DESCRIPTION | REVISED | DATE |
|------|-----------------------|---------|------|
| | | | |
| | | | |



at small positioning hole of the carrier tape side.
 標籤黏貼處 (朝捲裝包材的小定位孔一側)
 Location of label sticking (label)

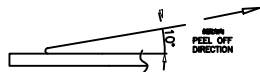
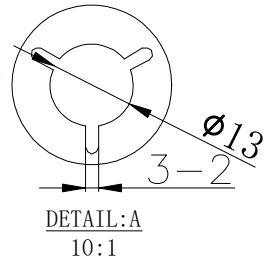
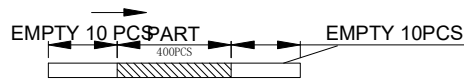


紙箱: 390mmX390mmX310mm

NOTE:
 1. 每捲包裝數量及每箱裝箱數量如左下表格。
 Packing q'ty of each reel & carton as below table shown.
 2. 將裝滿產品的卷盤放入紙箱並以膠帶封口
 Put reels in the carton and use adhesive tape to seal up.

NOTES

- 帶子引導長度
LEAD TAPE LENGTH
出料方向
PULL OUT DIRECTION
- 上帶剝力為: 0.1~1.3N(10.2gf~130gf)
PEELING OFF FORCE OF TOP TAPE: 0.1~1.3N(10.2gf~130gf)
出貨運輸過程中一定注意:
THIS REQUIREMENT SHOULD BE APPLIED AT SHIPMENT:
卷帶在運輸過程中不能散開
PEELING OFF SHOULD NOT BE ALLOWED DURING TRANSPORTATION



| | | |
|----|-------------------------|--------------------|
| 卷帶 | 規格: $\phi 380\text{mm}$ | 包裝數量: 600PCS |
| 紙箱 | 規格: 390mmX390mmX310mm | 包裝數量: 10盤(6000PCS) |

| | | | | | |
|---------------------------------------|-----------|---|---------------------------|-----------------------|--------------|
| UNLESS OTHERWISE SPECIFIED TOLERANCES | | 东莞市汉博电子科技有限公司 DONGGUAN HANBO TECHNOLOGY CO., LTD | | | |
| DECIMALS: | ANGLES: | TITLE | TYPE C 16PIN 立贴 SMT H=8.8 | | |
| X : ±0.35 | X : ±2° | DWN | xiong | PART NO. MC-118LS-H88 | |
| X.X : ±0.25 | X.X : ±1° | CHKD | lee | SCALE: 1:1 | UNIT: mm |
| X.XX : ±0.15 | | APVD | wang | SIZE: A4 | SHEET: 10F 1 |
| REV: A4 | | | | | |
| CUSTOMER COPY | | | | | |