

DUAL BEAM PHOTOELECTRIC DETECTOR

INSTRUCTION MANUAL

- SBT-30S
- SBT-40S
- SBT-60S
- SBT-80S
- SBT-100S

2 SUGGESTIONS FOR INSTALLATION 1



Ensure the sensors line of sight is free from any false alarm sources such as bushes, trees, etc. (Pay attention to these as they may change seasonally.)

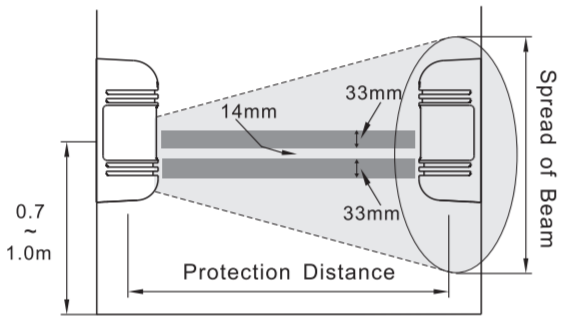
Ensure the sensors are mounted on a stable and firm fixing.

Ensure strong sunlight or car headlights do not shine directly on to the receiver. (Within $\pm 2^\circ$ from the optical axis is not recommended.)

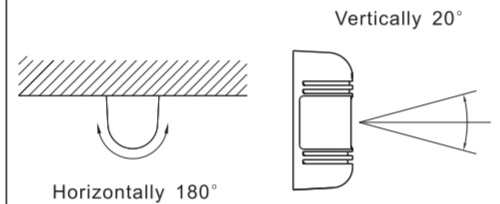
3 SUGGESTIONS FOR INSTALLATION 2

- Note that here the protection distances refers to the sheet below.
- Height of installation and protection distance

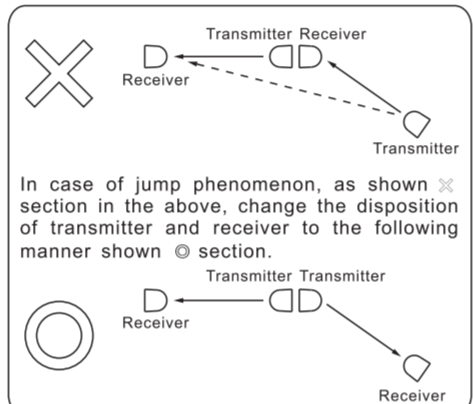
Model	Protection Distance	Spread of Beam
SBT-30S	30m	0.9m
SBT-40S	40m	1.2m
SBT-60S	60m	1.8m
SBT-80S	80m	2.4m
SBT-100S	100m	3.0m



Direction of installation



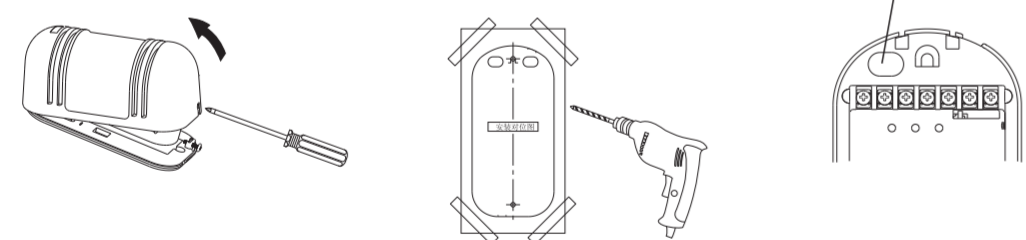
Because angle of reflection mirror is adjustable in $\pm 90^\circ$ horizontally and $\pm 10^\circ$ vertically, the unit can be installed in various directions.



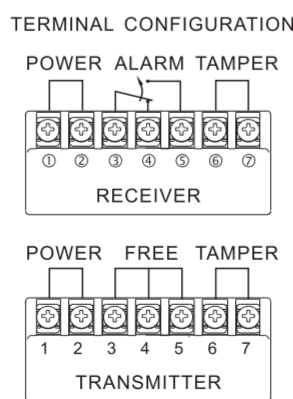
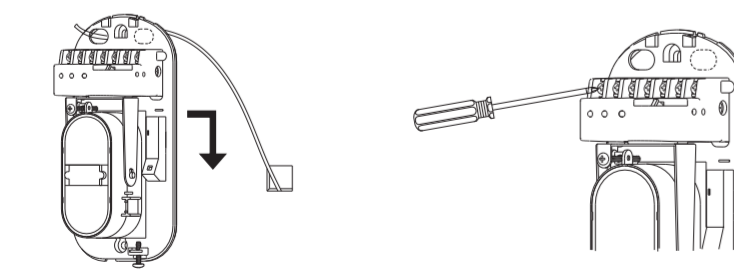
4 INSTALLATION

WALL MOUNT

- Loosen screw holding cover and remove the cover.
- Attach the mounting pattern paper to the wall, mark the installation holes, and make guide holes.
- Break knock-out and pull wire through.



- Attach the unit to the wall.
- Connect wires to the terminal.

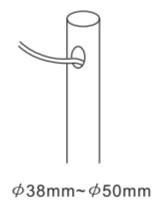


Wiring distance

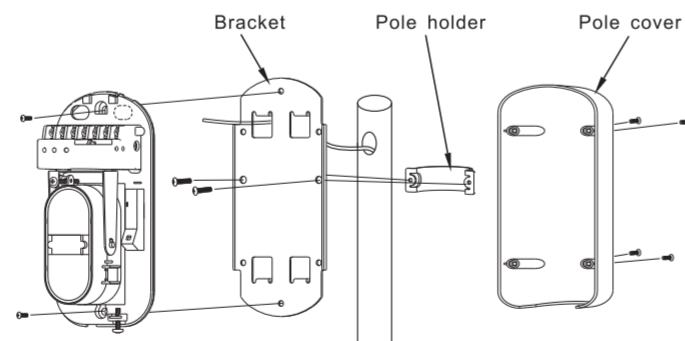
Model	SBT-30S		SBT-40S		SBT-60S		SBT-80S/100S	
	12V	24V	12V	24V	12V	24V	12V	24V
Wire diameter								
0.3mm ($\phi 0.6$)	280m	2400m	270m	2300m	250m	2100m	190m	1600m
0.5mm ($\phi 0.8$)	500m	4400m	477m	4200m	430m	3800m	350m	3000m
0.75mm ($\phi 1.0$)	780m	7000m	747m	6700m	680m	6100m	546m	4900m
1.25mm ($\phi 1.2$)	1120m	10000m	1074m	9570m	980m	8700m	784m	7000m

POLE MOUNT

- Pull the wire through the wire hole of the pole.

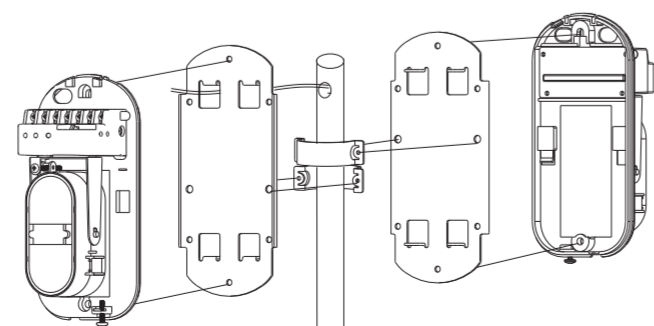


- Attach the bracket to the pole with the pole holder.

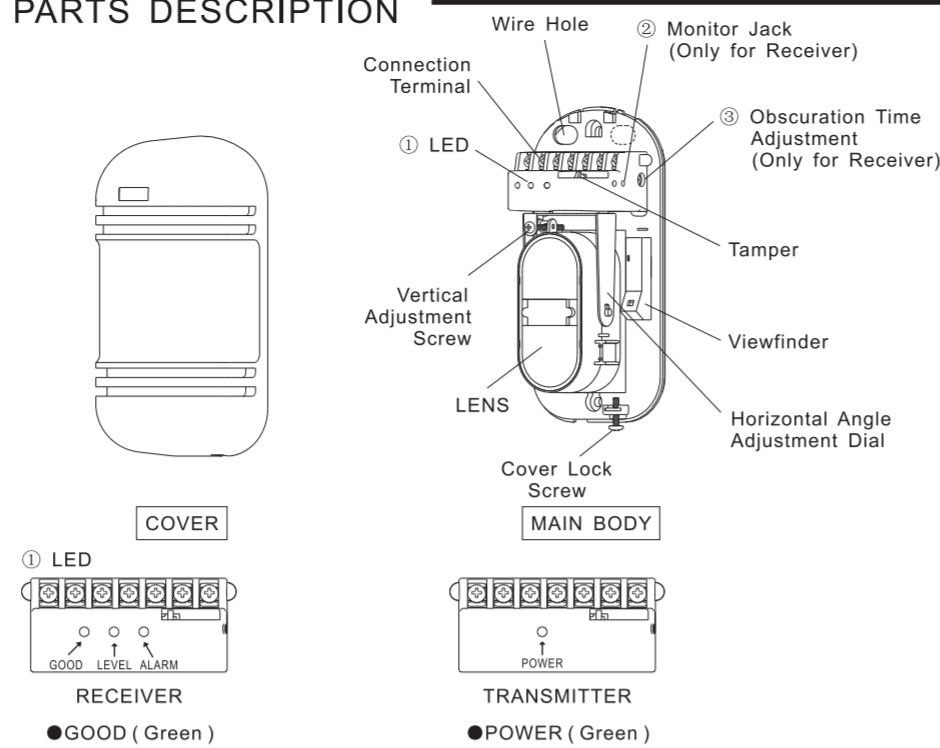


Pole mount back-to-back

Each bracket to be reversely attached.



1 PARTS DESCRIPTION

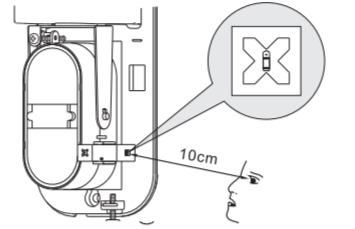
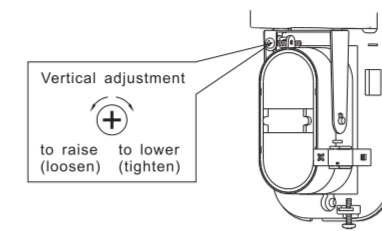
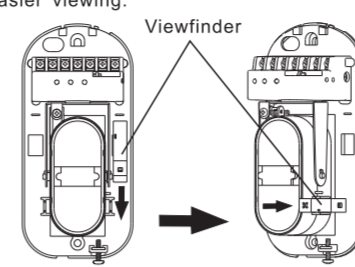


- GOOD (Green) On when optically aligned, Off when optically not aligned.
- LEVEL (Red) Intensity varies with signal.
- ALARM Alarm indication lamp.
- Monitor jack: Should be used for making the optimum optical axis adjustment (Refer to 'how to use the monitor jack').
- Obscuration time adjustment: To be used for setting the obscuration time (Refer to 'adjustment of obscuration time').

5 ADJUSTMENT OF OPTICAL AXIS

- It is important to ensure correct optical alignment between the transmitter and receiver for proper operation.

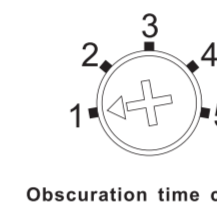
- Turn on the power supply after un/installation. Place the viewfinder on either right or left hand side of the lens whichever makes easier viewing.
- Look through the viewfinder as shown below.



NOTE: After completion of optical adjustment, ensure that both filters on the receiver are replaced to their original position behind the mirrors.

6 ADJUSTMENT OF OBSCURATION

Set the obscuration time of the receiver by adjusting the obscuration time control to the required setting according to the sketch beside. The obscuration time should be set lower to detect faster moving targets, however care should be taken to note the environmental conditions as the obscuration time should be set higher to ignore conditions where there are a lot of birds or wind blown material.



Obscuration time control

Scale 1	Scale 2	Scale 3	Scale 4
fast running at full speed (6.9m/s)	walking with quick steps (1.2m/s)	normal walking (0.7m/s)	slow action (0.3-0.5m/s)

7 CONFIRMATION OF OPERATION

After completion of the installation, confirm correct operation by suitable walk test. Refer to the following LED indications during the walk test. Confirm tamper operation prior to replacing covers. Confirm system operation with covers replaced.

	Conditions	Indication
Transmitter	Transmitting	Green LED is on
Receiver	Watching	Alarm indicator is off
	Alarm	Alarm indicator is on

NOTE: Conduct a Walk Test at least once a year

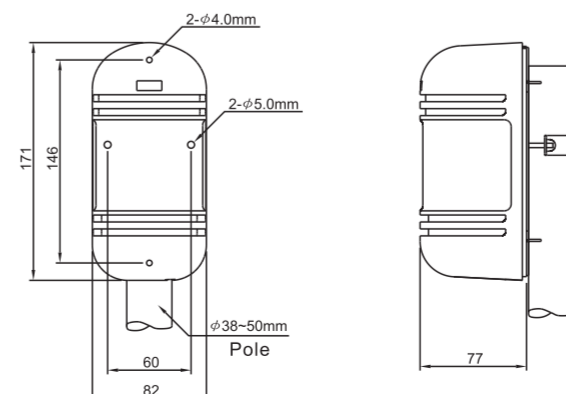
8 TROUBLE SHOOTING GUIDE

Q Symptom	Possible cause	A Remedy
Indication lamp of Transmitter does not light.	Improper voltage of power supply	Check power supply and wiring
Power supply indication Lamp of Receiver does not light.	Improper voltage of power supply	Check power supply and wiring
Alarm indication lamp does not light even when the beams are intercepted.	① Infrared beam from Transmitter is reflected on another object and sent into the Receiver. ② Two beams are not intercepted at the same time. Shorter obscuration time than that set on the obscuration control.	① Remove the reflecting object or change the place for installation and the optical axis direction. ② Check two beams to intercept at the same time. Adjust obscuration time setting to be shorter.
Although alarm LED lights when the beams are intercepted, alarm does not ring.	① Broken wires or short on the signal wires. ② Melted bridge on the signal connection (Wrong current on the signal wires)	① Check the wiring. ② It needs to be repaired.
Alarm LED on the Receiver does not turn off.	① Inadequate optical axis. ② Shading objects between the Transmitter and the Receiver. ③ Dirty cover or dirty reflection mirror of the Transmitter and/or Receiver.	① Readjust the optical axis. ② Remove the shading objects. ③ Clean optics with soft cloth.
Intermittent alarm.	① Bad wiring connection. ② Change of supply voltage. ③ Shading objects moving by wind between the Transmitter and the Receiver. ④ Unstable installation of the sensor unit. ⑤ Incomplete optical axis adjustment. ⑥ Birds and other large flying objects intercept the beam.	① Check the wiring connection. ② Check the voltage (for stabilized supply voltage.) ③ Remove the shading objects or change the place for installation. ④ Fix steadily. ⑤ Readjust the optical axis. ⑥ Readjust the obscuration time to be longer or reposition.

9 SPECIFICATION

Model	SBT-30S	SBT-40S	SBT-60S	SBT-80S	SBT-100S
Alarm Distance	30m	40m	60m	80m	100m
Max reaching distance	350m	450m	650m	900m	1100m
Beams NO.	2 beams				
Detecting Way	2 beams Intercepted simultaneously				
Light Source	IR LED				
Response Time	50~700ms				
Alarm Output	FORM C (NO/NC changeable), Contact ratings DC 30V 0.5A max.				
Supply Voltage	DC10.5~28V (non-polarity)				
Recommend supply Voltage	DC 12V or 24V (non-polarity)				
Supply Current	40mA	45mA	55mA	65mA	65mA
Operation Temperature Range	-25°C ~ +55°C				
Tamper Output	Contact Output 1b DC 30V 0.05A max				
Optic axis adjust angle (Horizontal)	180° ($\pm 90^\circ$)				
Optic axis adjust angle (Vertical)	20° ($\pm 10^\circ$)				
Sight	Removable type				
Strategy to dew/frost	Ultrasonic structure				
Other additional functions	Receiving light Indicate, OK Indicate, Testing Terminal				
Material	PC front cover; ABS Back Cover				
Dimensions (H*W*D)	171mm*82mm*77mm				
Weight	Around 600g (Transmitter and Receiver)				

10 OUTLINE DIMENSION



双光束主动红外入侵探测器 使用说明书

SBT-30S
SBT-40S
SBT-60S
SBT-80S
SBT-100S

2 安装上的注意事项1

- 请避免在以下场合设置本探测器

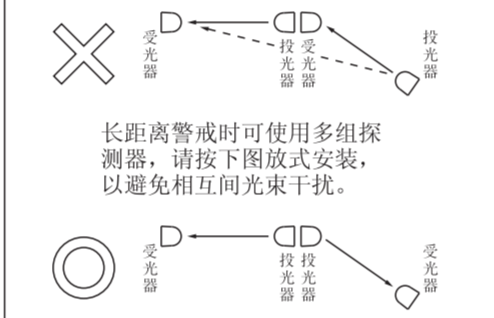
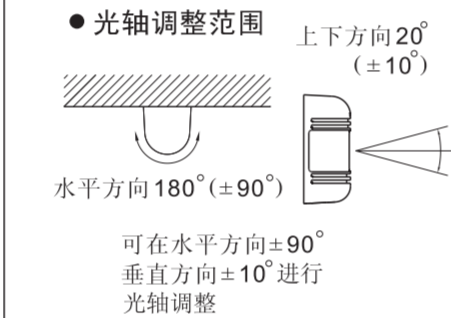
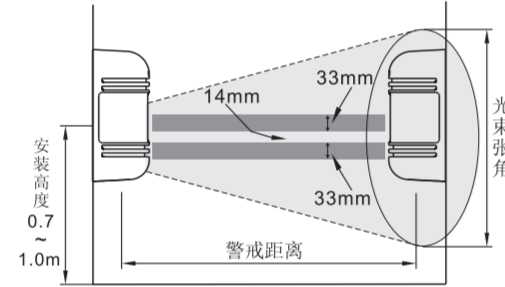


确保在探测器的视线上没有任何误报源，例如灌木、树木等。
确保在探测器被安装在一个稳定和坚固的装置物上面。
确保强力阳光或者汽车的车灯不直接照射到受光器上。(注意这些物体可能随季节而改变)

3 安装上的注意事项2

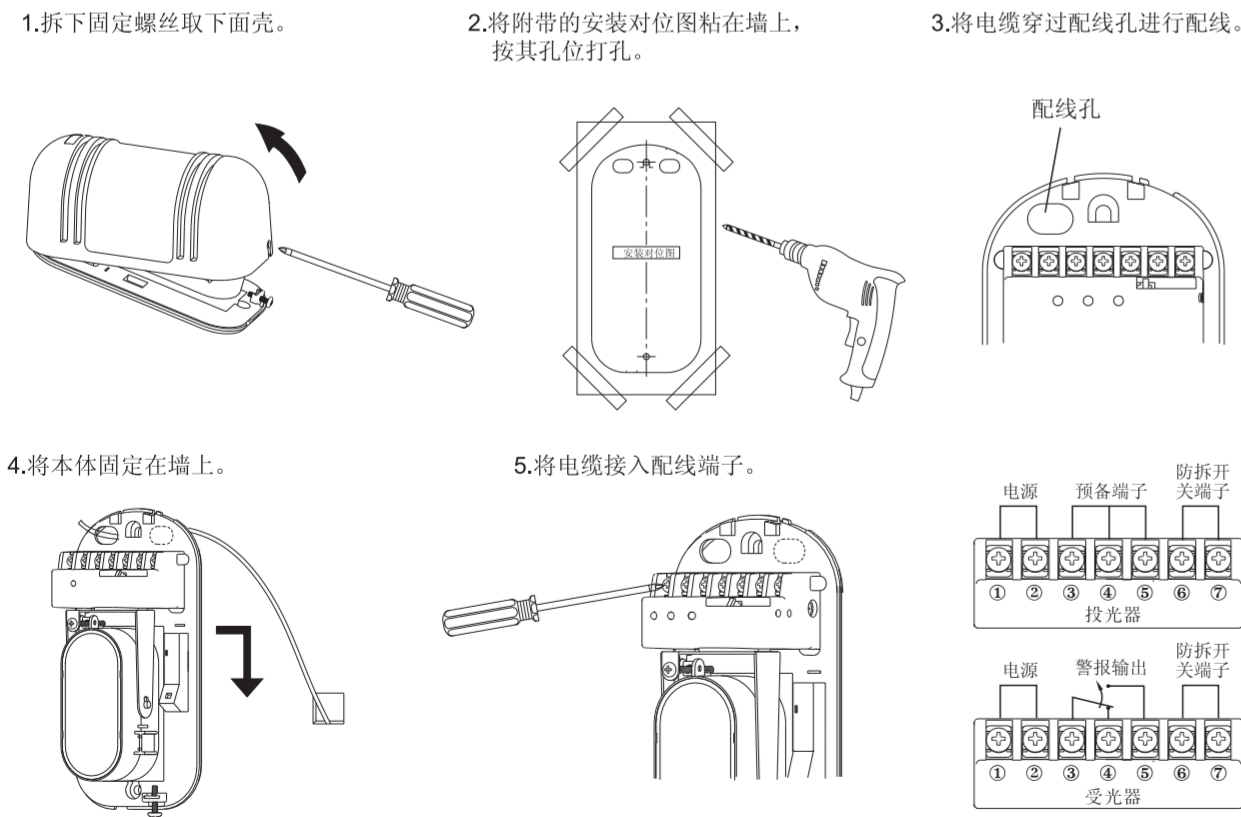
- 安装高度及警戒距离

型号	警戒距离	光束张角
SBT-30S	30m	0.9m
SBT-40S	40m	1.2m
SBT-60S	60m	1.8m
SBT-80S	80m	2.4m
SBT-100S	100m	3.0m



4 安装方法

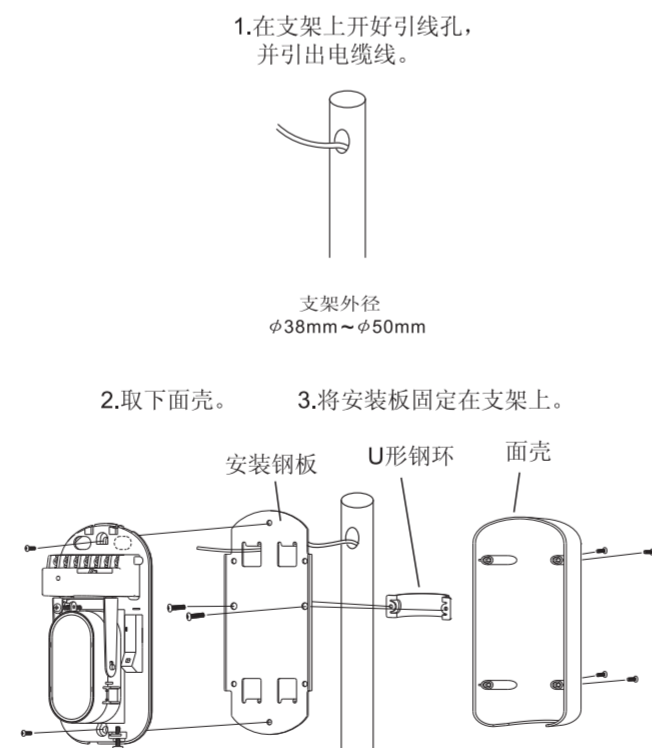
- 墙壁安装方式



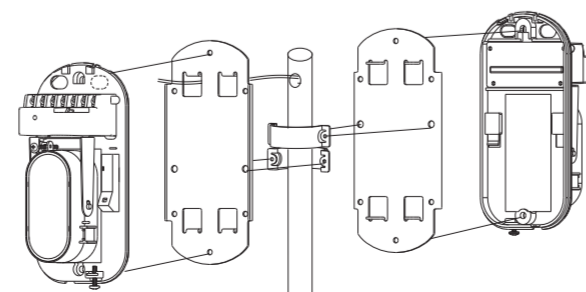
6. 配线距离

规格	SBT-30S		SBT-40S		SBT-60S		SBT-80S/100S	
	12V	24V	12V	24V	12V	24V	12V	24V
线径								
0.3mm ² (φ0.6)	280m	2400m	270m	2300m	250m	2100m	190m	1600m
0.5mm ² (φ0.8)	500m	4400m	477m	4200m	430m	3800m	350m	3000m
0.75mm ² (φ1.0)	780m	7000m	747m	6700m	680m	6100m	546m	4900m
1.25mm ² (φ1.2)	1120m	10000m	1074m	9570m	980m	8700m	784m	7000m

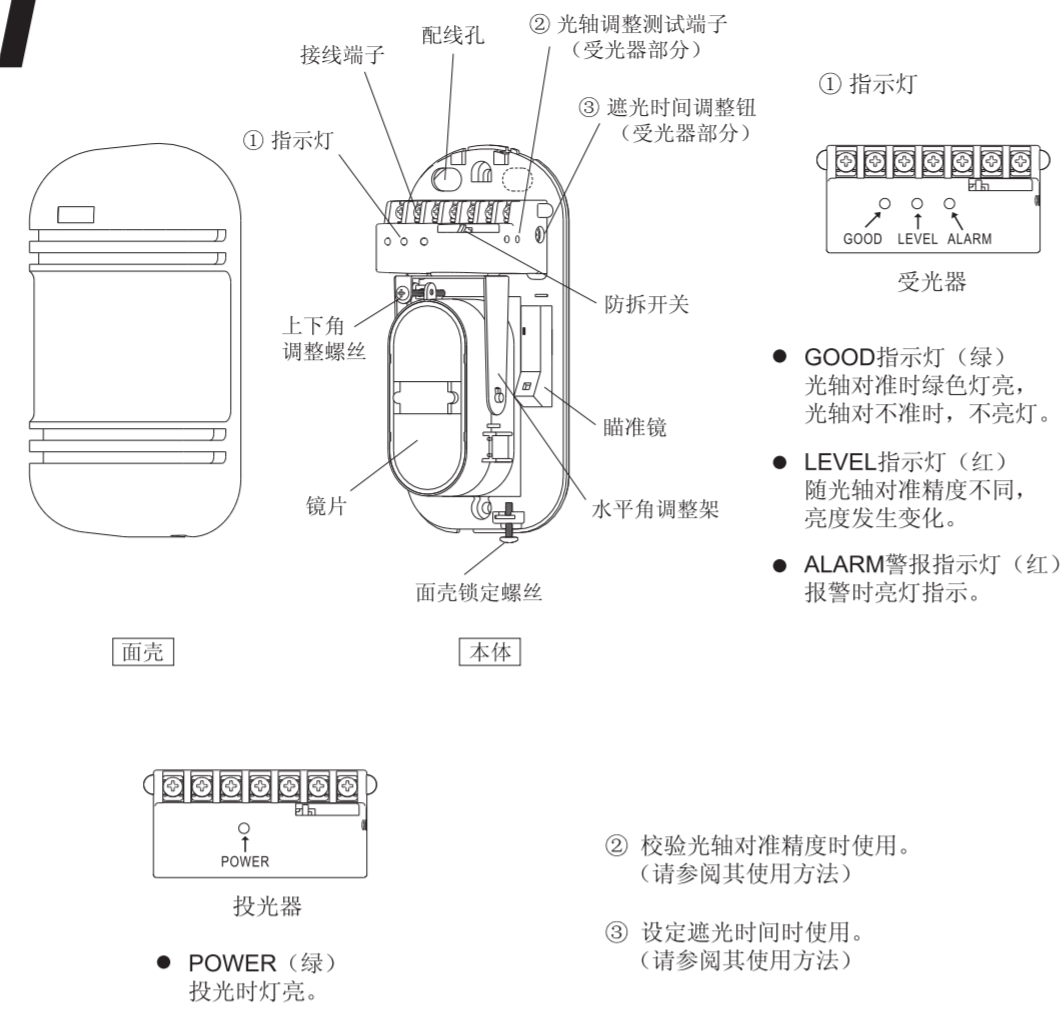
- 固定安装方式



● 背对背安装时参考下图



1 部件名称

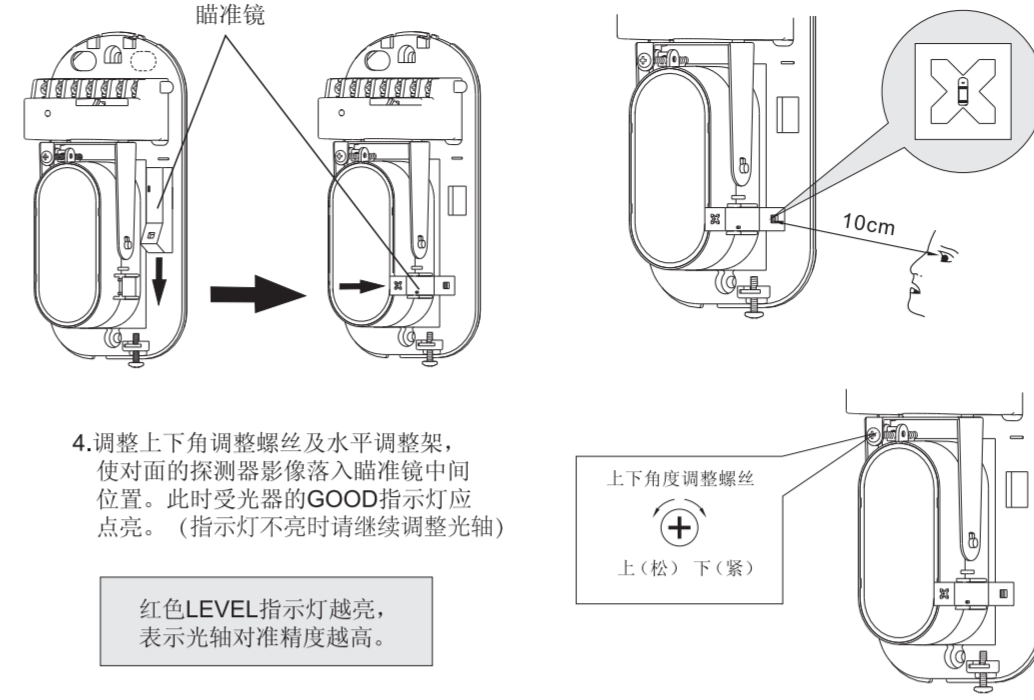


- GOOD指示灯 (绿) 光轴对准时绿色灯亮, 光轴对不准时, 不亮灯。
- LEVEL指示灯 (红) 随光轴对准精度不同, 亮度发生变化。
- ALARM报警指示灯 (红) 报警时亮灯指示。

- POWER (绿) 投光时灯亮。
- ② 校验光轴对准精度时使用。(请参阅其使用方法)
- ③ 设定遮光时间时使用。(请参阅其使用方法)

5 光轴调整

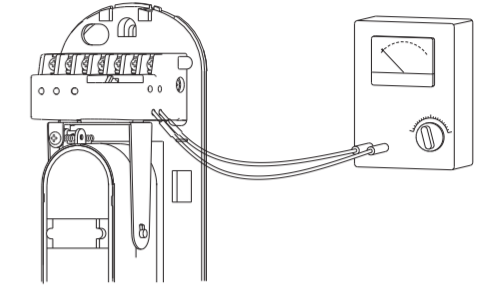
1. 取下面壳后输入电源。
2. 将瞄准镜取下, 并照图装配。
3. 距离瞄准镜10cm左右, 在右边观察瞄准效果。



红色LEVEL指示灯越亮, 表示光轴对准精度越高。

- 最佳之光轴调整方法—量度测试孔之输出

1. 将测试笔插入测试孔位 (注意“+”, “-”极性)
2. 先调水平角度, 直至测试孔电压输出最大, 然后作垂直调整, 方法与水平角度相同。
3. 如果2.3V或以上的电压不能获得, 则投光器及受光器要再作调整。



6 遮光时间的调整

通过旁边的草图得到要求的设置值, 调节“遮光时间的调整”来设置受光器的遮光时间。遮光时间必须设置成较小值以便检测较快的移动目标。然而应该考虑各种环境情况, 比如当有鸟或者被风吹动的物体时, 遮光时间应该设置为较大值来忽略这些情况。



7 动作确认

在完成安装后, 通过恰当的步行测试来确认运行正常。在步行测试时参考下列指示灯。安装面罩前确认防护功能运作正常。盖面罩后确认系统运作正常。

	状态	表示
投光器	投光时	POWER指示灯亮
受光器	警戒时	GOOD和LEVEL指示灯亮
	报警时	ALARM报警指示灯亮

注意: 步行测试至少每年进行一次

8 异常时的检查

故障现象	可能原因	维修对策
投光器指示灯不亮	电源电压不合适	检查电源和连线
受光器指示灯不亮	电源电压不合适	检查电源和连线
光线被遮断时报警指示灯不亮	① 来自于投光器的红外光束被另一个物体反射进入受光器 ② 两个光束没有同时被遮断 ③ 遮断时间小于遮断控制设定的时间	① 移开反射物体或者改变安装位置和光轴方向 ② 检查两个光束被同时遮断。 ③ 将遮断时间设置调整到较短值
光线被遮断时虽然报警指示灯亮, 但报警铃不响	① 信号线开路或者短路 ② 在信号连接端有桥接 (信号线上有异常的电流)	① 检查连线 ② 需要返修
在受光器上的报警灯常亮不熄灭	① 光轴调整不恰当 ② 在投光器和受光器之间有障碍物。 ③ 投光器和受光器的外罩或者反射镜上有污物	① 重新调整光轴 ② 移开障碍物 ③ 用软布清洁光学部分
断断续续报警	① 不良配线连接 ② 供电电压变化 ③ 在投光器和受光器有被风吹动的障碍物 ④ 安装不稳固 ⑤ 未完成光轴调整 ⑥ 鸟或者其他大的飞行物遮断光束	① 检查配线连接 ② 检查供电电压 (稳定的供电电压) ③ 移开障碍物或者改变安装位置 ④ 安装牢固 ⑤ 重新调整光轴 ⑥ 重新调整遮断时间, 把时间调长或重新设置

9 技术参数

型号	SBT-30S	SBT-40S	SBT-60S	SBT-80S	SBT-100S
警戒距离	30m	40m	60m	80m	100m
最大到达距离	350m	450m	650m	900m	1100m
光束数	2束				
探测方式	2光束同时遮断检知式				
光源	红外LED				
感应速度	50~700ms				
报警输出	FROM C (NO/NC可转换), 接点容量DC 30V 0.5Amax.				
电源电压	DC10.5~28V (无极性)				
推荐工作电压	DC 12V或者24V (无极性)				
消耗电流(DC 12V)	40mA	45mA	55mA	65mA	65mA
使用温度范围	-25°C~+55°C				
防拆输出	接点输出1b DC 30V 0.05A max				
光轴调整角度 (水平)	180°(±90°)				
光轴调整角度 (垂直)	20°(±10°)				
瞄准器	可拆卸式				
结露、霜对策	超声波结构				
其他附加功能	受光指示、OK指示、测试端子				
材质	面罩PC树脂; 底壳ABS树脂				
外形尺寸	171mm×82mm×77mm				
重量	约600g (受光器+投光器)				

10 外形尺寸图

